

# Sapphire 2 (C244)

## PARTS CATALOG



First edition, January 2002

Ricoh Company, LTD.

**Sapphire 2 (C244)**

**PARTS CATALOG**

This catalog gives the numbers and names of parts on this machine.

**CONTENTS**

Sapphire 2	(C244)
Platen Cover Type 1018	(B406)
Document Feeder	(C600)

Sapphire 2 (C244)

# Sapphire 2 (C244)

## PARTS CATALOG

This catalog gives the numbers and names of parts on this machine.

### CONTENTS

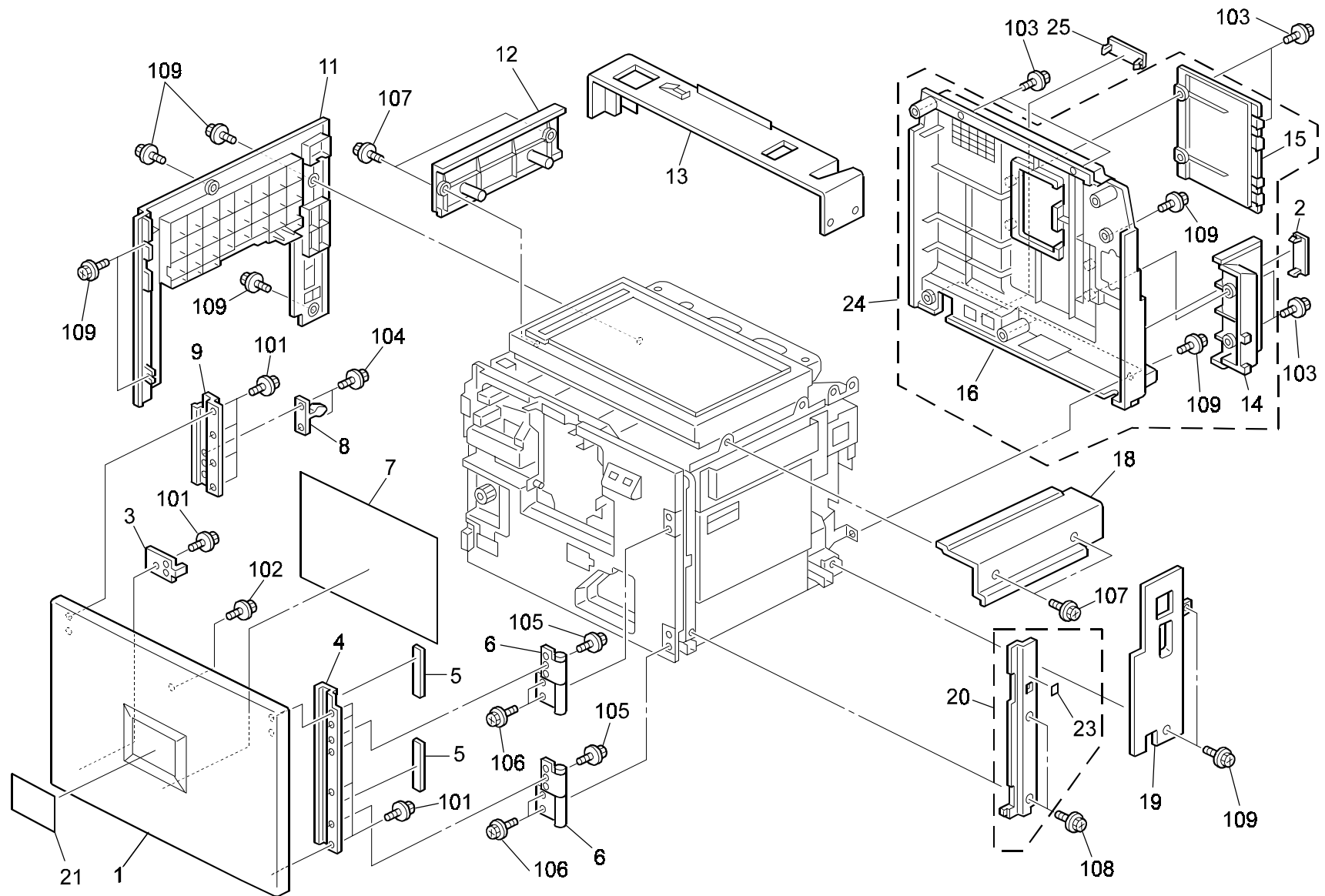
1.EXTERIOR 1 (C244).....	2	18.Paper Exit Section 2 (C244).....	36
2.EXTERIOR 2 (C244).....	4	19.Paper Exit Section 3 (C244).....	38
3.OPERATION PANEL (C244) .....	6	20.Delivery Table 1 (C244) .....	40
4.FRAME SECTION 1 (C244).....	8	21.Drum Unit 1 (C244) .....	42
5.FRAME SECTION 2 (C244).....	10	22.Drum Unit 2 (C244) .....	44
6.Drive Section 1 (C244) .....	12	23.Drum Unit 3 (C244) .....	46
7.Drive Section 2 (C244).....	14	24.Drum Unit 4 (C244) .....	48
8.Drive Section 3 (C244).....	16	25.Drum Unit 5 (C244) .....	50
9.Paper Feed Section 1 (C244).....	18	26.Scanner Unit 1 (C244).....	52
10.Paper Feed Section 2 (C244).....	20	27.Scanner Unit 2 (C244).....	54
11.Paper Feed Section 3 (C244).....	22	28.Scanner Unit 3 (C244).....	56
12.Paper Feed Section 4 (C244).....	24	29.Plotter Unit 1 (C244).....	58
13.Paper Feed Section 5 (C244).....	26	30.Plotter Unit 2 (C244).....	60
14.Pressure Cylinder 1 (C244).....	28	31.Plotter Unit 3 (C244).....	62
15.Pressure Cylinder 2 (C244).....	30	32.Plotter Unit 4 (C244).....	64
16.Pressure Cylinder 3 (C244).....	32	33.Master Eject 1 (C244).....	66
17.Paper Exit Section 1 (C244).....	34	34.Master Eject 2 (C244).....	68
		35.Master Eject 3 (C244).....	70

January ,25 ' 2002

## CONTENTS (Continued)

37.ELECTRICAL SECTION 2 (C244) .....	74
38.MPU BOARD (C244).....	76
39.I/O CONTROL BOARD (C244) .....	82
40.DECALS AND DOCUMENTS (C244) .....	86
41.SPECIAL TOOLS (C244) .....	88
<b>PARTS INDEX .....</b>	<b>91</b>

# 1.EXTERIOR 1 (C244)

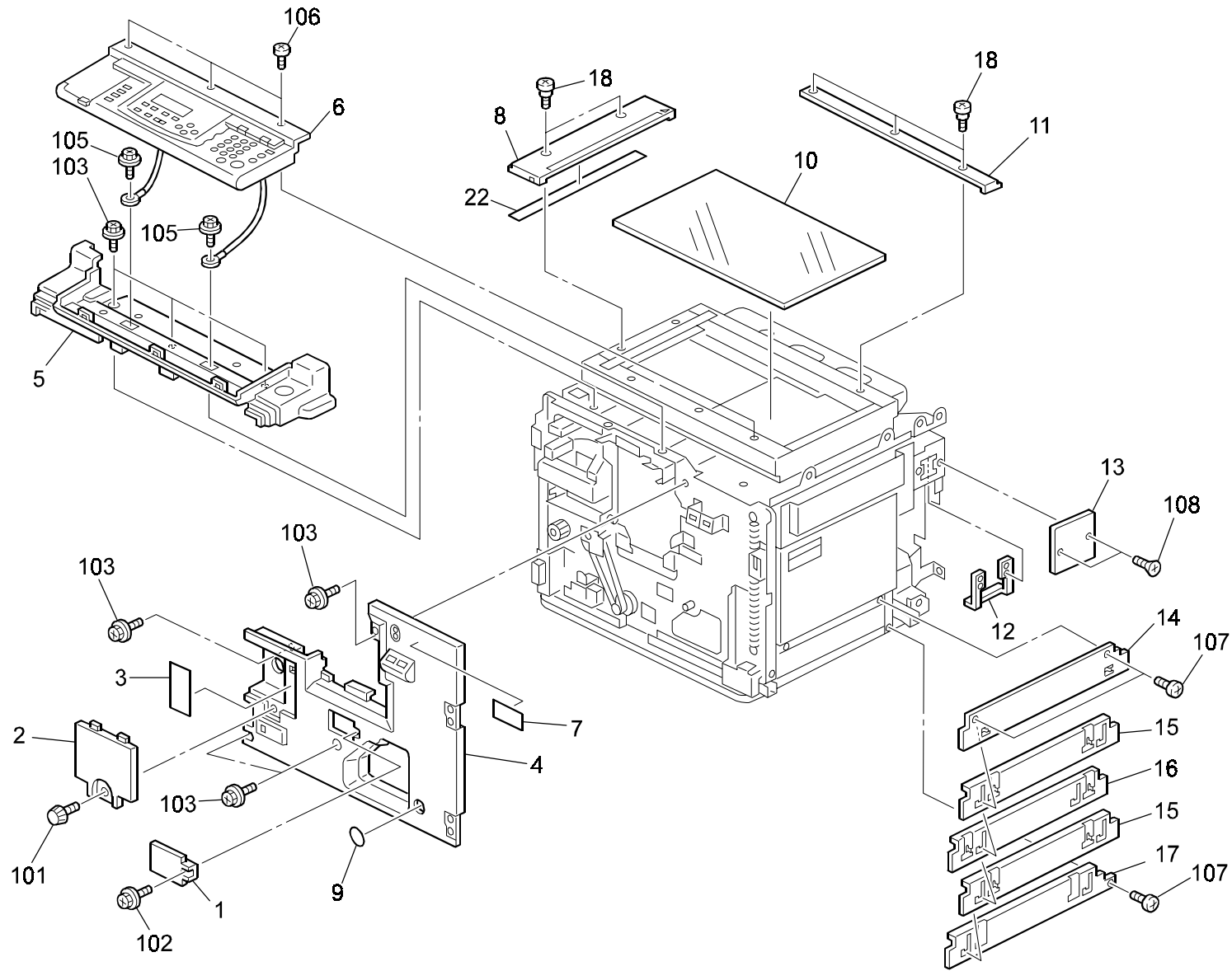


## 1.EXTERIOR 1 (C244)

Index No.	Part No.	Description	Q'ty Per Assembly
1	C239 1253	Door Cover	1
2	C239 2454	Cap - Paper Bank	1
3	C229 1264	Safety Switch Bracket	1
4	C229 1258	Door Support Plate	1
5	C229 1254	Cushion - Front Door	2
6	C229 1260	Door Hinge Ass'y	2
7	C229 1350	Operation Sheet	1
8	A659 1272	Door Catch	1
9	C229 1259	Door Catch Bracket	1
11	C239 1276	Left Cover	1
12	C239 1297	Left Scanner Cover	1
13	C239 1295	Upper Rear Cover	1
14	C239 1291	Interface Control Board Cap	1
15	C239 1290	Control Board Guard Cap	1
16	C239 1280	Rear Cover	1
18	C239 1296	Right Scanner Cover	1
19	C239 1270	Rear Right Cover	1
20	C239 1266	Front Right Cover Ass'y	1
21	C244 1340	Decal - Emblem JP8500	1
21	C244 1341	Decal - Emblem 5490+	1
21	C244 1342	Decal - Emblem 1395+	1
21	C244 1343	Decal - Emblem CP490+	1
21	C244 1345	Decal - Emblem SD650	1
23	C239 1354	Decal Paper Feed	1
24	C239 1274	Rear Cover Ass'y	1
25	C239 1293	Paper Bank Connector Cap	1

Index No.	Part No.	Description	Q'ty Per Assembly
101	0450 4008B	Tapping Screw - 4x8	
102	0450 4010B	Tapping Screw - 4x10	
103	0450 3008H	Tapping Screw - M3x8	
104	0453 3006B	Tapping Screw - M3x6	
105	0451 4008B	Philips Tapping Screw - M4x8	
106	0451 4010B	Tapping Screw - 4x10	
107	0451 3008H	Tapping Screw - M3x8	
108	0451 4006H	Tapping Screw - M4x6	
109	0451 4008H	Tapping Screw - 4x8	

## 2.EXTERIOR 2 (C244)



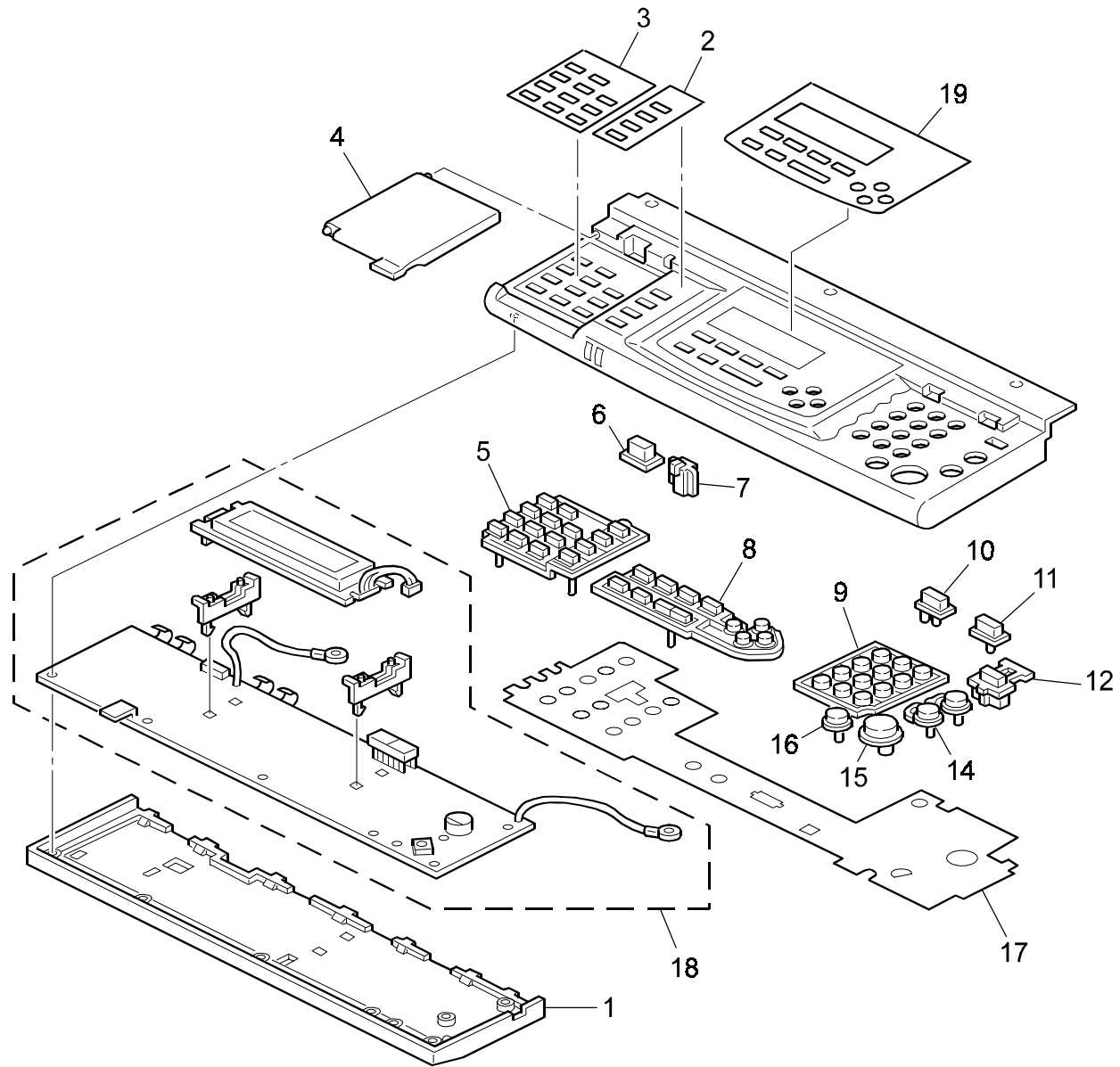


## 2.EXTERIOR 2 (C244)


Index No.	Part No.	Description	Q'ty Per Assembly
1	C229 1289	Small Cap	1
2	C229 1288	Knob Cover - Cylinder Cleaning	1
3	C239 1356	Decal- Cylinder Operation	1
4	C229 1299	Inner Cover	1
5	C239 1265	Lower Panel Cover	1
6	C244 1456	Operation Panel Ass'y - NA	1
6	C244 1457	Operation Panel Ass'y - EU	1
7	C233 1290	Decal - Caption LED	1
8	B024 1700	Left Scale	1
9	C229 1294	Inner Cover Seal	1
10	A250 1752	Exposure Glass	1
11	B024 1701	Inner Back Scale	1
12	A030 1339	Plate Nut - Key Counter	1
13	C239 2455	Key Counter Cover	1
14	C239 2766	Upper Shield Plate	1
15	C229 2764	Lower Shield Plate A	1
16	C229 2765	Lower Shield Plate B	1
17	C229 2763	Lower Shield Plate	1
18	A193 1759	Stepped Screw	1
22	A193 1752	Left Scale Guide	1

Index No.	Part No.	Description	Q'ty Per Assembly
101	0804 6058	Knob Screw	
102	0450 3008W	Philips Tapping Screw - M3x8	
103	0451 4008H	Tapping Screw - 4x8	
104	0451 4006B	Tapping Screw - 4x6	
105	0451 3006B	Tapping Screw - M3x6	
106	0353 0040Z	Binding Head Screw M3x4 (100pcs)	
107	0453 4006H	Tapping Screw - M4x6	
108	0323 0100Z	Philips Sunken Head Screw - M3x10	

### 3.OPERATION PANEL (C244)

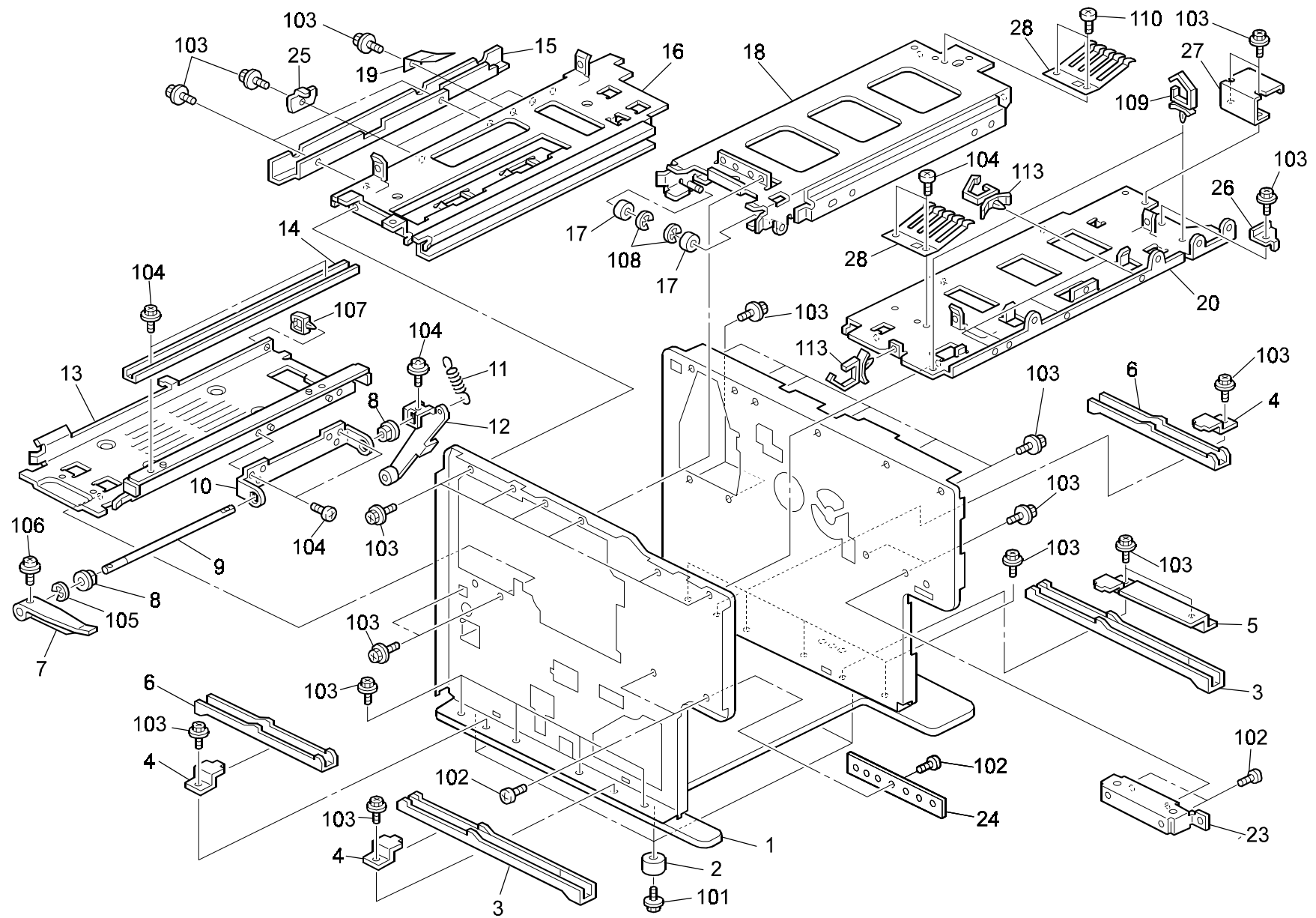


### 3.OPERATION PANEL (C244)

Index No.	Part No.	Description	Q'ty Per Assembly
*	C244 1456	Operation Panel Ass'y - NA	1
*	C244 1457	Operation Panel Ass'y - EU	1
1	C239 1473	Operation Panel Lower Case	1
2	C244 1512	Sheet - On Line - NA	1
2	C244 1515	Sheet - On Line - EU	1
3	C244 1513	Behind Sheet - NA	1
3	C244 1516	Behind Sheet - EU	1
4	C239 1472	Cover Behind	1
5	C239 1490	Key - Top Behind	1
6	C239 1488	Key - Top Initialize	1
7	C229 1474	LED Display	1
8	C239 1489	Key - Top Display Monitor	1
9	C239 1484	Key - Top 10 Key	1
10	C239 1487	Key - Top Block Diagram	1
11	C239 1486	Key - Top Clear Modes	1
12	C239 1485	Key - Top Contenance	1
14	C239 1482	Key - Top Start	1
15	C229 1480	Key - Top Start	1
16	C239 1481	Key - Top Stop	1
17	C229 1509	Dust Protection Sheet	1
18	C235 5160	Operation Panel Board	1
19	C244 1511	Sheet - Display Board Monitor - NA	1
19	C244 1514	Sheet - Display Board Monitor - EU	1
			

Index No.	Part No.	Description	Q'ty Per Assembly

# 4.FRAME SECTION 1 (C244)

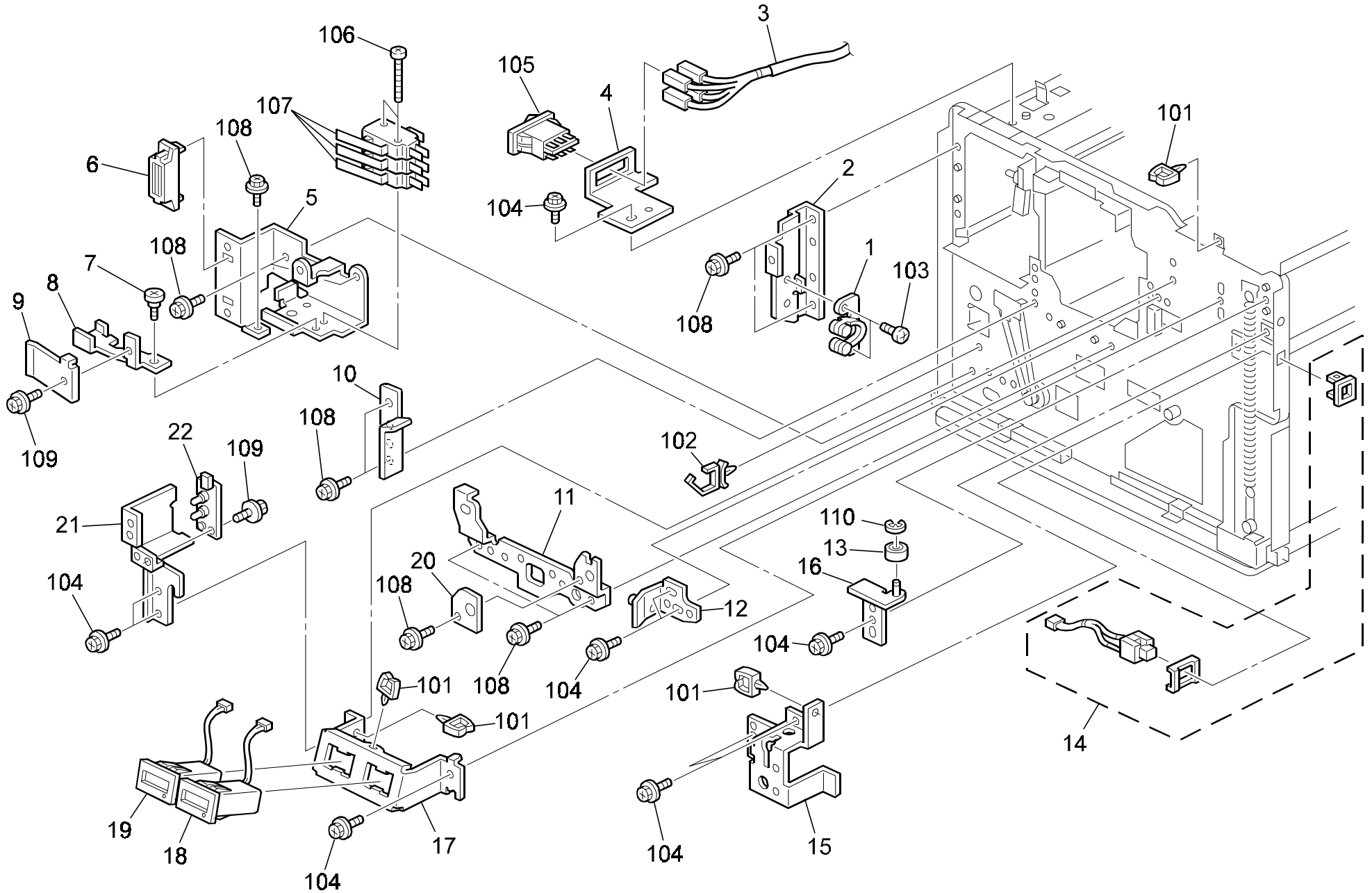


#### 4.FRAME SECTION 1 (C244)

Index No.	Part No.	Description	Q'ty Per Assembly
1	C229 1050	Base	1
2	C229 1096	Stand M28	1
3	C229 1070	Grip Plate - Long	1
4	C229 1072	Grip Guide Bracket	1
5	C229 1073	Right Grip Cover - Inner Rear	1
6	C229 1071	Grip Plate - Short	1
7	C236 3978	Exit Pawl	1
8	5053 0223	Bushing - 8mm	1
9	C229 3977	Paper Exit Pawl Shaft	1
10	C229 3973	Paper Exit Pawl Bracket	1
11	C229 3975	Paper Exit Pawl Spring	1
12	C229 3968	Paper Exit Pawl Lever	1
13	C229 3597	Lower Stay	1
14	C229 3596	Lower Guide Stay - Transfer Roller	1
15	C229 1078	Harness Cover	1
16	C236 3570	Upper Stay	1
17	C229 2615	Slide Rail Roller	1
18	C236 2611	Rail	1
19	C229 5638	Grounding Plate	1
20	C236 1079	Scanner Right Stay Ass'y	1
23	C239 2277	Plotter Rear Slide Rail Bracket	1
24	C239 2276	Plotter Front Slide Rail Spacer	1
25	C236 1861	Left Guide Plate	1
26	C236 1862	Hinge Spacer	1
27	C229 5636	Flat Cable Bracket	1
28	A267 1089	Grounding Plate - Upper Rear	1

Index No.	Part No.	Description	Q'ty Per Assembly
101	0451 4010B	Tapping Screw - 4x10	
102	0801 1004	Screw - M4X4	
103	0451 4006B	Tapping Screw - 4x6	
104	0451 3006B	Tapping Screw - M3x6	
105	0720 0060E	Retaining Ring - M6	
106	0951 3006Z	Philips Screw With Flat Washer - M3	
107	1105 0511	Harness Clamp - LWS-0306ZC	
108	0720 0040E	Retaining Ring - M4	
109	1105 0310	Harness Clamp - LWS-1S	
110	0353 0040Z	Binding Head Screw M3x4 (100pcs)	

# 5.FRAME SECTION 2 (C244)

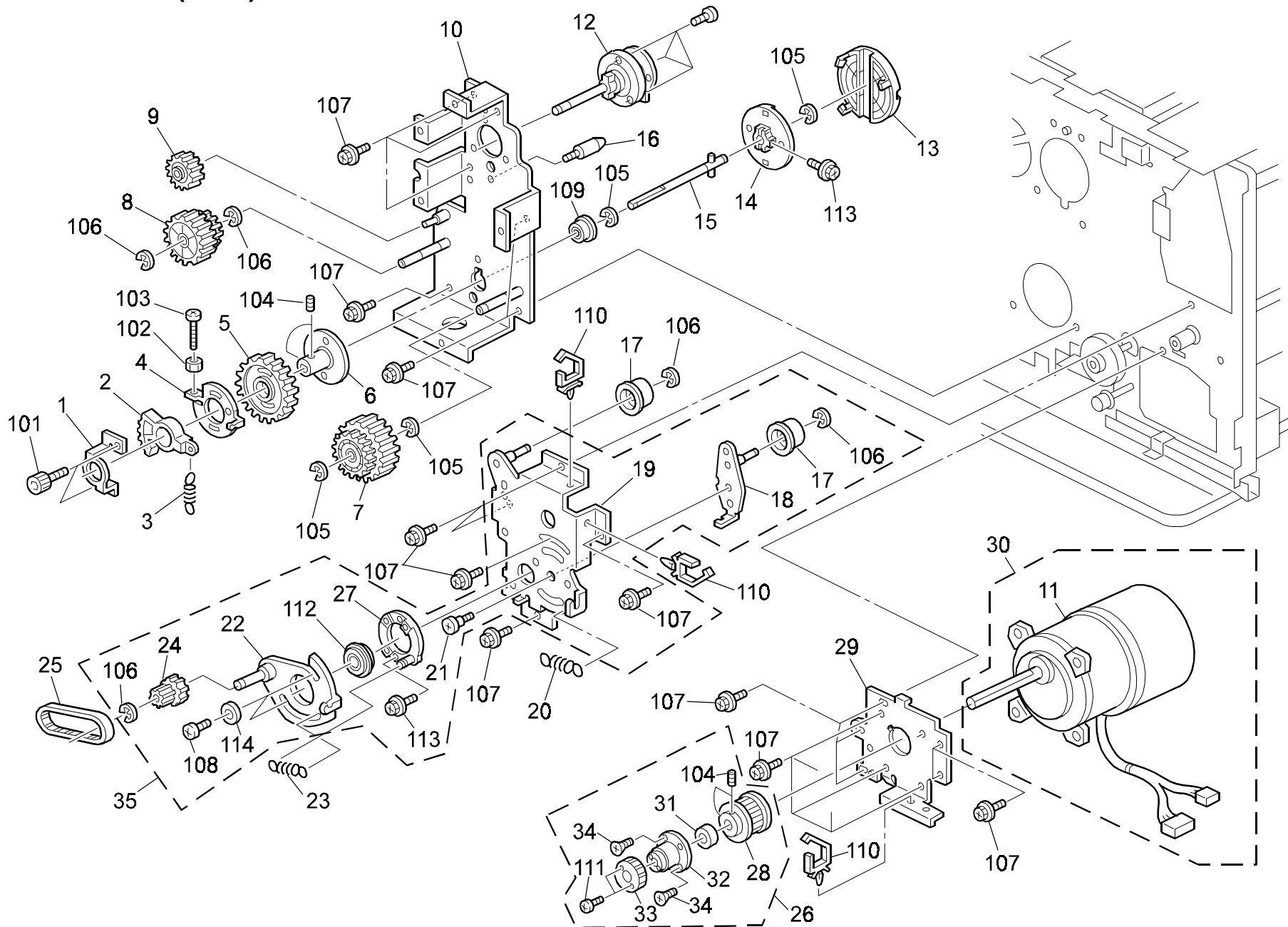


## 5.FRAME SECTION 2 (C244)

Index No.	Part No.	Description	Q'ty Per Assembly
1	AG07 1009	Rotary Catch	1
2	C229 1272	Left Cover Bracket	1
3	C236 5216	Main Switch Harness	1
4	C229 5631	Main Switch Bracket	1
5	C229 5644	Safety Switch Bracket	1
6	AG07 1010	Magnet Catch	1
7	AA14 3005	Stepped Screw - M4x2.5	1
8	C229 5645	Safety Switch Lever	1
9	C229 5646	Safety Switch Spring	1
10	C236 2620	Drum Left Bracket	1
11	C233 2625	Drum Position Plate	1
12	C233 2616	Right Drum Lock Pin	1
13	C229 2281	Master Tension Roller	1
14	C209 8288	Table Down Switch	1
15	C229 1290	Upper Right Support Plate	1
16	C229 2279	Tension Bracket	1
17	C229 5614	Total Counter Bracket	1
18	C229 5812	Print Counter	1
19	AX31 0024	Total Counter	1
20	C229 2626	Drum Position Plate - Small	1
21	C232 5627	Bracket Circuit Board LED	1
22	C232 5802	Circuit Board LED Ass'y	1

Index No.	Part No.	Description	Q'ty Per Assembly
101	1105 0199	Clamp	
102	1105 0310	Harness Clamp - LWS-1S	
103	0353 0050B	Philips Truss Head Screw - M3x5	
104	0451 4006B	Tapping Screw - 4x6	
105	1204 2501	Main Switch	
106	0313 0350B	Philips Pan Head Screw - M3x35	
107	1204 2356	Microswitch - AM51612A531	
108	0451 4008B	Philips Tapping Screw - M4x8	
109	0451 3006B	Tapping Screw - M3x6	
110	0720 0030E	Retaining Ring - M3	
111	0451 3006B	Tapping Screw - M3x6	

## 6. Drive Section 1 (C244)



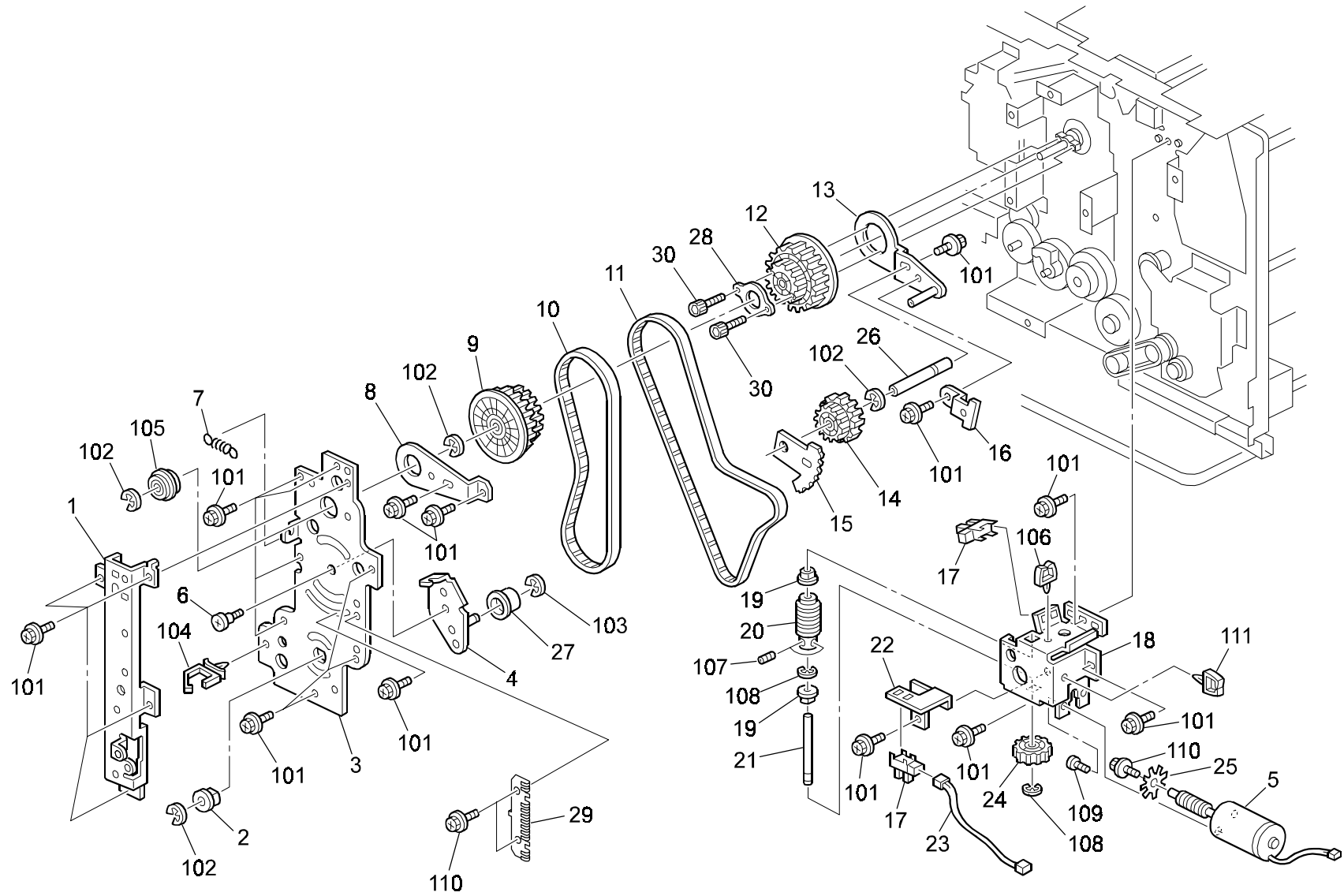


## 6. Drive Section 1 (C244)

Index No.	Part No.	Description	Q'ty Per Assembly
1	C229 3185	Gear Adjuster	1
2	C229 3183	Pressure Cylinder Sub Gear	1
3	C229 3186	Pressure Spring	1
4	C229 3184	Stopper Flange	1
5	C229 3182	Pressure Cylinder Gear	1
6	C229 3181	Adjusting Cam	1
7	C229 1198	Lower Timing Pulley - Cylinder Drive	1
8	C229 1140	Feed Roller Drive Gear	1
9	C207 4672	Gear - 36Z	1
10	C229 1101	Drum Drive Support Plate	1
11	<b>C229 5840</b>	<b>Main Motor Gear</b>	<b>1</b>
12	C233 1090	Drum Drive Shaft Ass'y	1
13	C233 3191	Joint Core	1
14	C229 3196	Joint Flange	1
15	C229 1028	Pressure Cylinder Drive Shaft	1
16	C229 1192	Drum Guide Pin	1
17	C229 1145	Belt Tension Roller	1
18	C229 1048	Tension Bracket	1
19	C229 1067	Tension Holder	1
20	C229 1143	Tension Spring	1
21	C201 5125	Stepped Screw - M6	1
22	C229 1036	Drive Bracket	1
23	C229 1173	Dial Spring	1
24	C229 1151	Gear Pulley	1
25	C229 1154	Timing Belt	1
26	C233 1036	Torque Limiter Ass'y	1
27	C229 1040	Bearing Holder	1
28	C233 1074	Torque Limiter 55kgf·cm	1
29	C229 1066	Main Motor Base	1
30	C229 5800	Main Motor - DC24V 100W	1
31	C229 1064	Ball Bearing 6800ZZ	1
32	C233 1079	Shielded Sleeve - Torque Limiter	1
33	C229 1039	Motor Gear	1
34	C233 1065	Screw M3x4	1
35	C233 1035	Torque Limiter Drive Ass'y	1

Index No.	Part No.	Description	Q'ty Per Assembly
101	0595 0080E	Hexagon Bolt - M5x8	
102	0710 0040B	Hexagon Nut - M4	
103	0314 0160B	Philips Pan Head Screw - M4x16	
104	C229 1063	Hexagon Screw - M5x4	
105	0720 0080E	Retaining Ring - M8	
106	0720 0060E	Retaining Ring - M6	
107	0451 4006B	Tapping Screw - 4x6	
108	0951 4008B	Philips Screw With Washer - M4x8	
109	0805 3205	Ball Bearing - 10x19x7mm	
110	1105 0413	Harness Clamp	
111	0313 0120B	Philips Pan Head Screw - M3x12	
112	0805 3444	Ball Bearing - 25x37x7	
113	0451 4008B	Philips Tapping Screw - M4x8	
114	0807 3033	Washer - M4.5	

## 7. Drive Section 2 (C244)

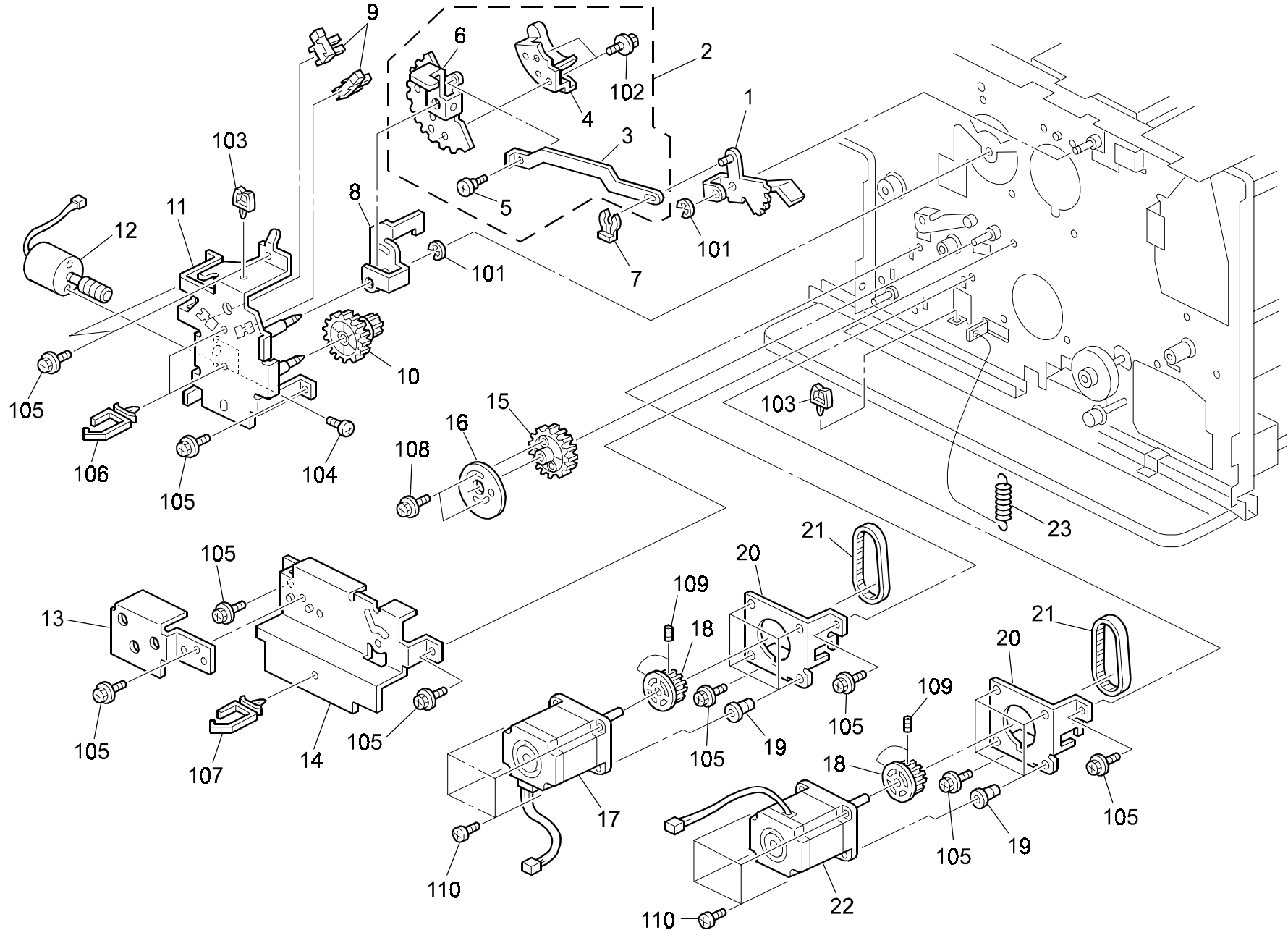


## 7. Drive Section 2 (C244)

Index No.	Part No.	Description	Q'ty Per Assembly
1	C229 5628	Board Holder Stay	1
2	5053 0419	Bushing - 10mm	1
3	C229 1128	Drive Support Bracket	1
4	C229 1048	Tension Bracket	1
5	C229 5820	DC Motor - 20W	1
6	C201 5125	Stepped Screw - M6	1
7	C229 1143	Tension Spring	1
8	C229 1127	Right Support Plate	1
9	C229 1094	Timing Pulley - Pressure Cylinder	1
10	C229 1187	Timing Belt - Pressure Cylinder Drive	1
11	C229 1142	Timing Belt - S5M780	1
12	C233 1092	Timing Pulley - Drum Drive	1
13	C229 1123	Left Image Shaft Support Plate	1
14	C229 1130	Relay Gear Ass'y	1
15	C229 1124	Sector Gear - Image Shift	1
16	C229 1126	Sensor Acuator	1
17	AW02 0075	Photointerruptor	1
18	C229 1174	Image Shift Motor Bracket	1
19	5053 0447	Bushing - 6mm	1
20	C229 1175	Worm Wheel	1
21	C229 1179	Image Shift Drive Shaft	1
22	C229 1178	Sensor Bracket	1
23	C236 5232	Encoder Harness	1
24	C229 1176	Worm Gear	1
25	C229 1177	Shift Sensor Encoder	1
26	C229 1121	Relay Gear Shaft	1
27	C229 1145	Belt Tension Roller	1
28	C229 1093	Timing Pulley Bracket	1
29	C236 5673	HDD Ground Plate	1
30	C233 1093	Hexagonal Set Screw - M4x20	2

Index No.	Part No.	Description	Q'ty Per Assembly
101	0451 4006B	Tapping Screw - 4x6	
102	0720 0080E	Retaining Ring - M8	
103	0720 0060E	Retaining Ring - M6	
104	1105 0413	Harness Clamp	
105	0805 3134	Ball Bearing - 10x26x8mm	
106	1105 0199	Clamp	
107	0573 0040E	Hexagon Headless Set Screw - M3x4	
108	0720 0040E	Retaining Ring - M4	
109	0353 0040B	Screw - M3X4	
110	0451 3006B	Tapping Screw - M3x6	
111	1105 0229	Clamp	

# 8. Drive Section 3 (C244)

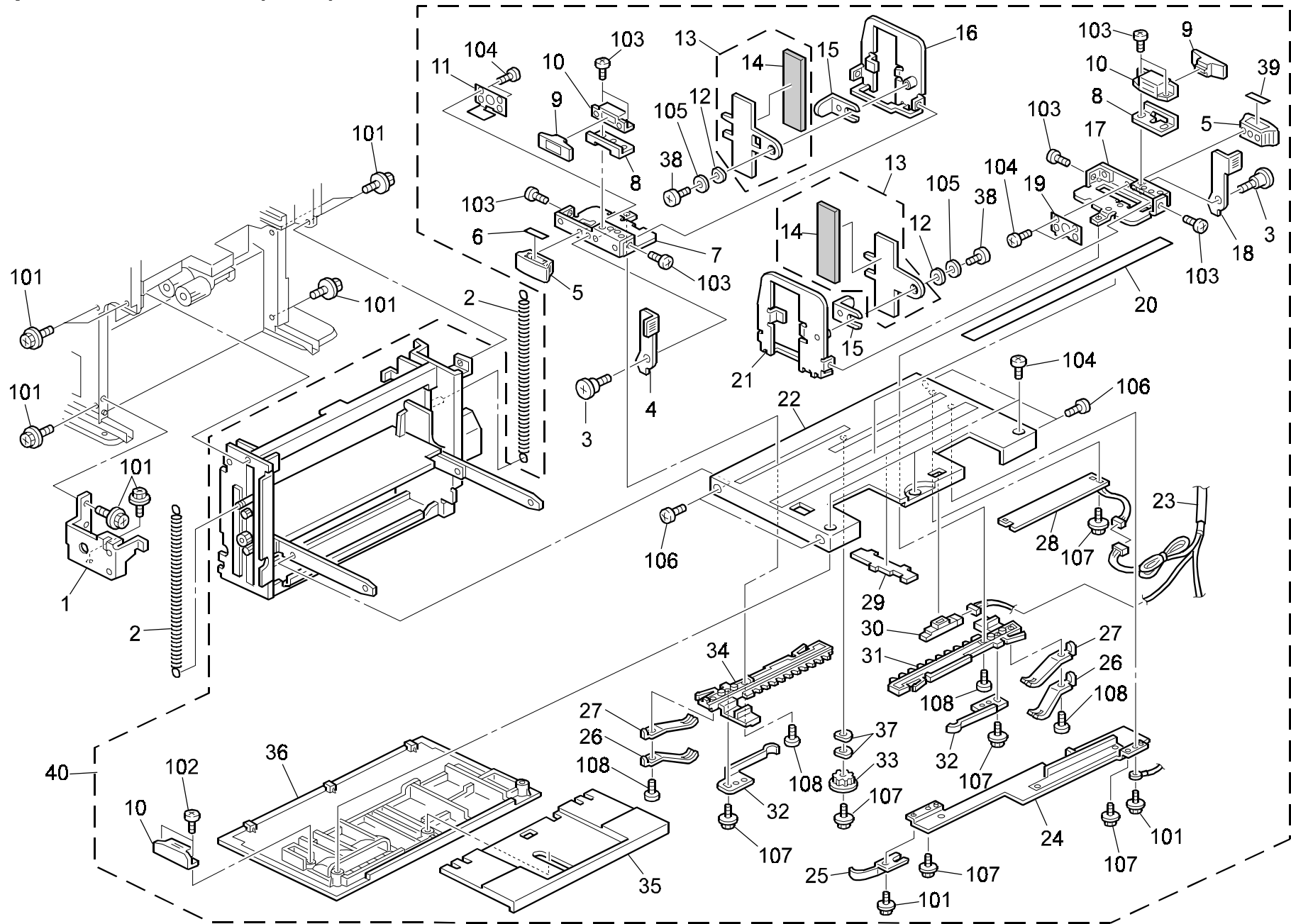


### 8. Drive Section 3 (C244)

Index No.	Part No.	Description	Q'ty Per Assembly
1	C229 4001	Eject Clamper Open Arm	1
2	C229 4050	Sector Guide Ass'y	1
3	C229 4051	Joint Link	1
4	C229 4053	Guide Pin	1
5	C229 3522	Stepped Screw	1
6	C239 4052	Sector Gear	1
7	5447 2681	Snap Ring	1
8	C229 4054	Sector Arm	1
9	AW02 0075	Photointerruptor	1
10	C229 4056	Worm Gear	1
11	C229 4057	Clamper Motor Bracket	1
12	C229 5803	DC Motor - 50W	1
13	C229 2931	Pulley Cover	1
14	C229 2930	Guide Plate	1
15	C229 2927	Pressure Release Gear	1
16	C239 2937	Pressure Release Cam	1
17	C229 5801	Stepper Motor - DC 7W	1
18	C229 2946	Motor Pulley	1
19	C403 1899	Rubber Bushing - M4	1
20	C236 5731	Paper Feed Motor Bracket	1
21	C229 2948	Timing Belt - 80-XL-050	1
22	C229 5828	Stepper Motor - DC 55W	1
23	C236 2998	Tension Spring 18N	1

Index No.	Part No.	Description	Q'ty Per Assembly
101	0720 0060E	Retaining Ring - M6	
102	0451 3006B	Tapping Screw - M3x6	
103	1105 0199	Clamp	
104	0353 0040B	Screw - M3X4	
105	0451 4006B	Tapping Screw - 4x6	
106	1105 0291	Harness Clamp - LWS-3S	
107	1105 0413	Harness Clamp	
108	0450 4010B	Tapping Screw - 4x10	
109	0574 0040E	Hexagon Headless Set Screw - M4x4	
110	0354 0140B	Screw - M4X14	

# 9.Paper Feed Section 1 (C244)



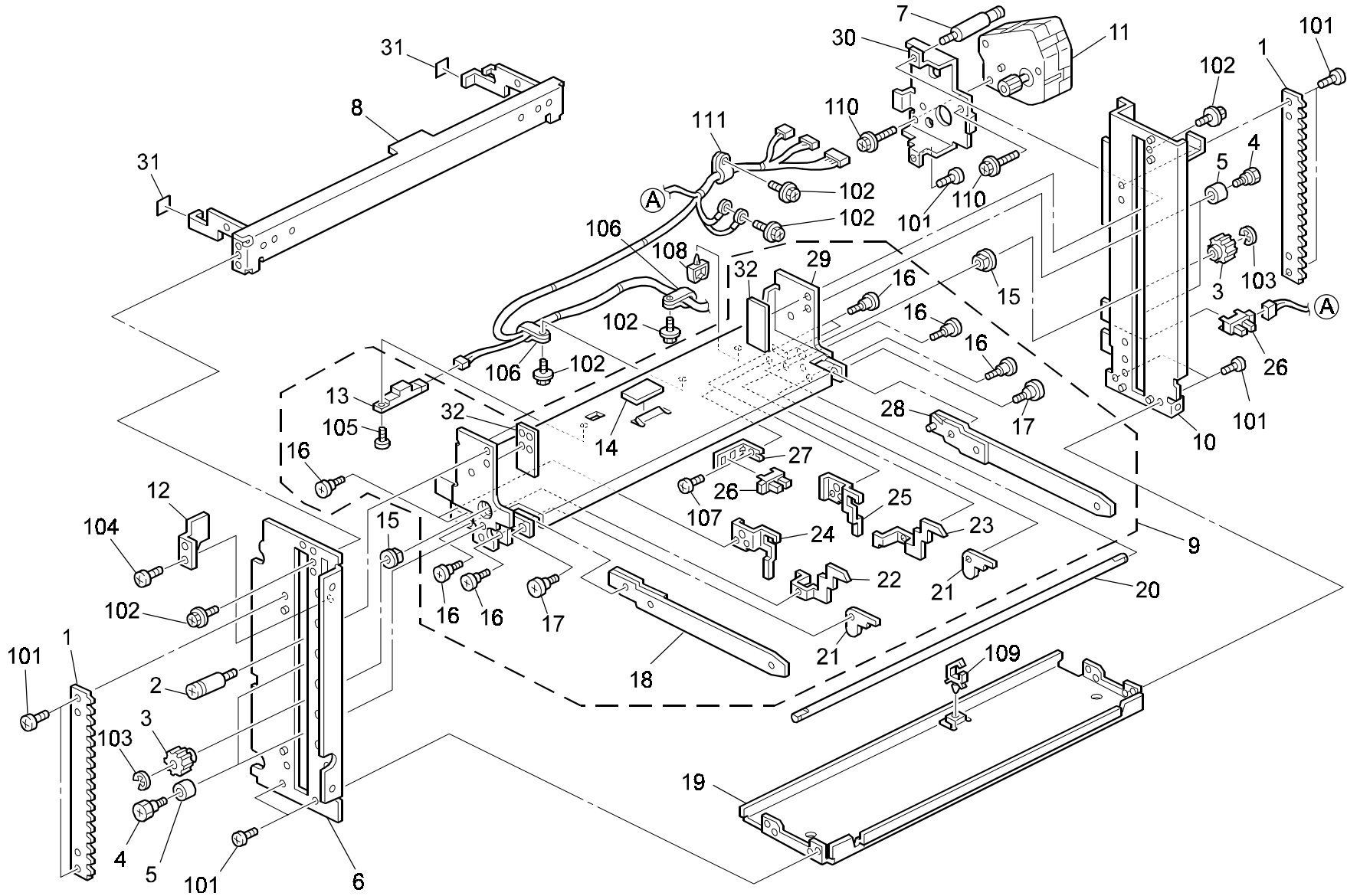
## 9.Paper Feed Section 1 (C244)

Index No.	Part No.	Description	Q'ty Per Assembly
1	C229 1291	Support Plate - Right Lower	1
2	C229 2828	Lift Up Spring - Paper Tray	1
3	A109 4775	Stepped Screw - M5	1
4	C235 2819	Lock Lever - Left Side Fence	1
5	C235 2804	Side Fence Grip	1
6	C235 2814	Decal - Side Fence - Left	1
7	C235 2796	Left Side Fence Slider Ass'y	1
8	C229 2793	Side Fence Stopper	1
9	C235 2812	Spacer - Magnet Catch	1
10	5054 0536	Magnet Catch Ass'y	1
11	C235 2820	Left Lock Lever Spring Plate Ass'y	1
12	5070 0923	Spring Washer - Rotating Table	1
13	C235 2769	Side Fence Pad Ass'y	1
14	C235 2771	Side Fence Pad	1
15	C209 5092	Rubber Plate Lever	1
16	C235 2802	Left Side Fence Ass'y	1
17	C235 2786	Right Side Fence Slider Ass'y	1
18	C235 2815	Lock Lever - Right Side Fence	1
19	C235 2816	Right Lock Lever Spring Plate Ass'y	1
20	C239 2951	Decal - Paper Size	1
21	C235 2791	Right Side Fence	1
22	C244 2773	Paper Tray	1
23	C235 5236	Paper Size Harness Ass'y	1
24	C229 2955	Ground Plate	1
25	C229 2952	Spring Plate - Paper Tray	1
26	C229 2954	Spring Plate	1
27	C229 2784	Grounding Plate	1
28	C229 5155	Paper Size Sensor Board	1
29	C244 2779	Harness Holder	1
30	C229 5807	Photosensor - Gp2a25	1
31	C229 2780	Side Fence Rack - Right	1
32	C229 2794	Tension Spring Plate	1
33	G011 3305	Gear - 16T	1
34	C229 2781	Side Fence Rack	1
35	C240 2775	Paper Tray - Sub	1



Index No.	Part No.	Description	Q'ty Per Assembly
36	C244 2774	Paper Feed Cover	1
37	5443 2713	Wave Washer	1
38	5506 1536	Screw - M4X6	1
39	C235 2813	Decal - Side Fence - Right	1
40	C244 2744	Paper Feed Unit Ass'y	1
101	0451 4006B	Tapping Screw - 4x6	
102	0452 3006B	Tapping Screw - M3x6	
103	0453 3006B	Tapping Screw - M3x6	
104	0452 3008Z	Bind Tapping Screw - M3x8	
105	0701 0080Z	Flat Washer - M8	
106	0453 4008Z	Tapping Screw - M4x8	
107	0450 3006B	Tapping Screw - M3x6	
108	0353 0060B	Philips Pan Head Screw - M3x6	

# 10.Paper Feed Section 2 (C244)



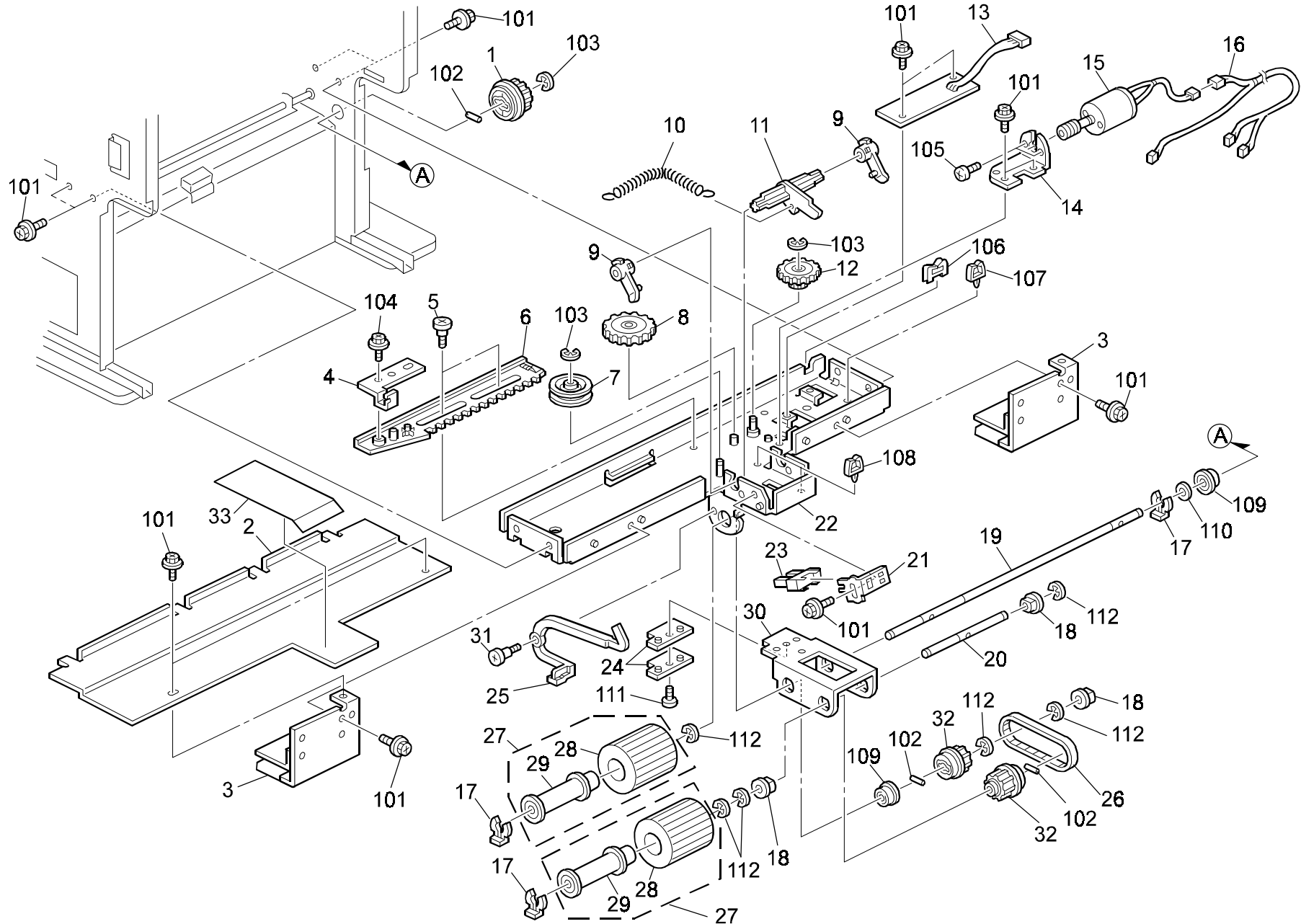


## 10.Paper Feed Section 2 (C244)

Index No.	Part No.	Description	Q'ty Per Assembly
*	C229 2805	Paper Table Ass'y	1
1	C229 2755	Lift Up Rack - Paper Table	1
2	C229 2827	Spring Anchor - Left	1
3	C229 2824	Gear - 20Z	1
4	C229 2829	Lift Up Shaft	1
5	5606 2310	Roller	1
6	C229 2754	Left Side Plate	1
7	C229 2826	Spring Anchor - Right	1
8	C239 2756	Paper Feed Unit Upper Stay	1
9	C229 2806	Paper Tray	1
10	C229 2751	Right Side Plate	1
11	C229 5814	DC Motor - 24V	1
12	C232 2841	Magnetic Guide Plate	1
13	C229 5807	Photosensor - GP2A25	1
14	C229 2840	Pad	1
15	5053 0223	Bushing - 8mm	1
16	5151 1009	Shoulder Screw - M4	1
17	5607 3927	Stepped Screw - M3x8	1
18	C229 2776	Left Stay - Paper Table	1
19	C229 2757	Paper Table Lower Stay	1
20	C229 2823	Table Lift Shaft	1
21	C229 2820	Pressure Release Plate	1
22	C229 2817	Pressure Release Arm - Left	1
23	C229 2816	Pressure Release Arm - Right	1
24	C229 2815	Left Adjusting Plate	1
25	C229 2814	Right Adjusting Plate	1
26	AW02 0075	Photointerruptor	1
27	C229 2810	Paper Set Sensor Bracket	1
28	C229 2775	Right Stay - Paper Table	1
29	C229 2807	Paper Table - Fixed	1
30	C229 5730	Paper Table Motor Bracket	1
31	C229 2761	Cushion	1
32	C239 2820	Paper Feed Guide Plate Cover	1

Index No.	Part No.	Description	Q'ty Per Assembly
101	0354 0050B	Bind Screw - M4x5	
102	0451 4006B	Tapping Screw - 4x6	
103	0720 0050Z	Retaining Ring - M5	
104	0353 0040B	Screw - M3X4	
105	0451 3006B	Tapping Screw - M3x6	
106	1105 0005	Nylon Clamp - 3n	
107	0353 0040B	Screw - M3X4	
108	1105 0229	Clamp	
109	1105 0310	Harness Clamp - LWS-1S	
110	0450 4025B	Tapping Screw With Washer - M4x25	
111	1105 0016	Nylon Clamp - 4n	

# 11.Paper Feed Section 3 (C244)

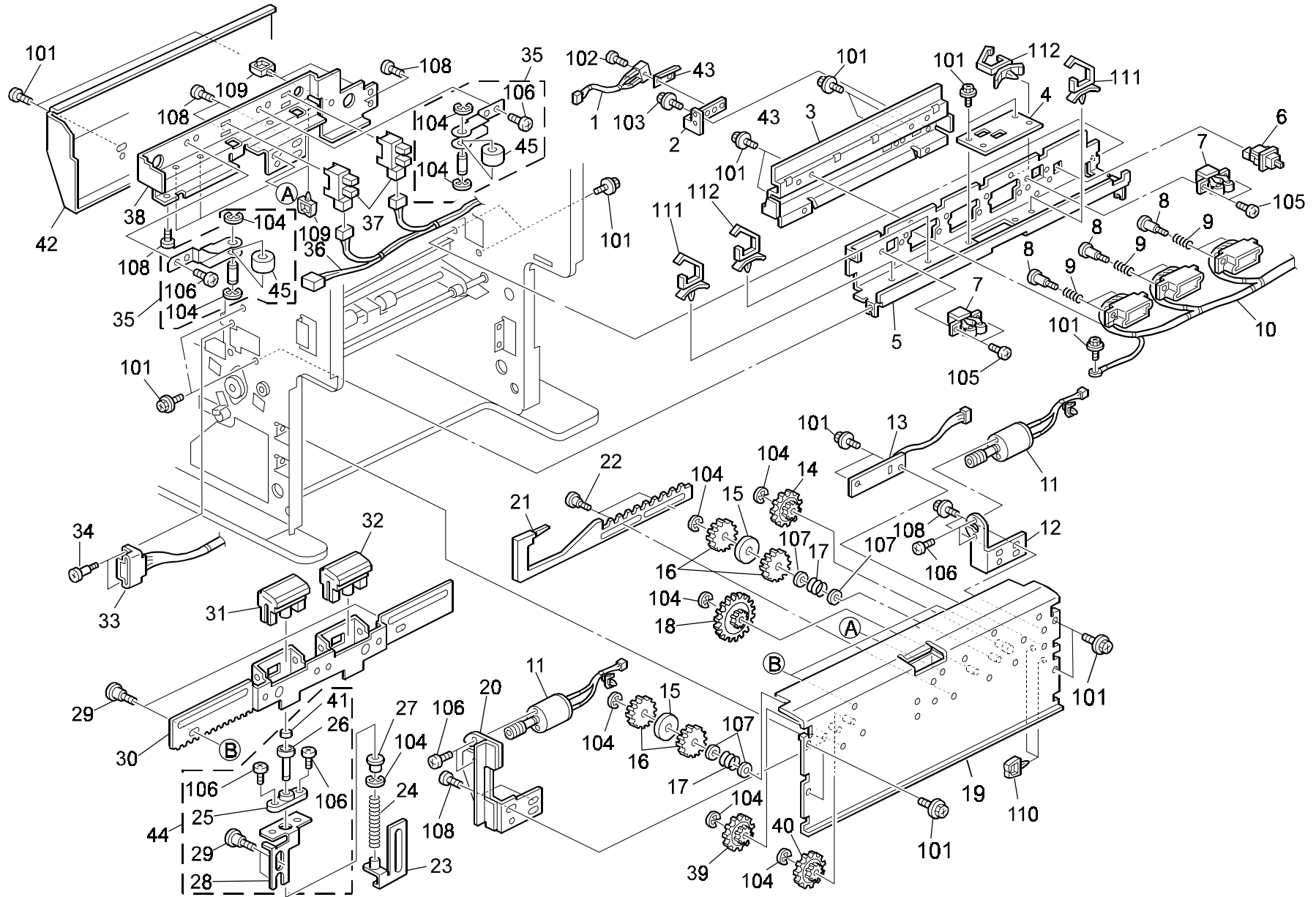


### 11.Paper Feed Section 3 (C244)

Index No.	Part No.	Description	Q'ty Per Assembly
1	C229 2947	Drive Pulley - Paper Separation	1
2	C236 5733	Harness Cover	1
3	C229 2845	Paper Feed Guide Plate	1
4	C229 2860	Spring Bracket	1
5	5419 5714	Stepped Screw - M4	1
6	C229 2858	Separation Control Rack	1
7	C200 3712	Pulley	1
8	C229 2857	Gear - 14Z/42Z	1
9	C229 2863	Bushing	1
10	C229 2861	Paper Pressure Spring	1
11	C229 2862	Paper Pressure Lever	1
12	C229 2856	Worm Wheel Gear - 14Z/40Z	1
13	C229 5157	Paper Pressure Board	1
14	C229 5732	Feed Pressuer Motor Bracket	1
15	C217 8447	DC Motor - 24V/7.2W	1
16	C236 5206	Paper Feed Pressure Harness	1
17	C209 3133	Retaining Ring - M6	1
18	5053 0223	Bushing - 8mm	1
19	C229 2839	Paper Feed Roller Shaft	1
20	C229 2838	Pick-up Roller Shaft	1
21	C229 2866	Height Sensor Bracket	1
22	C229 2850	Paper Feed Stay	1
23	AW02 0075	Photointerruptor	1
24	C229 2834	Balancer Arm	1
25	C229 2864	Paper Sensor Feeler	1
26	C229 2949	Timing Belt - 75-MXL-64	1
27	<b>C229 2835</b>	<b>Paper Feed Roller Ass'y</b>	<b>1</b>
28	C229 2836	Paper Feed Roller	1
29	C229 2837	Paper Feed Roller - Center	1
30	C229 2833	Paper Feed Arm	1
31	5219 1957	Stepped Screw - M4	1
32	C229 2950	Feed Roller Drive Pulley	1
33	C239 5734	Grip Cover Sheet	1

Index No.	Part No.	Description	Q'ty Per Assembly
101	0451 4006B	Tapping Screw - 4x6	
102	0633 0140G	Parallel Pin - 3x14	
103	0720 0060E	Retaining Ring - M6	
104	0450 4006B	Tapping Screw - 4x6	
105	0353 0040B	Screw - M3X4	
106	1105 0329	Clamp - ES-0510	
107	1105 0230	Clamp	
108	1105 0199	Clamp	
109	0805 3368	Ball Bearing - 8x16x5mm	
110	0807 5037	Washer - 8.1mm	
111	0354 0080B	Screw - M4X8	
112	0720 0050Z	Retaining Ring - M5	

## 12.Paper Feed Section 4 (C244)

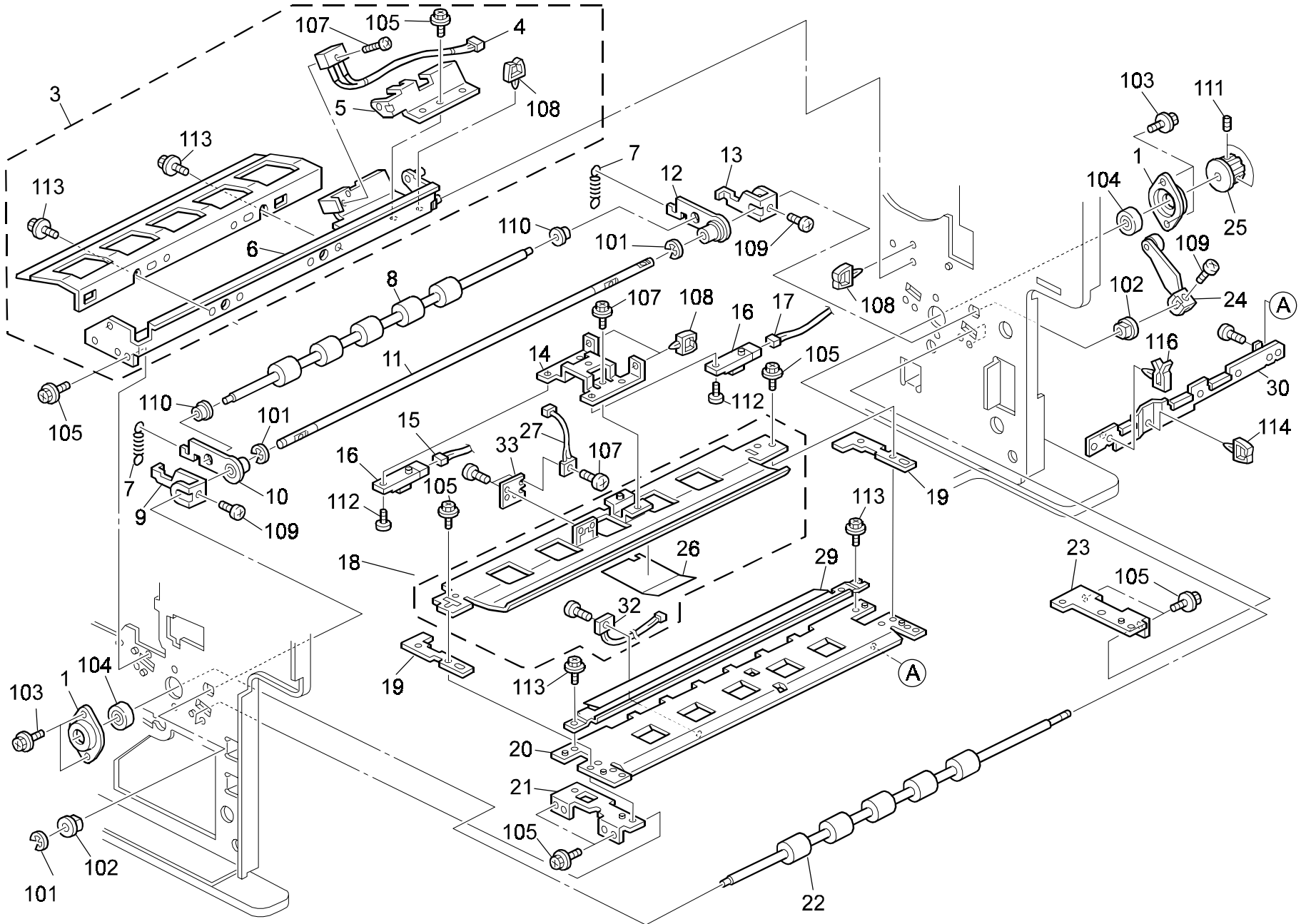


## 12.Paper Feed Section 4 (C244)

Index No.	Part No.	Description	Q'ty Per Assembly
1	C239 5831	Optics Sensor - EE-SF5-B	1
2	C236 2265	Sensor Bracket	1
3	C236 2262	Sensor Stay	1
4	C229 2261	Connector Plate	1
5	C229 2260	Plotter Connector Bracket	1
6	AW50 0012	Push Switch	1
7	C239 2267	Paper Tray Holder	1
8	AA14 3120	Stepped Screw - M3x3	1
9	AA06 3163	Connector Spring	1
10	C239 5210	Plotter Relay Harness	1
11	C217 8447	DC Motor - 24V/7.2W	1
12	C236 2875	Motor Bracket	1
13	C236 5157	Paper Feed Control Board	1
14	C236 2865	Worm Wheel - Gear	1
15	C236 2866	Rubber Washer	1
16	C236 2863	Gear - 24Z	1
17	C236 2867	Compression Spring	1
18	C229 2857	Gear - 14Z/42Z	1
19	C235 2832	Drum Stay - Paper Feed Ass'y	1
20	C236 2871	Motor Bracket	1
21	C236 2860	Separation Rack Ass'y	1
22	5419 5714	Stepped Screw - M4	1
23	C236 2855	Lower Pressure Plate	1
24	C236 2858	Compression Spring	1
25	C236 2848	Slider Bushing	1
26	C236 2851	Upper Slider	1
27	C236 2852	Upper Guide Pin	1
28	C236 2847	Upper Pressure Plate	1
29	C236 2844	Stepped Screw	1
30	C236 2840	Guide Rail Base	1
31	<b>C236 2886</b>	<b>Separation Pad - A Ass'y</b>	<b>1</b>
32	<b>C236 2895</b>	<b>Separation Pad - B Ass'y</b>	<b>1</b>
33	C236 5208	Ink Sensor Relay Harness	1
34	C229 2633	Stepped Screw	1
35	C236 2880	Separation Pad Holder Bracket	1

Index No.	Part No.	Description	Q'ty Per Assembly
36	C236 5238	Separation Harness	1
37	AW02 0075	Photointerruptor	1
38	C236 2879	Sensor Bracket	1
39	C236 2864	Worm Wheel - Gear	1
40	C236 2862	Gear - 32Z/14Z	1
41	C236 2850	Magnetic	1
42	C235 2898	Cover - Separation Sub-unit	1
43	C239 2266	Optics Sensor Cover	1
44	C236 2845	Upper Pressure Plate Ass'y	1
45	C201 4604	Drum Rail Roller	1
101	0451 4006B	Tapping Screw - 4x6	
102	0352 0080B	Screw M2.5x8	
103	0451 3006B	Tapping Screw - M3x6	
104	0720 0060E	Retaining Ring - M6	
105	0313 0060B	Philips Pan Head Screw - M3x6	
106	0353 0040B	Screw - M3X4	
107	0807 5044	Spacer - 8.1mm X 11.5mm X 0.2	
108	0801 1004	Screw - M4X4	
109	1105 0119	Clamp - UAMS-05L-0(V0)	
110	1105 0229	Clamp	
111	1105 0310	Harness Clamp - LWS-1S	
112	1105 0511	Harness Clamp - LWS-0306ZC	

### 13.Paper Feed Section 5 (C244)



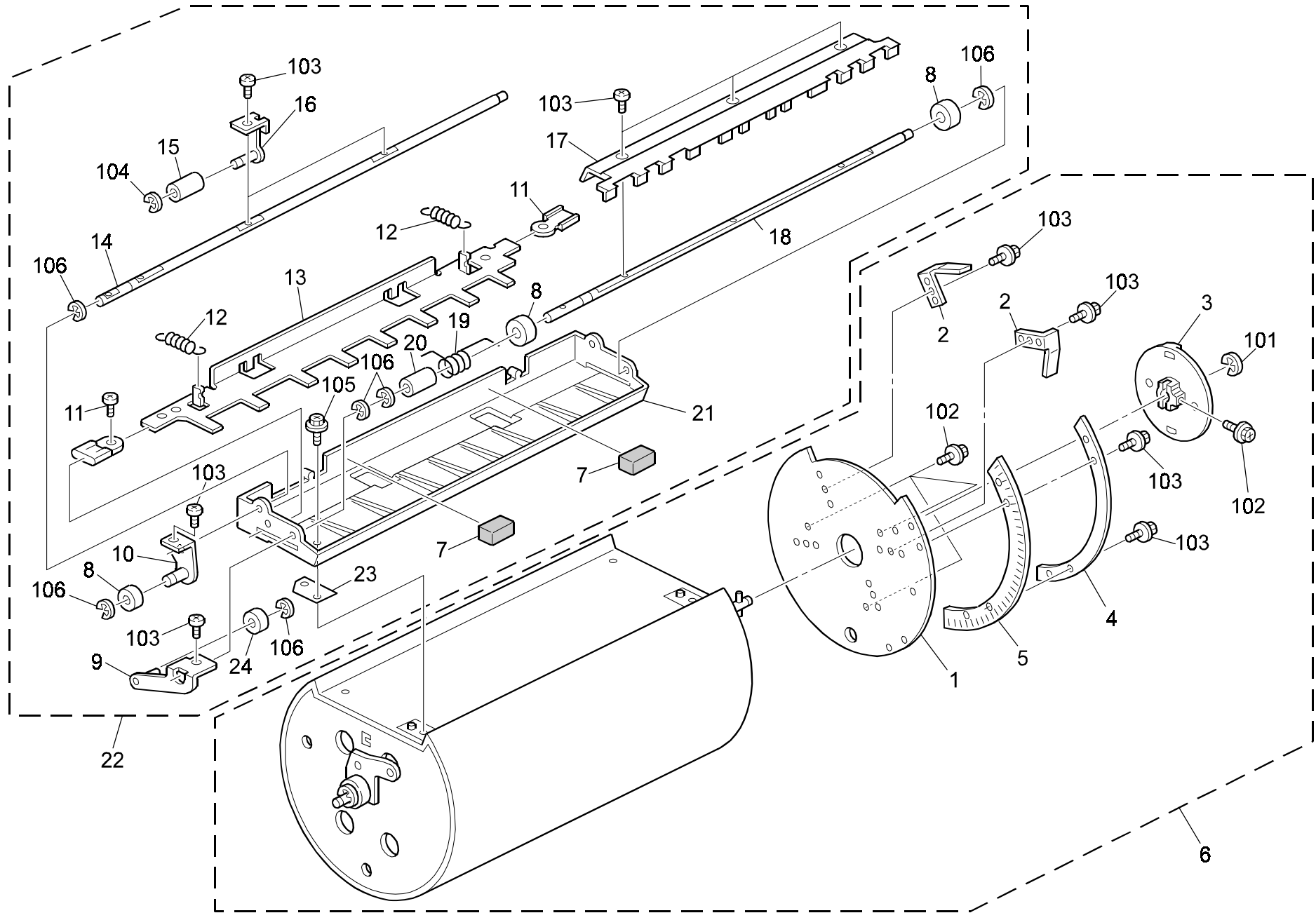
### 13.Paper Feed Section 5 (C244)



Index No.	Part No.	Description	Q'ty Per Assembly
1	C200 2266	Bearing Holder	1
3	C239 2935	Master Optics Sensor Bracket Ass'y	1
4	C236 5825	Sensor	1
5	C229 5739	Master Sensor Cover	1
6	C236 2941	Bracket - Master Sensor	1
7	C229 2901	Pressure Roller Spring	1
8	C236 2905	Feed Roller-upper	1
9	C229 2899	Pressure Release Lock Arm - Left	1
10	C229 2894	Left Pressure Arm	1
11	C229 2900	Pressure Release Shaft	1
12	C229 2893	Right Pressure Arm	1
13	C229 2898	Pressure Release Lock Arm - Right	1
14	C229 2921	Registration Sensor Bracket	1
15	C236 5240	Feed Harness	1
16	C229 5807	Photosensor - Gp2a25	1
17	C236 5232	Encoder Harness	1
18	C239 2922	Upper Feed Roller Guide Plate Ass'y	1
19	C229 2919	Guide Plate Spacer	1
20	C239 2927	Lower Feed Roller Guide Plate	1
21	C229 2923	Left Bracket - Guide Plate	1
22	C229 2906	Lower Registration Roller	1
23	C229 2922	Right Bracket - Guide Plate	1
24	C217 5126	Cam Follower Plate	1
25	C229 2907	Registration Roller Pulley - 14z	1
26	C239 2915	Upper Feed Roller Guide Plate	1
27	C209 8117	Drum Master Detection Sensor	1
29	C236 2927	Paper Feed Guide Plate Ass'y	1
30	C239 2929	Cable Bracket	1
32	C239 5825	Photosensor	1
33	C239 2925	Double Feed Sensor Upper Bracket	1

Index No.	Part No.	Description	Q'ty Per Assembly
101	0720 0060E	Retaining Ring - M6	
102	0805 3386	Bushing - 8mm	
103	0451 3006B	Tapping Screw - M3x6	
104	0740 3008	Ball Bearing - 8x22x7	
105	0451 4006B	Tapping Screw - 4x6	
106	0720 0040E	Retaining Ring - M4	
107	0352 0080B	Screw M2.5x8	
108	1105 0199	Clamp	
109	0354 0060B	Screw - M4X6	
110	0741 3706	Ball Bearing - 6x10x3	
111	0574 0040E	Hexagon Headless Set Screw - M4x4	
112	0453 3006B	Tapping Screw - M3x6	
113	0451 4008B	Philips Tapping Screw - M4x8	
114	1105 0234	Clamp	
115	0353 0050B	Philips Truss Head Screw - M3x5	
116	1105 0283	Clamp	

# 14. Pressure Cylinder 1 (C244)



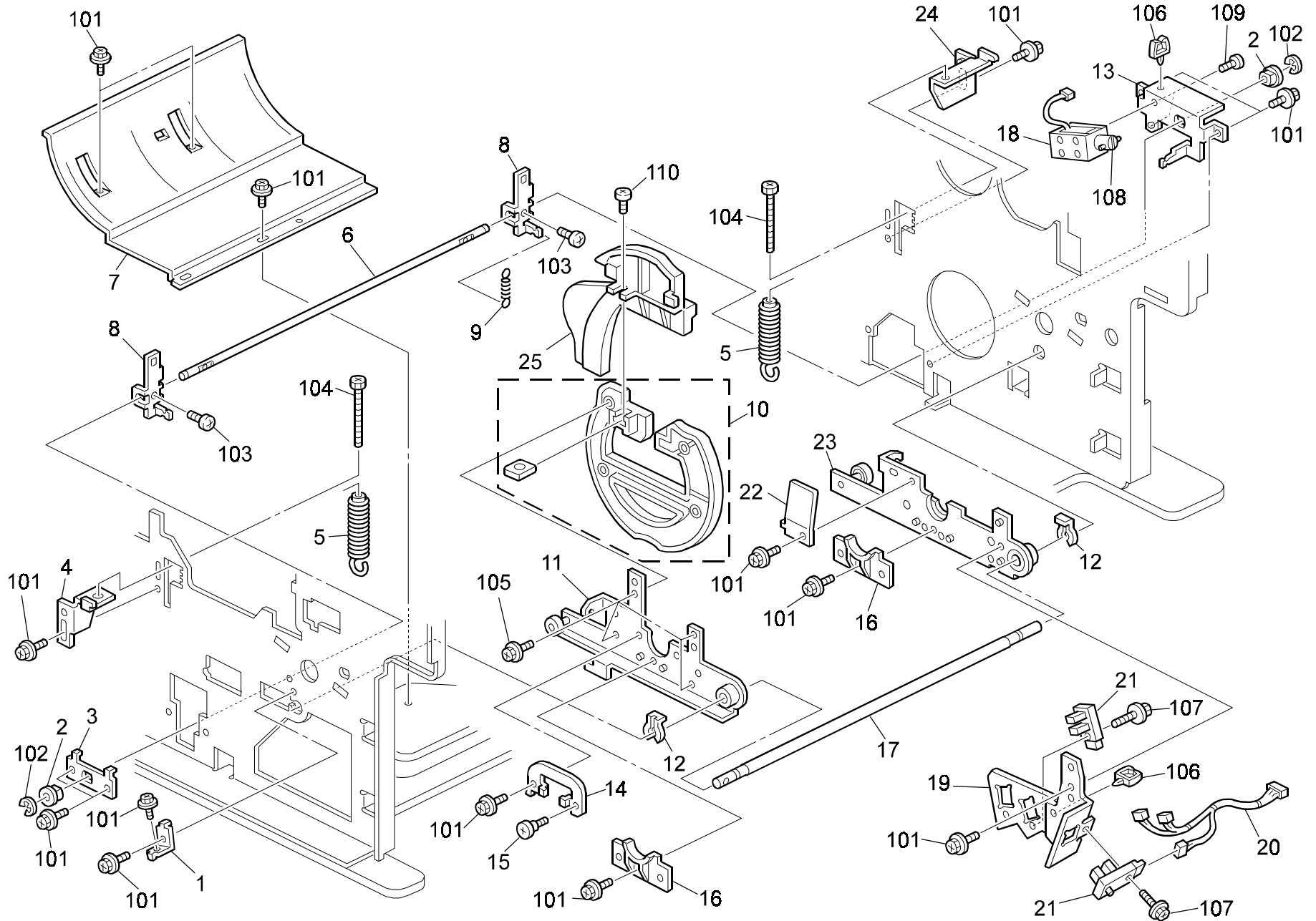


### 14. Pressure Cylinder 1 (C244)

Index No.	Part No.	Description	Q'ty Per Assembly
1	C229 3092	Front Encoder Flange	1
2	C229 3096	Paper Feed Actuator	1
3	C229 3196	Joint Flange	1
4	C229 3094	Encoder Holder	1
5	C229 3093	Encoder	1
6	C235 3004	Press Drum Unit - Ass'y	1
7	C236 3239	Cushion - Clamp	1
8	C236 3237	Collar 6x11.2x1.5	1
9	C236 3256	Clamper Arm Ass'y	1
10	C236 3261	Arm Ass'y	1
11	C236 3248	Slider Exit Pawl	1
12	C236 3249	Tension Spring - 2n	1
13	C236 3247	Clamper Exit Pawl	1
14	C236 3251	Exit Pawl Shaft	1
15	AA13 2115	Collar - Cam Follower	1
16	C236 3252	Exit Pawl Drive Guide	1
17	C236 3234	Clamp Sttoper Pawl	1
18	C236 3245	Clamper Shaft	1
19	C236 3244	Clamper Spring	1
20	C236 3238	Collar 6x8x12.5	1
21	C236 3264	Clamper Base	1
22	<b>C236 3005</b>	<b>Drum Clamp Ass'y</b>	<b>1</b>
23	C236 3084	Spacer0.3	1
24	C236 3259	Ball Bearing-5x11x4	1

Index No.	Part No.	Description	Q'ty Per Assembly
101	0720 0080E	Retaining Ring - M8	
102	0451 4008B	Philips Tapping Screw - M4x8	
103	0353 0060B	Philips Pan Head Screw - M3x6	
104	0720 0030Z	Retaining Ring - M3	
105	0453 4010B	Tapping Bind Screw - M4X10	
106	0720 0040E	Retaining Ring - M4	

# 15. Pressure Cylinder 2 (C244)

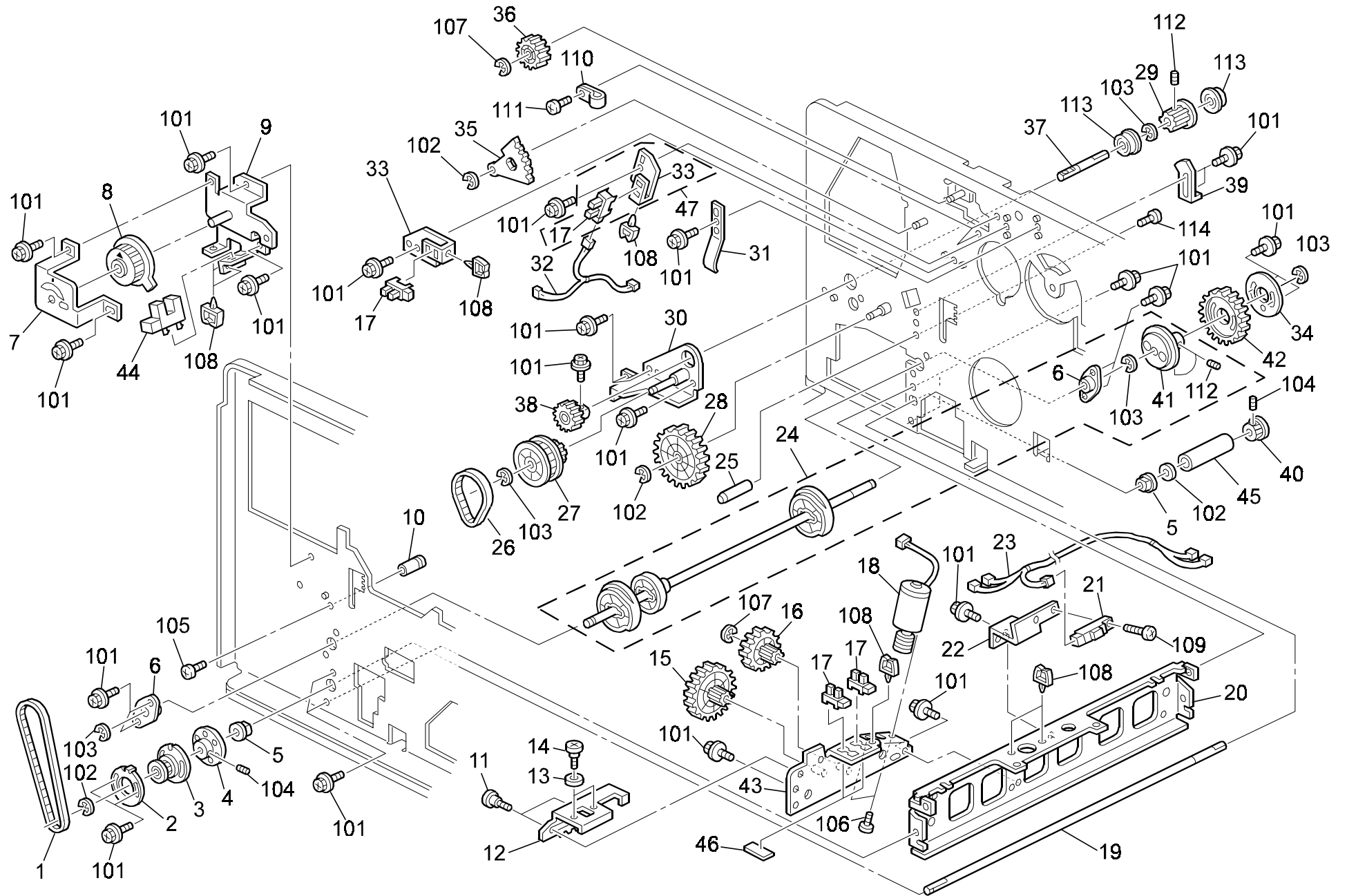


## 15. Pressure Cylinder 2 (C244)

Index No.	Part No.	Description	Q'ty Per Assembly
1	C229 3206	Shaft Stopper	1
2	5053 0447	Bushing - 6mm	1
3	C229 3161	Pressure Shaft Bracket - Front	1
4	C229 3275	Front Spring Bracket	1
5	C233 3270	Pressure Spring	1
6	C229 3165	Pressure Release Shaft	1
7	C229 3952	Paper Exit Guide Plate	1
8	C229 3164	Release Shaft Arm	1
9	C229 3166	Release Spring	1
10	C236 3230	Large Clamp Cam Ass'y	1
11	C229 3220	Front Arm	1
12	C229 3207	Ring - M14	1
13	C229 3163	Solenoid Bracket	1
14	C229 3226	Pressure Cylinder Shaft Holder	1
15	AA14 3062	Shoulder Screw - M4	1
16	C229 3227	Pressure Cylinder Shaft Guide	1
17	C229 3205	Position Shaft	1
18	C229 5830	Release Solenoid	1
19	C232 3090	Feed Encoder Bracket	1
20	C236 5226	Feed Encoder Harness	1
21	5205 5250	LED Sensor Type S	1
22	C229 3234	Encoder Guide	1
23	C229 3230	Rear Arm	1
24	C229 3276	Rear Spring Braket	1
25	C236 3269	Small Clamp Cam	1

Index No.	Part No.	Description	Q'ty Per Assembly
101	0451 4006B	Tapping Screw - 4x6	
102	0720 0040E	Retaining Ring - M4	
103	0451 3006B	Tapping Screw - M3x6	
104	0586 0451Z	Hexagon Bolt - M6x45	
105	0450 4008B	Tapping Screw - 4x8	
106	1105 0199	Clamp	
107	0451 4010B	Tapping Screw - 4x10	
108	0623 0140E	Spring Pin - 3x14mm	
109	0353 0040B	Screw - M3X4	
110	0353 0080B	Screw - M3X8	

# 16. Pressure Cylinder 3 (C244)

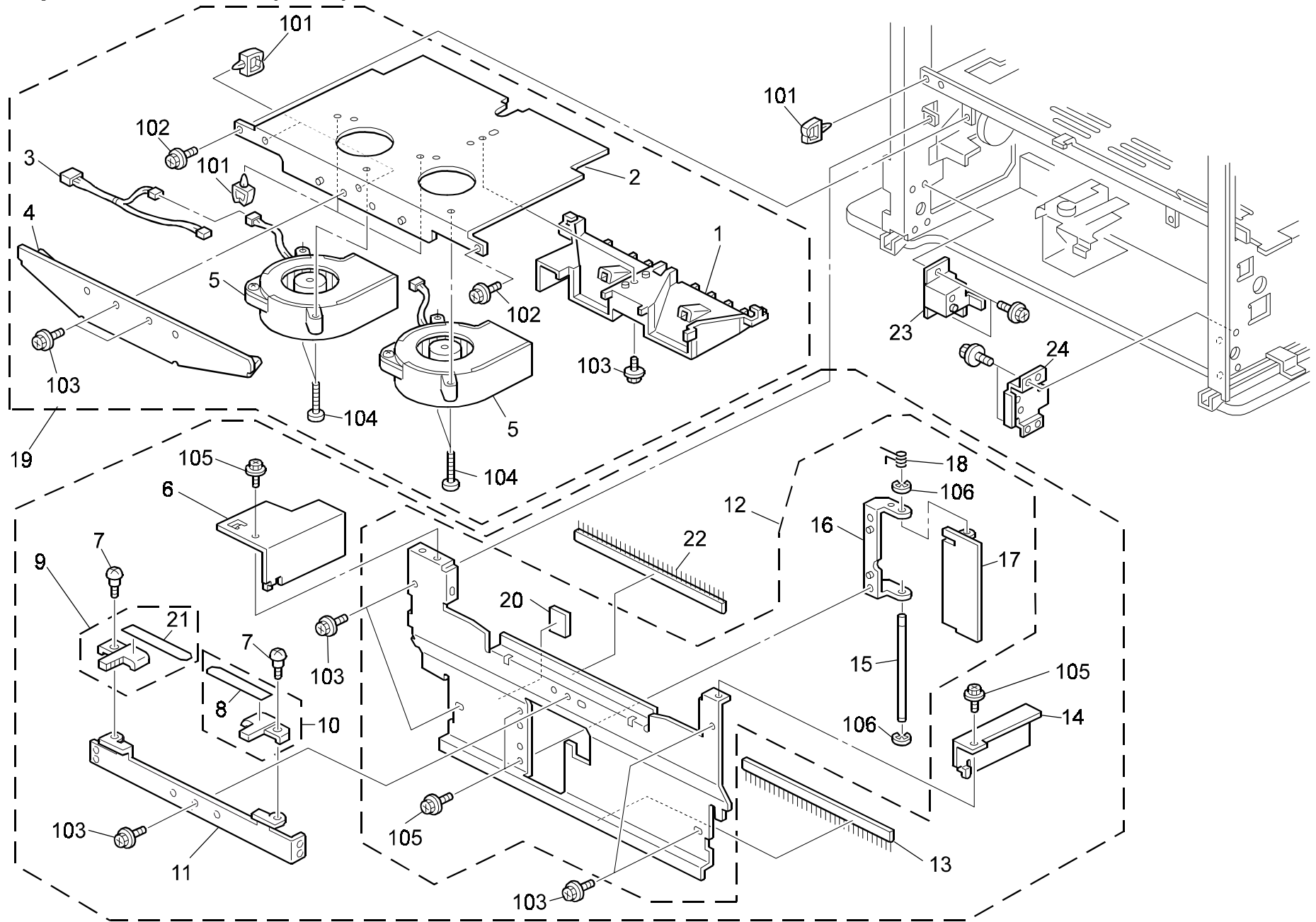


### 16. Pressure Cylinder 3 (C244)

Index No.	Part No.	Description	Q'ty Per Assembly
1	C229 1163	Timing Belt - S3M118Z	1
2	C229 1162	Pulley Spacer	1
3	C229 1161	Dial Drive Pulley - 20Z	1
4	C229 1160	Dial Adjuster	1
5	5304 1639	Bushing - 8mm	1
6	C229 3135	Bushing - Cam Shaft	1
7	C232 1170	Cover Dial Print	1
8	C232 1167	Pulley Ass'y	1
9	C232 1164	Bracket Dial Ass'y	1
10	C229 1082	Front Guide Shaft	1
11	C217 4426	Shoulder Screw	1
12	C229 3143	Rack - Exchange Ass'y	1
13	C229 3148	Bushing	1
14	AA14 3718	Stepped Screw - M4	1
15	C229 3146	Gear - 80Z/16Z	1
16	C229 3145	Worm Wheel - 50Z/16Z	1
17	AW02 0075	Photointerruptor	1
18	C229 5804	DC Motor - 20W	1
19	C229 1043	Dial Shaft	1
20	C229 1075	Left Stay	1
21	C229 5807	Photosensor - GP2A25	1
22	C229 3951	Lower Paper Exit Sensor Bracket	1
23	C236 5262	Change Harness	1
24	C236 3125	Cam Shaft Ass'y	1
25	C229 1083	Rear Guide Shaft	1
26	C229 1139	Timing Belt - S2M190	1
27	C229 3961	Drive Pulley	1
28	C229 3966	Drive Gear	1
29	C229 1136	Timing Pulley - Job Separator	1
30	C229 3930	Gear Holder	1
31	C229 2621	Spring Plate	1
32	C236 5224	Drum H.P Harness	1
33	C229 2631	Limit Sensor Bracket	1
34	C229 3195	Gear Spacer	1
35	C229 3585	Sector Gear	1

Index No.	Part No.	Description	Q'ty Per Assembly
36	C229 3586	Driven Gear	1
37	C233 1138	Drive Shaft	1
38	C229 1137	Drive Relay Gear	1
39	C229 3976	Lever Stopper	1
40	C229 1155	Driven Shaft Gear	1
41	C229 3133	Control Plate - Cam Drive	1
42	C229 3194	Pressure Cylinder Gear	1
43	C229 3150	Job Motor Bracket	1
44	AW02 0075	Photointerruptor	1
45	C229 1044	Spacer	1
46	H522 1100	Sensor Guide	1
47	C229 2630	Drum H.P Sensor Ass'y	1
101	0451 4006B	Tapping Screw - 4x6	
102	0720 0060E	Retaining Ring - M6	
103	0720 0080E	Retaining Ring - M8	
104	0574 0050E	Hexagon Headless Set Screw - M4x5	
105	0354 0060B	Screw - M4X6	
106	0353 0040B	Screw - M3X4	
107	0720 0040E	Retaining Ring - M4	
108	1105 0199	Clamp	
109	0313 0060B	Philips Pan Head Screw - M3x6	
110	1105 0008	Nylon Clamp - 2n	
111	0453 4006H	Tapping Screw - M4x6	
112	0574 0040E	Hexagon Headless Set Screw - M4x4	
113	0805 3205	Ball Bearing - 10x19x7mm	
114	0354 0080B	Screw - M4X8	

# 17.Paper Exit Section 1 (C244)

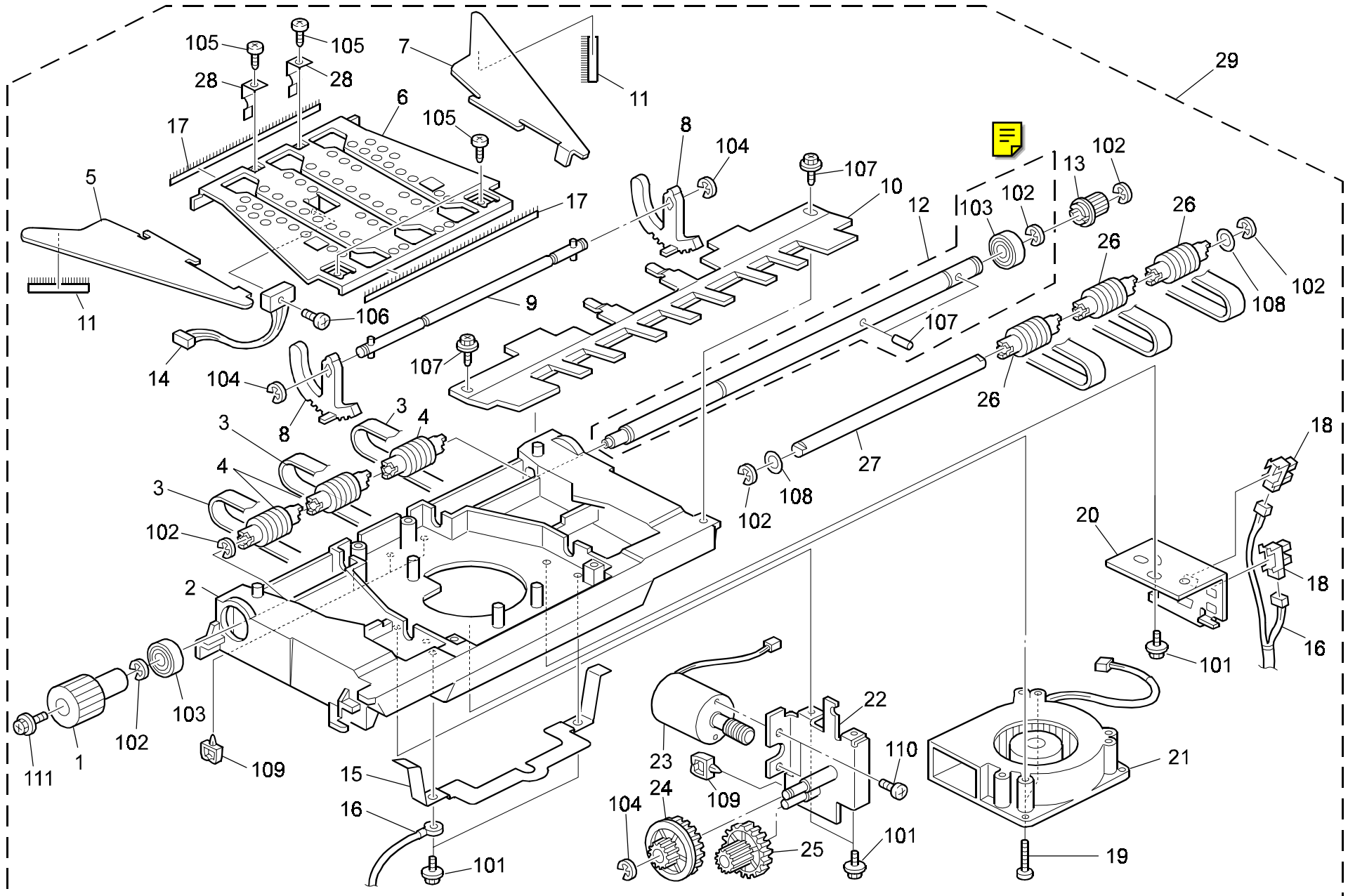


### 17.Paper Exit Section 1 (C244)

Index No.	Part No.	Description	Q'ty Per Assembly
1	C236 3302	Air Knife Duct	1
2	C236 3301	Air Knife Base	1
3	C236 5234	Air Knife Harness	1
4	C239 3303	Exit Cover	1
5	C236 5824	Fan Motor - DC24V 0.85A	1
6	C239 3857	Left Support Cover	1
7	C218 2525	Stepped Screw - M4	1
8	C235 4492	Right Front Paper Guide	1
9	C239 4492	Paper Guide - Rear	1
10	C239 4491	Paper Guide - Front	1
11	C233 4446	Adjusting Plate - Base	1
12	C239 1292	Drum Exit Stay Ass'y	1
13	C233 4405	Antistatic Brush	1
14	C239 3858	Right Support Cover	1
15	C229 4675	Separator Cover Shaft	1
16	C229 4674	Separator Cover Hinge	1
17	C239 4673	Separator Cover	1
18	C229 4676	Separator Cover Spring	1
19	C239 3008	Separation Unit Ass'y	1
20	C229 4677	Cushion	1
21	C235 4494	Right Rear Paper Guide	1
22	C235 4495	Antistatic Brush	1
23	C239 4404	Rear Exit Bracket	1
24	C239 4401	Front Exit Bracket	1

Index No.	Part No.	Description	Q'ty Per Assembly
101	1105 0199	Clamp	
102	0453 4006B	Tapping Screw - 4x6	
103	0451 4006H	Tapping Screw - M4x6	
104	0314 0350Z	Screw - M4X35	
105	0451 3006H	Tapping Screw - 3x6	
106	0720 0020E	Retaining Ring - M2	
107	0451 4008H	Tapping Screw - 4x8	

# 18. Paper Exit Section 2 (C244)





## 18.Paper Exit Section 2 (C244)

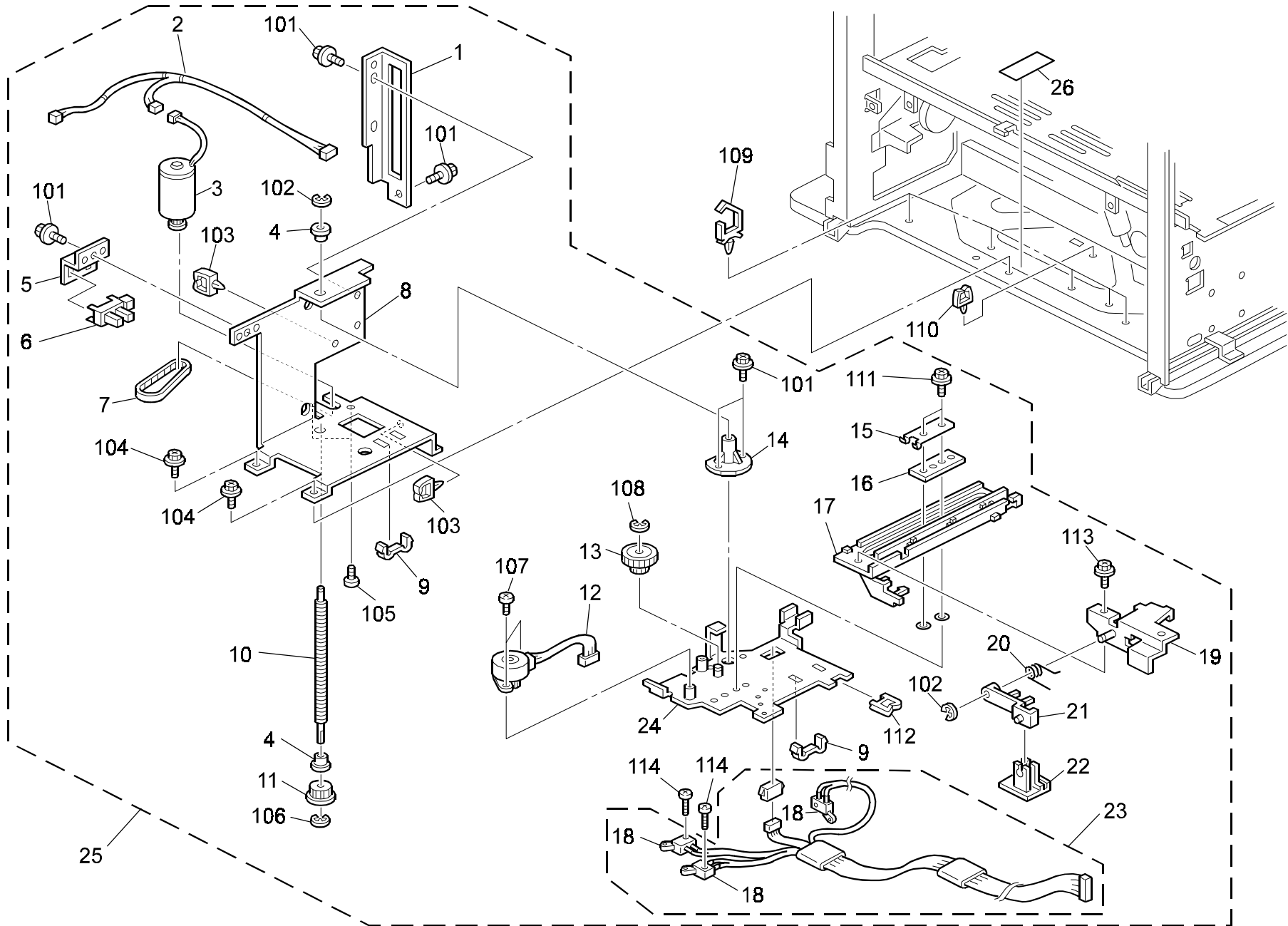


Index No.	Part No.	Description	Q'ty Per Assembly
1	C229 3878	Knob	1
2	C593 4102	Transport Belt Case	1
3	<b>C229 3874</b>	<b>Transport Belt</b>	<b>1</b>
4	C593 4105	Center Roller - Delivery Table	1
5	C593 4106	Front Vacuum Plate	1
6	C593 4100	Vacuum Plate	1
7	C593 4107	Rear Vacuum Plate	1
8	C229 3912	Vacuum Plate Guide Arm	1
9	C593 4109	Transport Belt Drive Shaft	1
10	C236 3942	Pickoff Pawl - Scraper	1
11	C233 3902	Discharge Brush - Adjusting Plate	1
12	C229 3875	Transport Belt Drive Shaft	1
13	C229 3872	Timing Pulley	1
14	C229 5825	Master Sensor	1
15	C593 4112	Grounding Plate	1
16	C236 5222	Vacuum Unit Harness	1
17	C593 4101	Antistatic Brush	1
18	AW02 0075	Photointerruptor	1
19	C593 4111	Tapping Screw	1
20	C593 4108	Wing Position Sensor Bracket	1
21	C593 5824	Fan - DC24V 0.9A	1
22	C229 3913	Motor Bracket	1
23	C229 5804	DC Motor - 20W	1
24	C229 3911	Gear - 25Z/51Z	1
25	C229 3145	Worm Wheel - 50Z/16Z	1
26	C593 4104	Transport Belt Roller	1
27	C593 4103	Transport Belt Shaft	1
28	C593 4113	Grounding Plate	1
29	C236 4004	Vacuum Unit Ass'y	1

Index No.	Part No.	Description	Q'ty Per Assembly
101	0450 4008B	Tapping Screw - 4x8	
102	0720 0080E	Retaining Ring - M8	
103	0740 3010	Ball Bearing - 10x26x8mm	
104	0720 0040E	Retaining Ring - M4	
105	0452 3006B	Tapping Screw - M3x6	
106	0252 0080B	Screw - M2X8	
107	0623 0120E	Spring Pin - M3x12	
108	0807 7013	Spacer - 10.2x14x0.2 mm	
109	1105 0229	Clamp	
110	0353 0040B	Screw - M3X4	
111	0451 4006B	Tapping Screw - 4x6	



# 19. Paper Exit Section 3 (C244)

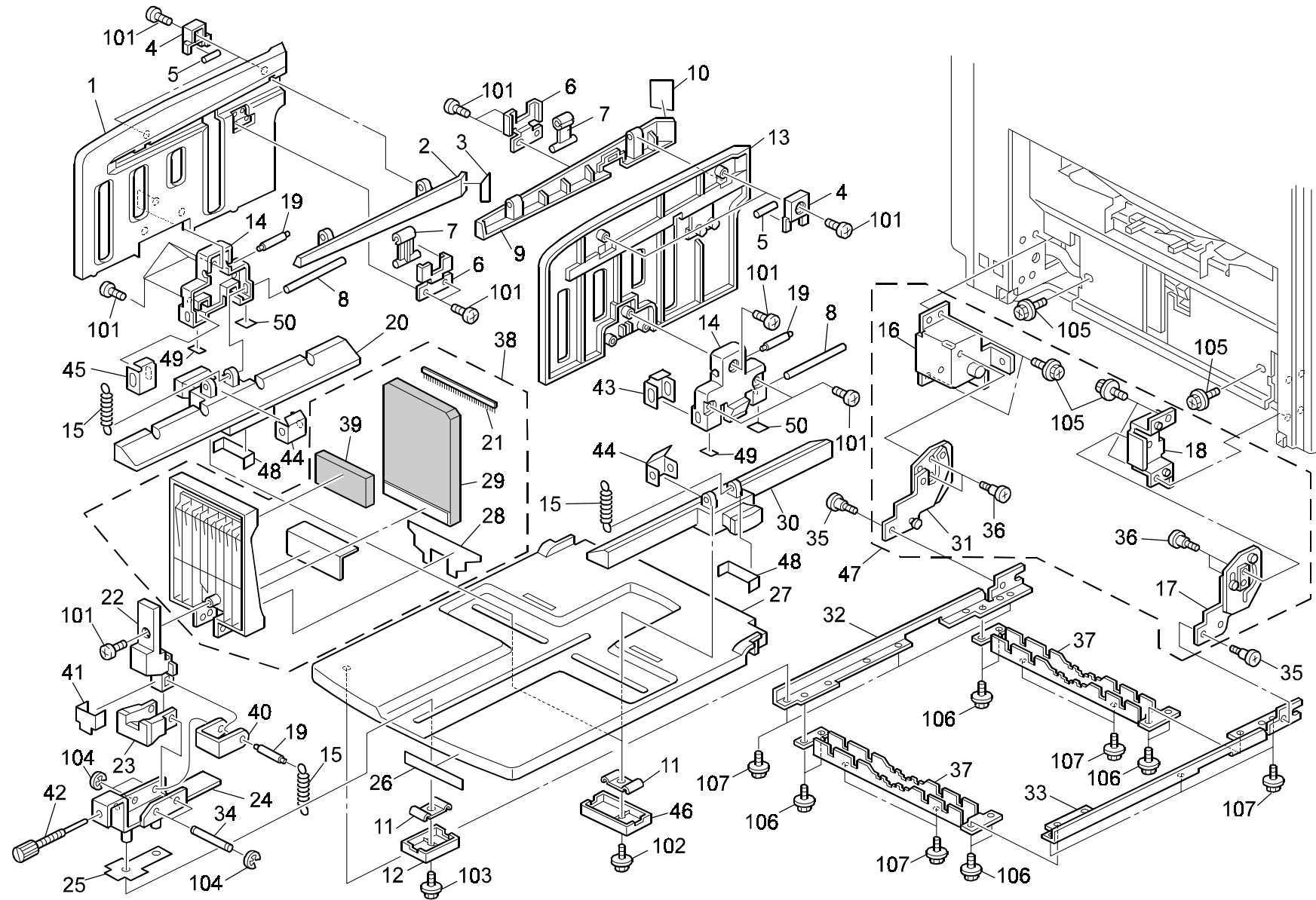


### 19.Paper Exit Section 3 (C244)

Index No.	Part No.	Description	Q'ty Per Assembly
1	C229 4702	Lift Motor Gurd Plate	1
2	C236 5269	Assortment Sensor Harness	1
3	C229 5823	DC Motor - 20W	1
4	5324 1658	Bushing- 4x8x4.5mm	1
5	C229 4671	Sensor Bracket	1
6	AW02 0075	Photointerruptor	1
7	C229 4712	Timing Belt	1
8	C229 4701	Lift Motor Bracket	1
9	C229 4724	Harness Clamp	1
10	C229 4708	Screw Shaft	1
11	C229 4711	Timing Pulley	1
12	C229 5805	Stepper Motor - DC24V	1
13	C229 4715	Slide Drive Gear	1
14	C229 4709	Screw Shaft Boss	1
15	C229 4734	Slider Spring Plate	1
16	C229 4718	Slider Holder	1
17	C229 4725	Separator Slider	1
18	C229 5813	Switch	1
19	C229 4726	Separator Arm Link	1
20	C229 4733	Arm Spring	1
21	C229 4729	Separator Arm	1
22	C229 4730	Separator Arm Holder	1
23	C236 5270	Assortment Harness	1
24	C229 4703	Separator Slider Bracket	1
25	C236 4650	Assortment Ass'y	1
26	C233 4655	Harness Cover Sheet	1

Index No.	Part No.	Description	Q'ty Per Assembly
101	0451 3006B	Tapping Screw - M3x6	
102	0720 0030E	Retaining Ring - M3	
103	1105 0199	Clamp	
104	0451 4006B	Tapping Screw - 4x6	
105	0353 0050B	Philips Truss Head Screw - M3x5	
106	0720 0020E	Retaining Ring - M2	
107	0352 5040B	Bind Screw - M2.5x4	
108	0720 0040E	Retaining Ring - M4	
109	1105 0413	Harness Clamp	
110	1105 0229	Clamp	
111	0451 3008B	Tapping Screw - M3x8	
112	1105 0328	Harness Clamp - ES-0505	
113	0450 3006B	Tapping Screw - M3x6	
114	0241 6060B	Screw - M1.6X6	

# 20.Delivery Table 1 (C244)

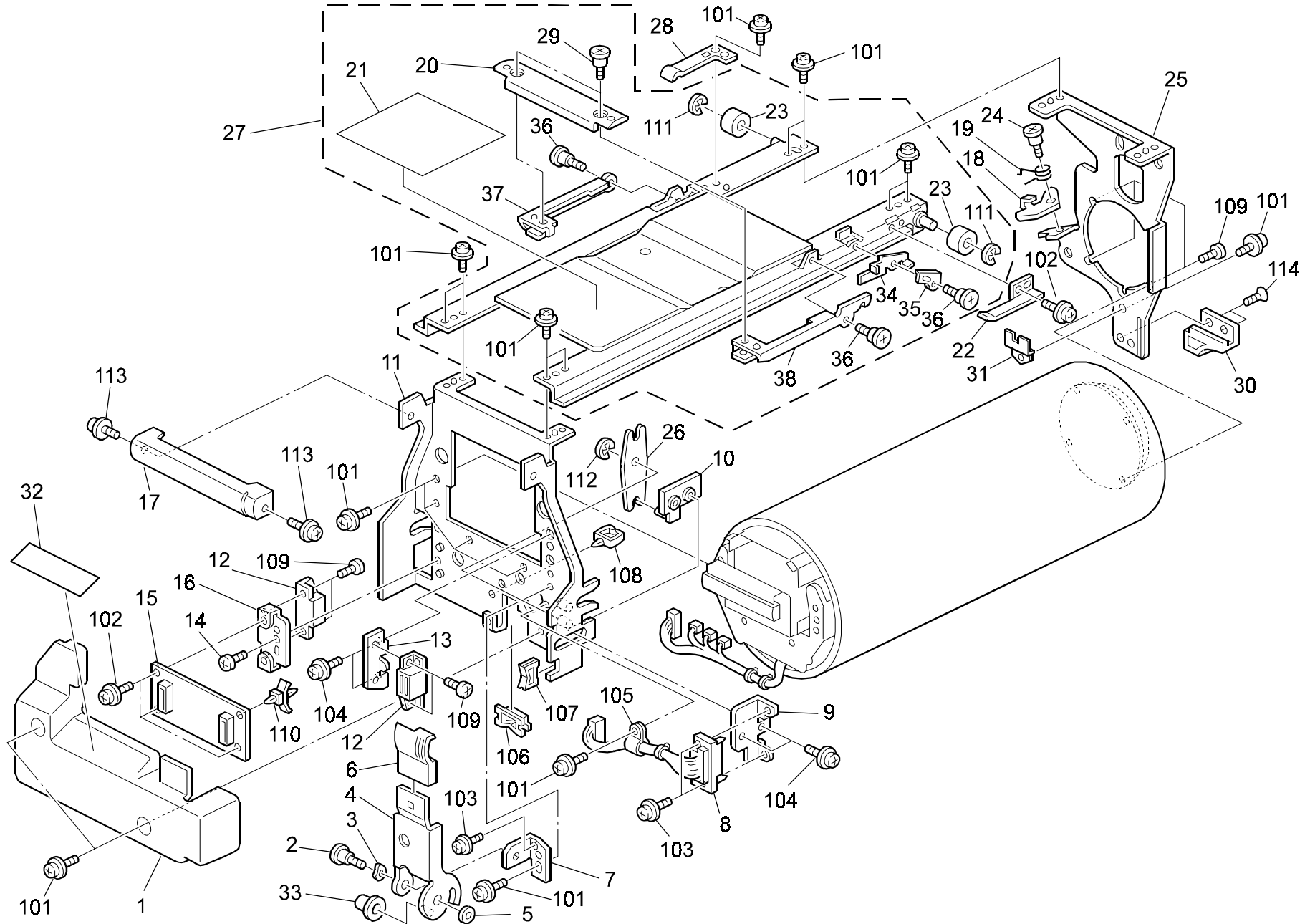


## 20.Delivery Table 1 (C244)

Index No.	Part No.	Description	Q'ty Per Assembly
1	C238 4412	Rear Side Fence	1
2	C238 4416	Rear Wing	1
3	C233 4427	Rear Exit Guide	1
4	C238 4417	Wing Stopper	2
5	C227 6156	Upper Guide Shaft	2
6	C604 4423	Spring Plate	2
7	C238 4425	Wing Link	2
8	C233 4414	Pin - Lower Side Fence	2
9	C238 4415	Front Wing	1
10	C233 4426	Front Exit Guide	1
11	C231 4420	Slider Spring Plate	2
12	C238 4421	Slider Cover	1
13	C238 4411	Front Side Fence	1
14	C238 4413	Side Fence Base	2
15	C231 4413	Delivery Table Spring	3
16	C239 4404	Rear Exit Bracket	1
17	C604 4440	Remover/Install - Exit Front	1
18	C239 4401	Front Exit Bracket	1
19	C231 4415	Upper Side Fence Pin	3
20	C238 4396	Rear Lower Guide	1
21	C233 4430	Antistatic Brush	1
22	C238 4422	End Fence Case	1
23	C238 4406	End Plate Knob	1
24	C604 4410	End Plate Bracket	1
25	C604 4415	Sheet - End Plate	1
27	C238 4390	Paper Exit Base	1
28	C233 4423	End Fence Sheet	1
29	C229 4376	End Fence Cushion	1
30	C238 4395	Front Lower Guide	1
31	C604 4450	Remover/Install - Exit Rear	1
32	C233 4400	Delivery Table Rear Stay	1
33	C233 4399	Delivery Table Front Stay	1
34	C233 4424	Pin - Lower End Fence	2
35	C217 4426	Shoulder Screw	2
36	C604 4453	Knob Screw	2

Index No.	Part No.	Description	Q'ty Per Assembly
37	C231 4409	Support Plate	2
38	C604 4203	End Fence Ass'y	1
39	C604 4432	Cushion End Plate	1
40	C604 4413	Spacer - End Plate	1
41	C604 4414	Cover - End Plate	1
42	C604 4416	Adjusting Screw	1
43	C604 4421	Side Fence Spacer - Rear	1
44	C604 4422	Exit Table Cover	2
45	C604 4420	Side Fence Spacer - Front	1
46	C238 4456	Slider Cover	1
47	C233 1011	Paper Delivery Hinge Ass'y	1
48	C233 4409	Base Spacer - Paper Exit Sub-unit	2
49	C235 4497	Side Fence Spacer Shield Small	2
50	C593 4201	Side Fence Spacer Shield	2
101	0452 3008H	Binding Self-tapping Screw - 3x8	
102	0450 3012B	Tapping Screw - 3x12	
103	0451 3008B	Tapping Screw - M3x8	
104	0720 0030Z	Retaining Ring - M3	
105	0451 4006H	Tapping Screw - M4x6	
106	0451 4006B	Tapping Screw - 4x6	
107	0450 4008B	Tapping Screw - 4x8	

# 21.Drum Unit 1 (C244)

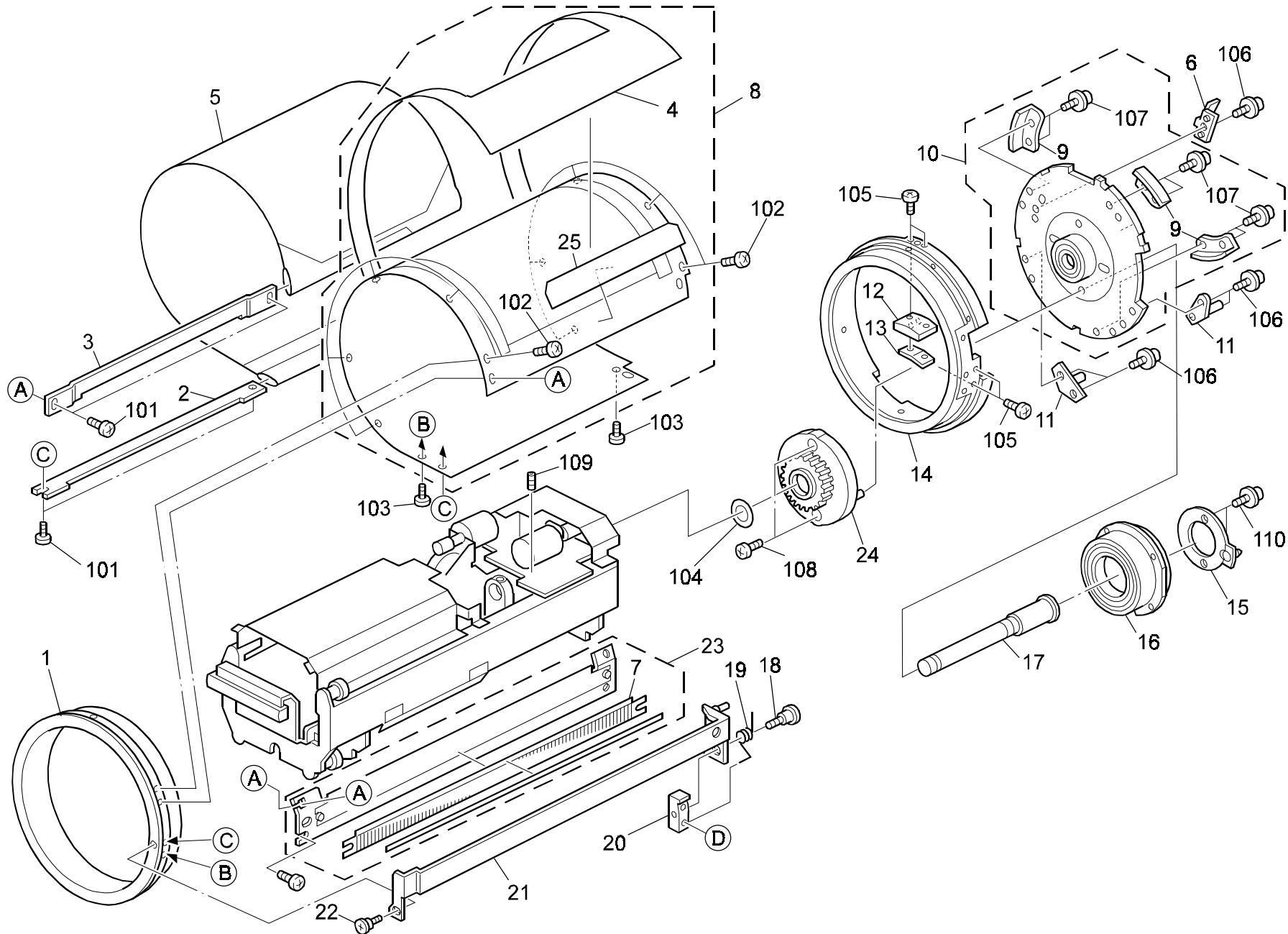


## 21.Drum Unit 1 (C244)

Index No.	Part No.	Description	Q'ty Per Assembly
1	C229 2364	Front Inner Cover	1
2	C219 3950	Stepped Screw	1
3	C217 5102	Spring Washer	1
4	C236 2367	Switch Lever	1
5	AA13 2080	Spacer - Cleaning Brush	1
6	C229 2357	Switch Lever Knob	1
7	C236 2365	Switch Lever Bracket	1
8	C236 5212	Ink Sensor Harness	1
9	C236 2360	Connector Bracket	1
10	C236 2359	Connector Slider	1
11	C236 2351	Front Side Plate Ass'y	1
12	5054 0536	Magnet Catch Ass'y	1
13	C229 2377	Magnet Catch Bracket	1
14	5875 2088	Shoulder Screw - M4	1
15	C229 5140	Ink Detection Board	1
16	C236 2353	Front Bracket - Magnet Catch	1
17	C229 2362	Drum Release Grip	1
18	C229 2405	Drum Stopper Arm	1
19	C229 2406	Drum Lock Spring	1
20	C229 2385	Grip Rail	1
21	C229 2399	Decal - Drum Operation	1
22	C229 2396	Spring Plate	1
23	C201 4604	Drum Rail Roller	1
24	C229 2413	Stepped Screw - Drum Lock	1
25	C229 2441	Rear Drum Frame	1
26	C236 2608	Switch Arm	1
27	C229 2313	Drum Rail Ass'y	1
28	C229 2394	Spring Plate	1
29	C201 5125	Stepped Screw - M6	1
30	C233 2645	Rear Drum Frame Stand	1
31	C229 2644	Rear Drum Frame Aux.	1
32	C233 1295	Decal - Ink Supply	1
33	C236 2370	Lever Collar	1
34	C229 2391	Stopper Bracket	1
35	C229 2392	Stopper Guide	1

Index No.	Part No.	Description	Q'ty Per Assembly
36	C229 2390	Stepped Screw	1
37	C229 2397	Left Bracket	1
38	C229 2398	Right Bracket	1
101	0951 4006Z	Philips Screw With Flat Washer - M4	
102	0951 3006Z	Philips Screw With Flat Washer - M3	
103	0951 3008Z	Philips Screw With Flat Washer - M3	
104	0951 4008Z	Philips Screw With Flat Washer - M4x8	
105	1105 0016	Nylon Clamp - 4n	
106	1105 0113	Edge - P108	
107	1105 0329	Clamp - ES-0510	
108	1105 0199	Clamp	
109	0353 0060Z	Screw - M3X6	
110	1105 0193	Nylon Stud	
111	0720 0040E	Retaining Ring - M4	
112	0720 0050Z	Retaining Ring - M5	
113	0801 0103	Screw - M4X8	

# 22.Drum Unit 2 (C244)



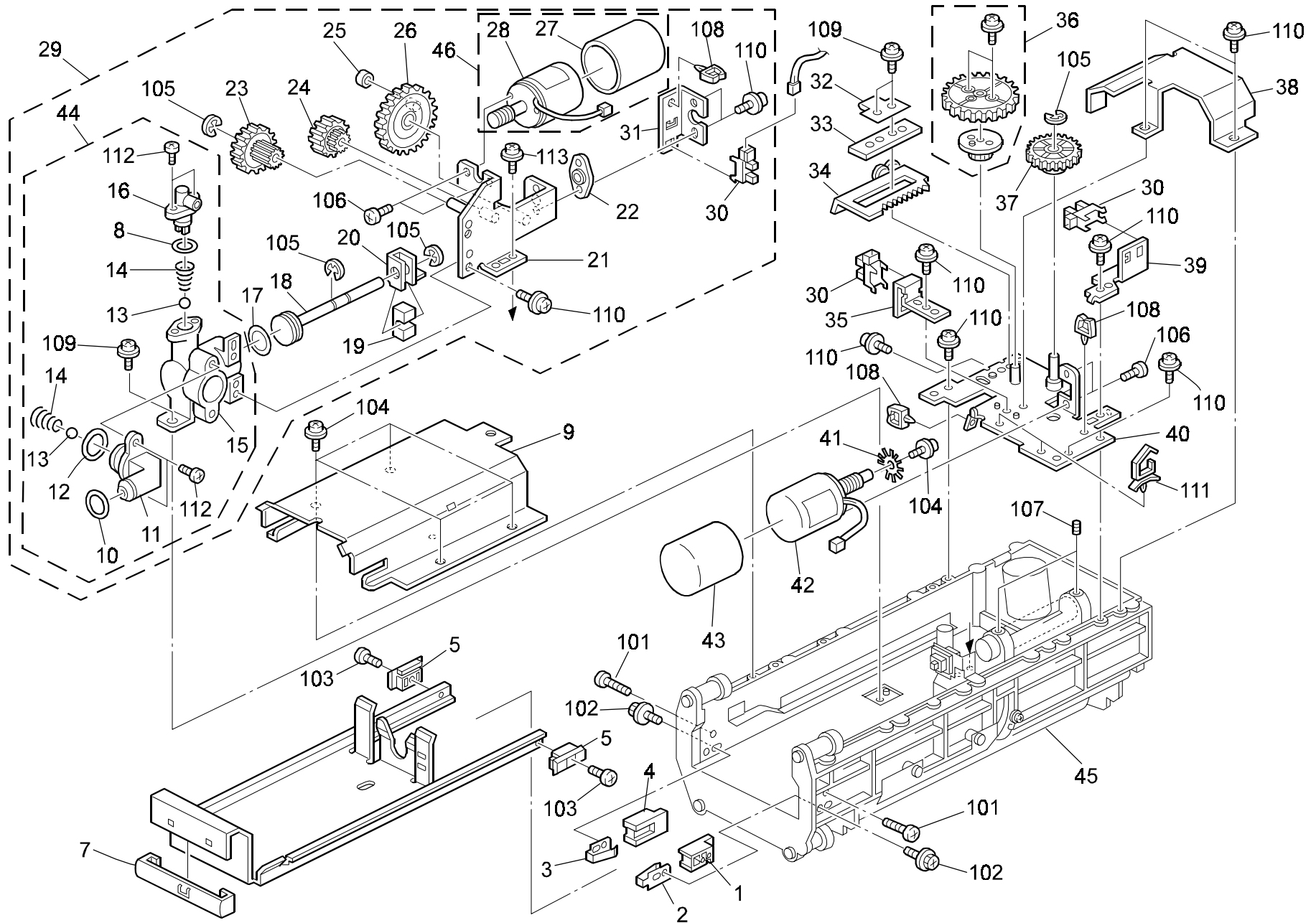


## 22.Drum Unit 2 (C244)

Index No.	Part No.	Description	Q'ty Per Assembly
1	C236 2420	Front Outer Flange - S	1
2	C236 2479	Rear Screen Stay	1
3	C229 2596	Front Screen Clamper	1
4	C236 2493	Drum Metal Screen Shield Sub Ass'y	1
4	C236 2496	Drum Metal Screen Shield - DLT	1
4	C605 2493	Drum Metal Screen Shield - A4	1
5	<b>C236 2316</b>	<b>Shield Screen Ass'y</b>	<b>1</b>
6	C229 2434	Switch Acuator	1
7	C229 2605	Clamper Seal	1
8	C236 2491	Drum Metal Screen Sub Ass'y	1
8	C236 2495	Drum Metal Screen Ass'y - DLT	1
8	C605 2491	Drum Metal Screen Ass'y - A4	1
9	C229 2428	Slider	1
10	C229 2419	Rear Drum Disk	1
11	C229 2431	Drum Positioning Pin	1
12	C229 2423	Fixing Plate	1
13	C229 2424	Plate Nut	1
14	C229 2422	Rear Outer Flange	1
15	C229 2379	Drum Guide Disk	1
16	C229 2442	Rear Drum Flange	1
17	C229 2647	Drum Shaft	1
18	5350 1754	Stud - M5x4	1
19	C236 2596	Clamp Spring	1
20	C236 2595	Clamp Protection	1
21	C236 2590	Clamper Ass'y	1
22	C229 2601	Front Stepped Screw	1
23	C236 2591	Clamper Base	1
24	C229 2435	Drive Gear - 50Z	1
25	C236 2498	Drum Metal Screen Shield	1

Index No.	Part No.	Description	Q'ty Per Assembly
101	0354 0060Z	Philips Truss Head Screw - M4x6	
102	0353 0060Z	Screw - M3X6	
103	0354 0040Z	Screw - M4X4	
104	0807 7114	Washer - 16x24x0.3mm	
105	0353 0100Z	Bind Screw - M3x10	
106	0951 4006Z	Philips Screw With Flat Washer - M4	
107	0951 4008Z	Philips Screw With Flat Washer - M4x8	
108	0314 0080Z	Philips Screw - 4x8	
109	0574 0040E	Hexagon Headless Set Screw - M4x4	
110	0594 0100Z	Bolt - M4x10	

# 23.Drum Unit 3 (C244)

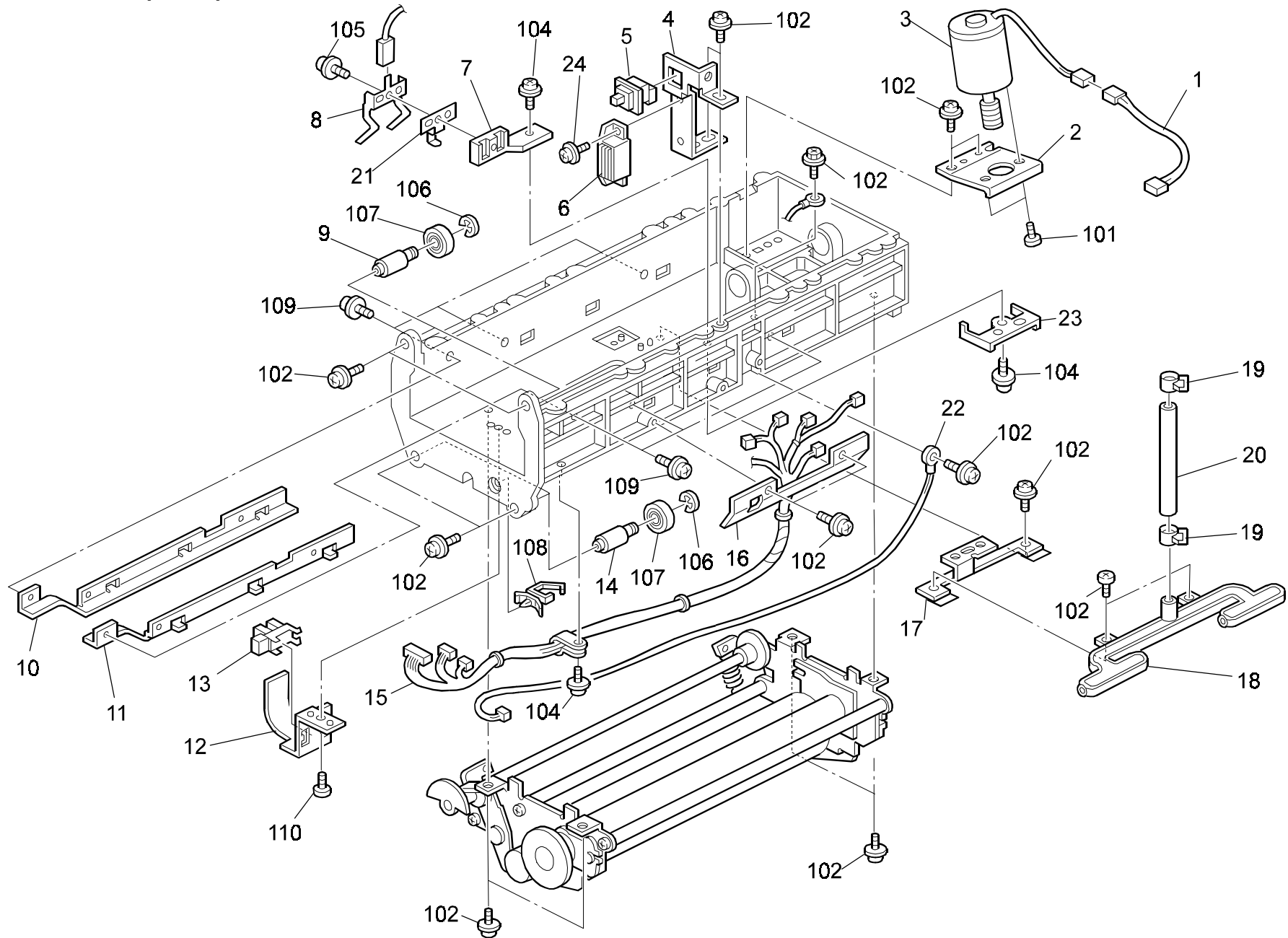


## 23.Drum Unit 3 (C244)

Index No.	Part No.	Description	Q'ty Per Assembly
1	C229 2496	Right Guide - Slide Rail	1
2	C229 2493	Right Ink Holder	1
3	C229 2500	Left Ink Holder	1
4	C229 2499	Left Guide - Slide Rail	1
5	C229 2488	Ink Holder Slider	1
7	C229 2487	Ink Holder Knob	1
8	C229 2514	O-ring P9	1
9	C229 2498	Ink Cartridge Cover	1
10	C229 2515	O-ring P10	1
11	C229 2509	Ink Supply Pump	1
12	C229 2516	O-ring P14	1
13	5600 1403	Ball	1
14	C224 4715	Pump Spring - 13 Mm	1
15	C229 2532	Pump Case	1
16	C229 2510	Pump Cap	1
17	C229 2517	O-ring P16	1
18	C229 2511	Pump Shaft	1
19	C229 2519	Pump Shaft Guide	1
20	C229 2518	Pump Shaft Holder	1
21	C229 2520	Pump Drive Bracket	1
22	C229 2531	Pump Shaft Bushing	1
23	C229 2528	Worm Gear	1
24	C229 2527	Pump Gear	1
25	C229 2525	Bushing - Pump Drive Gear	1
26	C229 2526	Large Drive Gear	1
27	C229 2537	Pump Motor Cover	1
28	C229 5803	DC Motor - 50W	1
29	C236 2501	Drum Pump Ass'y	1
30	AW02 0075	Photointerruptor	1
31	C229 2530	Ink Pump Sensor Bracket	1
32	C229 2609	Spring Plate	1
33	C229 2580	Slide Fixed Plate	1
34	C229 2583	Slider	1
35	C229 2581	Drum H.P Sensor Bracket	1
36	C229 2624	Shift Drive Gear	1

Index No.	Part No.	Description	Q'ty Per Assembly
37	C229 2576	Worm Gear	1
38	C229 2589	Drum Shift Cover	1
39	C229 2582	Drum Shift Sensor Bracket	1
40	C229 2571	Shift Motor Bracket	1
41	C229 1177	Shift Sensor Encoder	1
42	C229 5820	DC Motor - 20W	1
43	C229 2590	Shift Motor Cover	1
44	C229 2502	Ink Pump Ass'y	1
45	C233 2541	Drum Unit Frame	1
46	C229 2529	Ink Supply Motor	1
101	0314 0120Z	Philips Screw - 4x12	
102	0450 3008B	Tapping Screw - M3x8	
103	0353 0040B	Screw - M3X4	
104	0951 3006Z	Philips Screw With Flat Washer - M3	
105	0720 0050Z	Retaining Ring - M5	
106	0353 0040B	Screw - M3X4	
107	0574 0040E	Hexagon Headless Set Screw - M4x4	
108	1105 0199	Clamp	
109	0951 4008Z	Philips Screw With Flat Washer - M4x8	
110	0951 4006Z	Philips Screw With Flat Washer - M4	
111	1105 0310	Harness Clamp - LWS-1S	
112	0314 0060Z	Philips Pan Head Screw - M4x6	

# 24.Drum Unit 4 (C244)

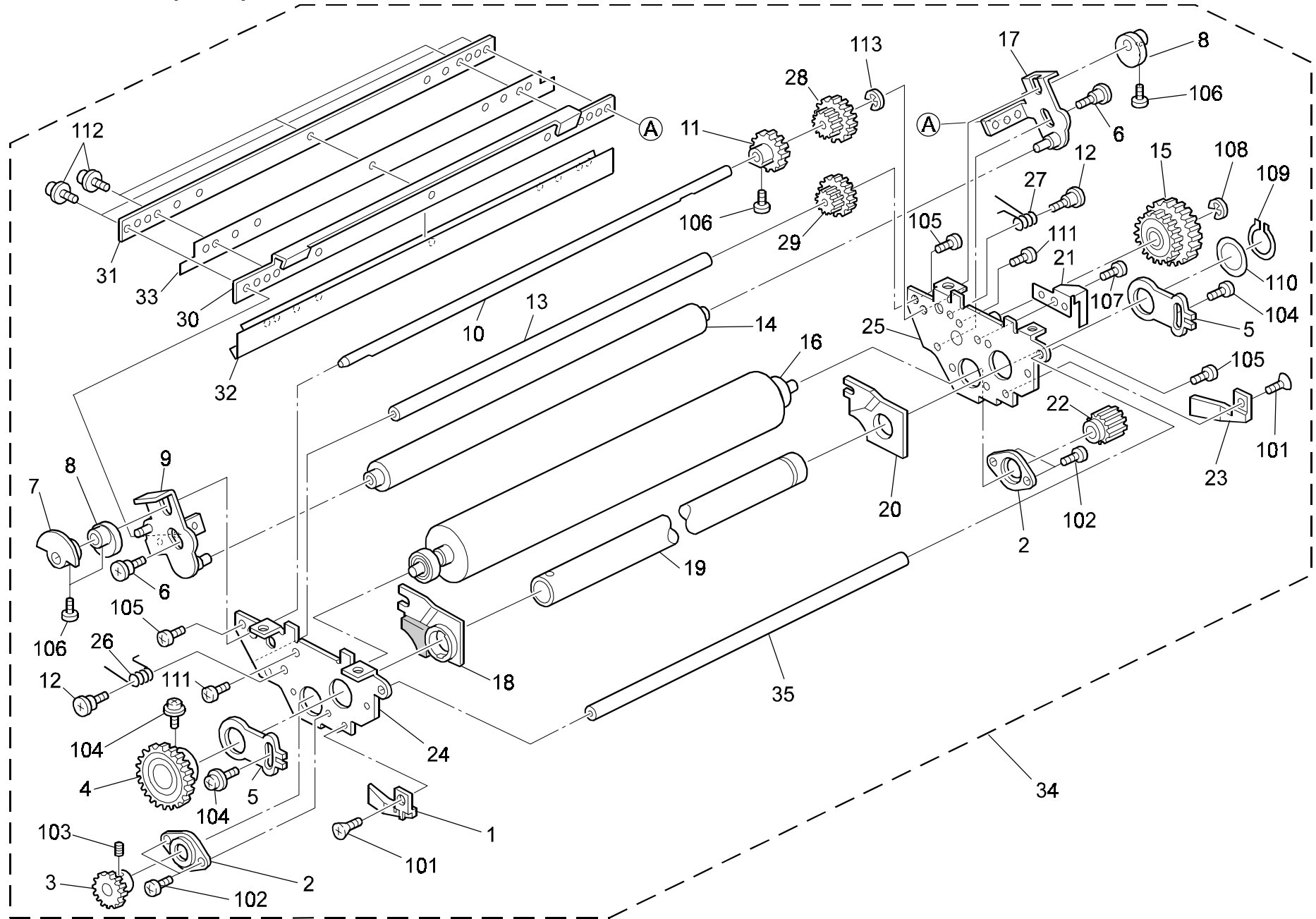


## 24.Drum Unit 4 (C244)

Index No.	Part No.	Description	Q'ty Per Assembly
1	C229 5256	Harness - Oil Supply Motor	1
2	C229 2558	Motor Bracket	1
3	C229 5804	DC Motor - 20W	1
4	C229 2490	Ink Bottle Bracket	1
5	AW50 0012	Push Switch	1
6	5054 0536	Magnet Catch Ass'y	1
7	C229 2491	Ink Sensor Bracket	1
8	C233 2493	Ink Sensor Terminal	1
9	C229 2369	Bearing Shaft	1
10	C229 2494	Left Slide Rail	1
11	C229 2495	Right Slide Rail	1
12	C229 2563	Sensor Bracket	1
13	AW02 0075	Photointerruptor	1
14	C229 2371	Bearing Shaft - Lower Left	1
15	C236 5214	Drum Unit Harness	1
16	C229 2542	Harness Cover	1
17	C229 2534	Distributor Bracket	1
18	C229 2535	Ink Distributor	1
19	C209 4713	Hose Band	1
20	C229 2538	Ink Tube	1
21	C233 2496	Ink Sensor Terminal - Center	1
22	AW10 0022	Optics Thermistor	1
23	C233 2491	Ink Sensor Shield	1
24	C593 3120	Magnet Catch Screw M3x6	1

Index No.	Part No.	Description	Q'ty Per Assembly
101	0353 0040B	Screw - M3x4	
102	0951 4006Z	Philips Screw With Flat Washer - M4	
103	1105 0016	Nylon Clamp - 4n	
104	0951 4008Z	Philips Screw With Flat Washer - M4x8	
105	0450 4008B	Tapping Screw - 4x8	
106	0720 0050Z	Retaining Ring - M5	
107	0740 3206	Ball Bearing - 6x19x6	
108	1105 0310	Harness Clamp - LWS-1S	
109	0951 3006Z	Philips Screw With Flat Washer - M3	
110	0354 0040Z	Screw - M4X4	

# 25.Drum Unit 5 (C244)

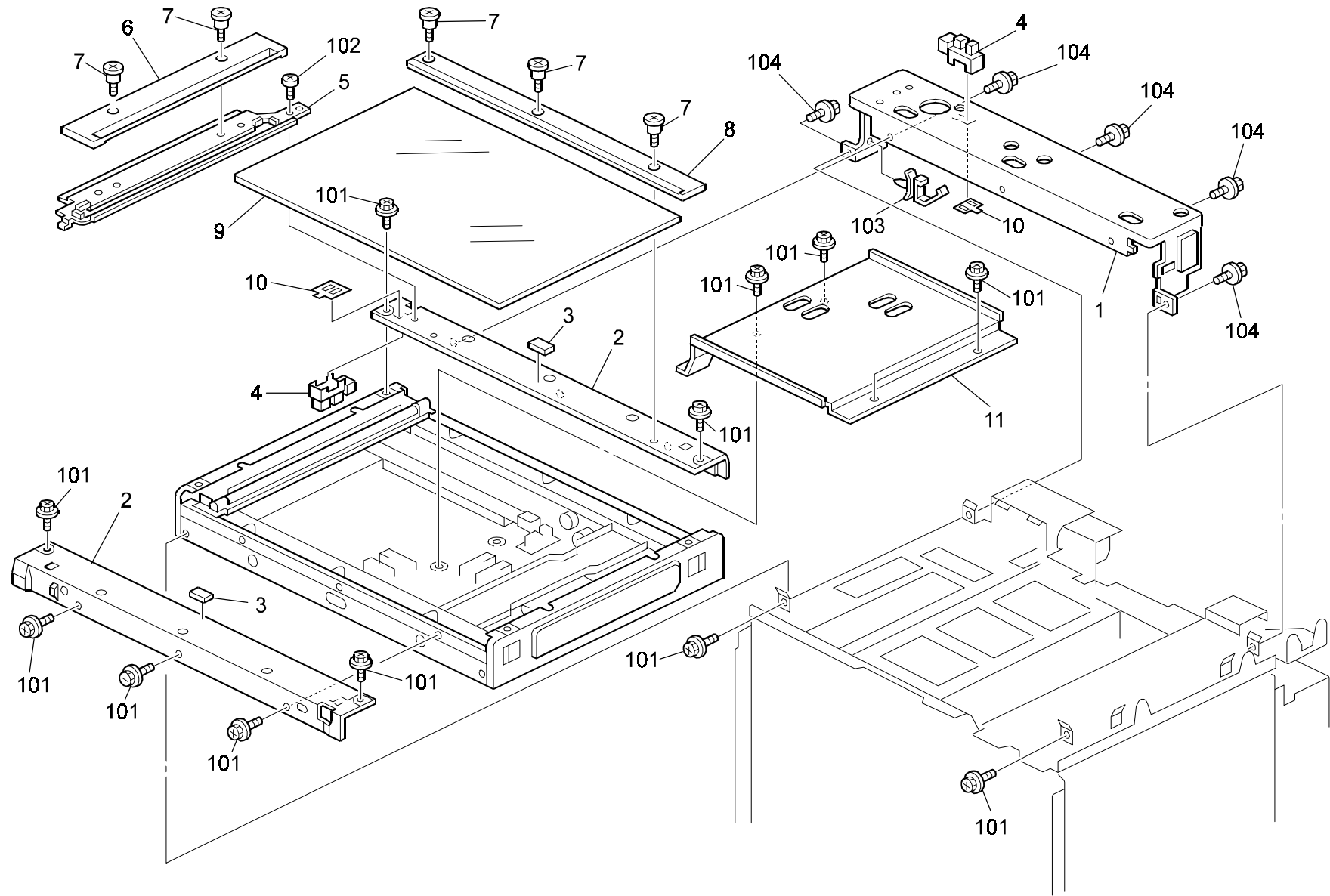


## 25.Drum Unit 5 (C244)

Index No.	Part No.	Description	Q'ty Per Assembly
1	C229 2470	Front Ink Blade	1
2	C201 4665	Bearing Holder	1
3	C229 2478	Gear - 19Z	1
4	C229 2459	Gear - 37Z	1
5	C229 2473	Adjusting Plate - Doctor Roller	1
6	C201 5125	Stepped Screw - M6	1
7	C229 2550	Sensor Actuator	1
8	C229 2557	Ink Supply Roller Arm	1
9	C236 2543	Idling Roller Arm-front	1
10	C236 2567	Arm Shaft	1
11	C236 2566	Return Gear	1
12	C225 6135	Stepped Screw	1
13	C236 2464	Side Plate Stay	1
14	C236 2540	Oil Supply Roller Ass'y	1
15	C236 2466	Middle Drive Gear	1
16	C229 2451	Ink Roller	1
17	C236 2544	Idling Roler Arm-rear	1
18	C229 2450	Front Bank Plate	1
19	C229 2458	Doctor Roller	1
20	C229 2466	Rear Bank Plate	1
21	C236 2465	Ground Plate - Ink Roller	1
22	C229 2646	Gear Z16	1
23	C229 2471	Rear Ink Blade	1
24	C236 2461	Front Side Plate	1
25	C236 2462	Rear Side Plate	1
26	C236 2562	Front Spring	1
27	C236 2563	Rear Spring	1
28	C236 2564	Worm Wheel Gear	1
29	C236 2565	Ink Middle Gear	1
30	C236 2558	Blade Bracket	1
31	C236 2559	Blade Stay	1
32	C236 2560	Oil Blade	1
33	C236 2561	Ink Shield	1
34	C236 2305	Oil Supply Roller Ass'y	1
35	C229 2479	Support Stay	1

Index No.	Part No.	Description	Q'ty Per Assembly
101	0323 0060Z	Philips Sunk Screw - M3x6	
102	0313 0040Z	Philips Pan Head Screw - M3x4	
103	0574 0040E	Hexagon Headless Set Screw - M4x4	
104	0951 3006Z	Philips Screw With Flat Washer - M3	
105	0314 0060Z	Philips Pan Head Screw - M4x6	
106	0312 5050Z	Philips Pan Head Screw - M2.5x5	
107	0353 0040B	Screw - M3X4	
108	0720 0080Z	Retaining Ring - M8	
109	0725 0160E	Retaining Ring C - M16	
110	0807 7114	Washer - 16x24x0.3mm	
111	0314 0080Z	Philips Screw - 4x8	

## 26.Scanner Unit 1 (C244)



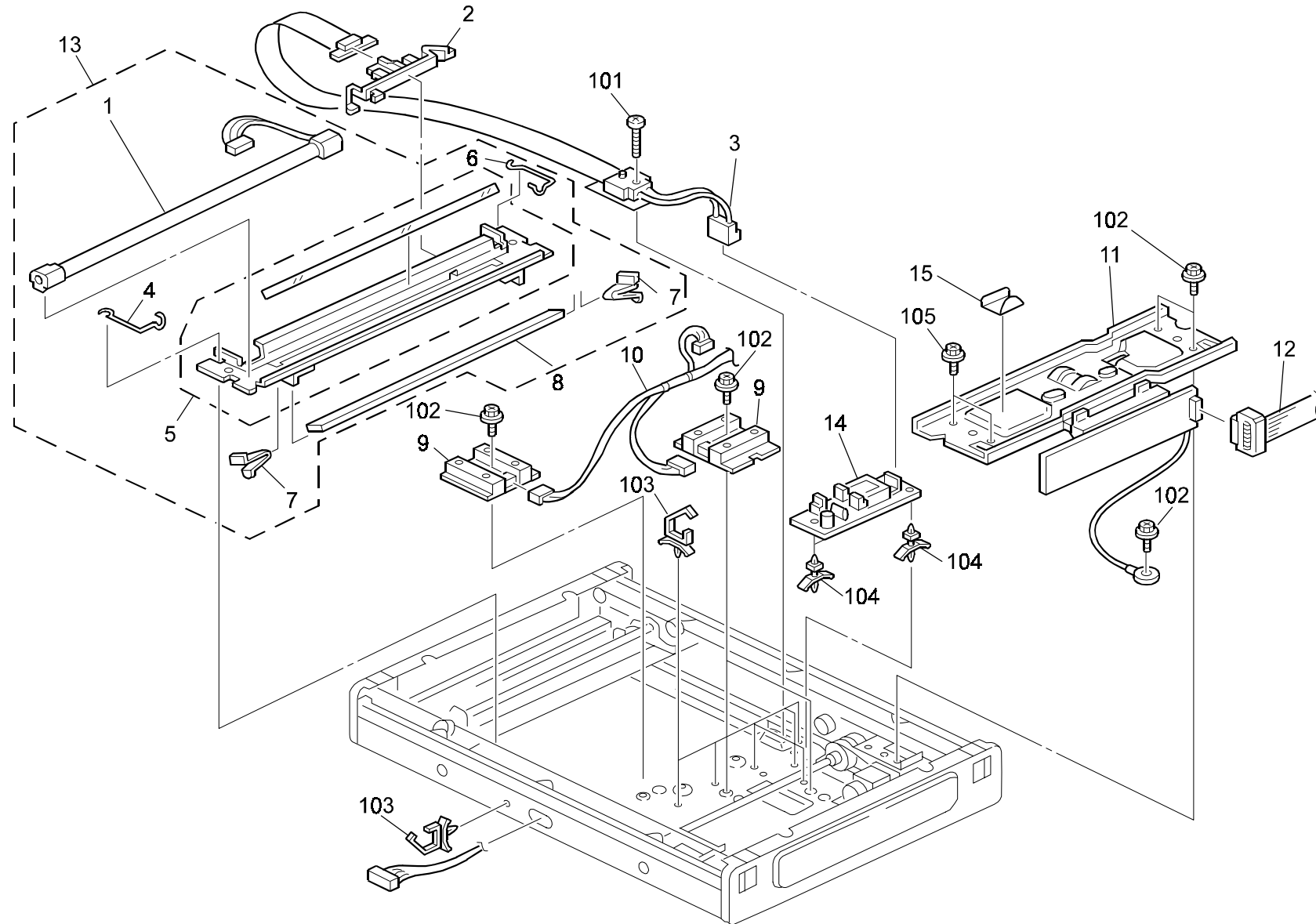


## 26.Scanner Unit 1 (C244)

Index No.	Part No.	Description	Q'ty Per Assembly
1	A267 1814	Hinge Bracket - Platen Cover	1
2	A267 1813	Scanner Frame	1
3	5442 1924	Exposure Glass Cushion	1
4	AW02 0086	Photointerruptor	1
5	A267 1743	Bracket - Scale	1
6	B024 1680	Left Scale	1
7	A193 1759	Stepped Screw	1
8	B024 1701	Inner Back Scale	1
9	A250 1752	Exposure Glass	1
10	A267 1820	Sheet - Photointerrupter	1
11	A267 1815	Right Inner Cover	1

Index No.	Part No.	Description	Q'ty Per Assembly
101	0451 3006B	Tapping Screw - M3x6	
102	0353 0050Z	Philips Truss Head Screw - M3x5	
103	0802 5276	Tapping Screw With Washer - M3x6	
104	0451 3008B	Tapping Screw - M3x8	
105	1105 0460	Clamp	

## 27.Scanner Unit 2 (C244)

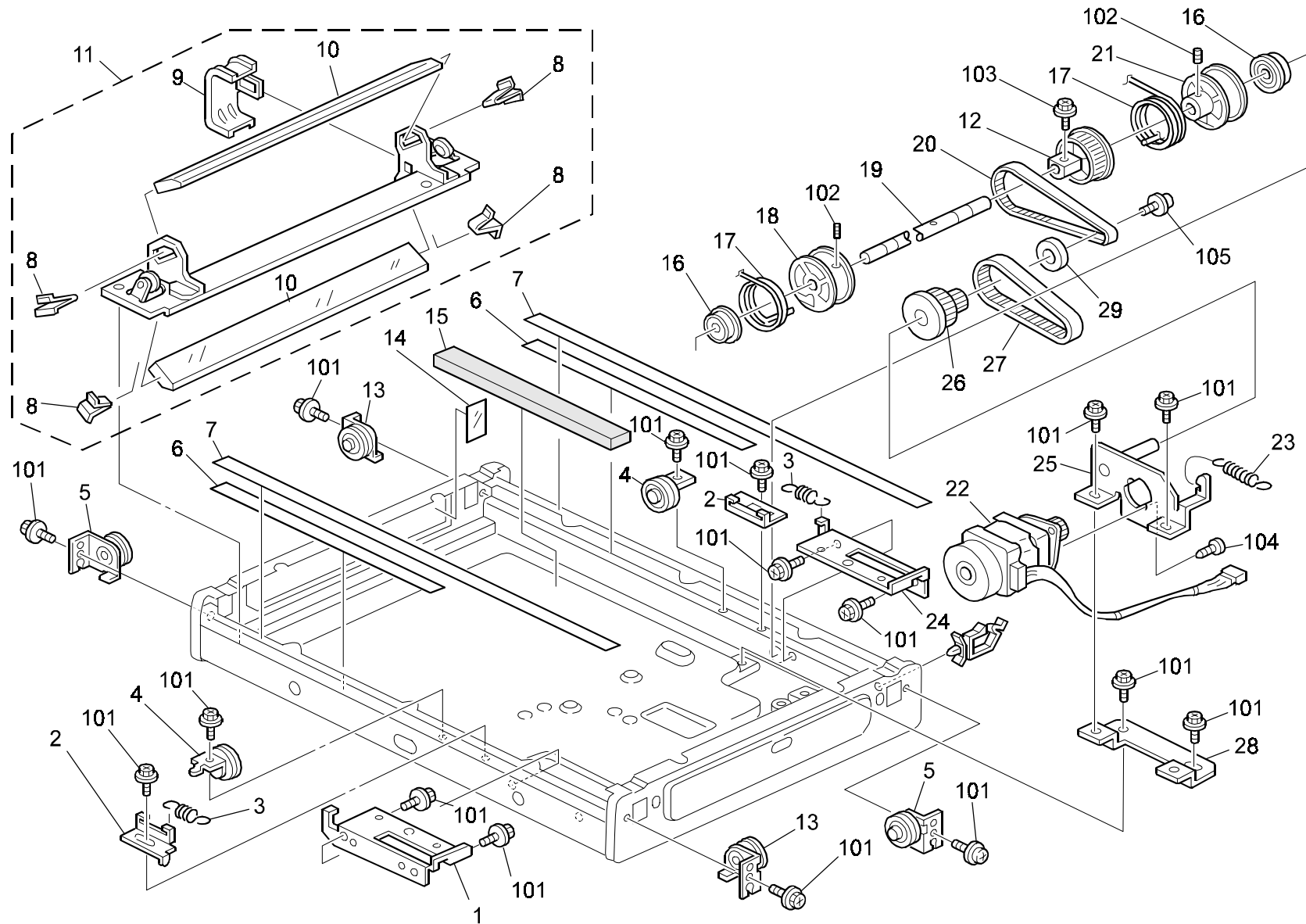


## 27.Scanner Unit 2 (C244)

Index No.	Part No.	Description	Q'ty Per Assembly
1	C236 1672	Xenon Lamp - 10	1
2	A267 1758	Harness Guide - Exposure Lamp	1
3	A267 5703	Flexible Cable	1
4	A193 1766	Wire Clamp	1
5	A267 1752	1st Scanner Housing	1
6	A193 1769	Clamp - Rear Wire	1
7	A193 1767	1st Mirror Holder	1
8	A250 1784	1st Mirror	1
9	A250 1761	Original Sensor - H=2-66	1
10	C236 5220	Scanner Harness	1
11	C236 1673	Lens Ass'y	1
12	C236 5209	Sbu Harness	1
13	C236 1655	Carriage No.1 Ass'y	1
14	A250 5736	Lamp Stabilizer	1
15	C236 1719	Ground Plate - Scanner Unit	1

Index No.	Part No.	Description	Q'ty Per Assembly
101	0453 3014B	Tapping Screw - M3x14	
102	0802 5276	Tapping Screw With Washer - M3x6	
103	1105 0460	Clamp	
104	1105 0195	PCB Stud	
105	0451 3006B	Tapping Screw - M3x6	

# 28.Scanner Unit 3 (C244)

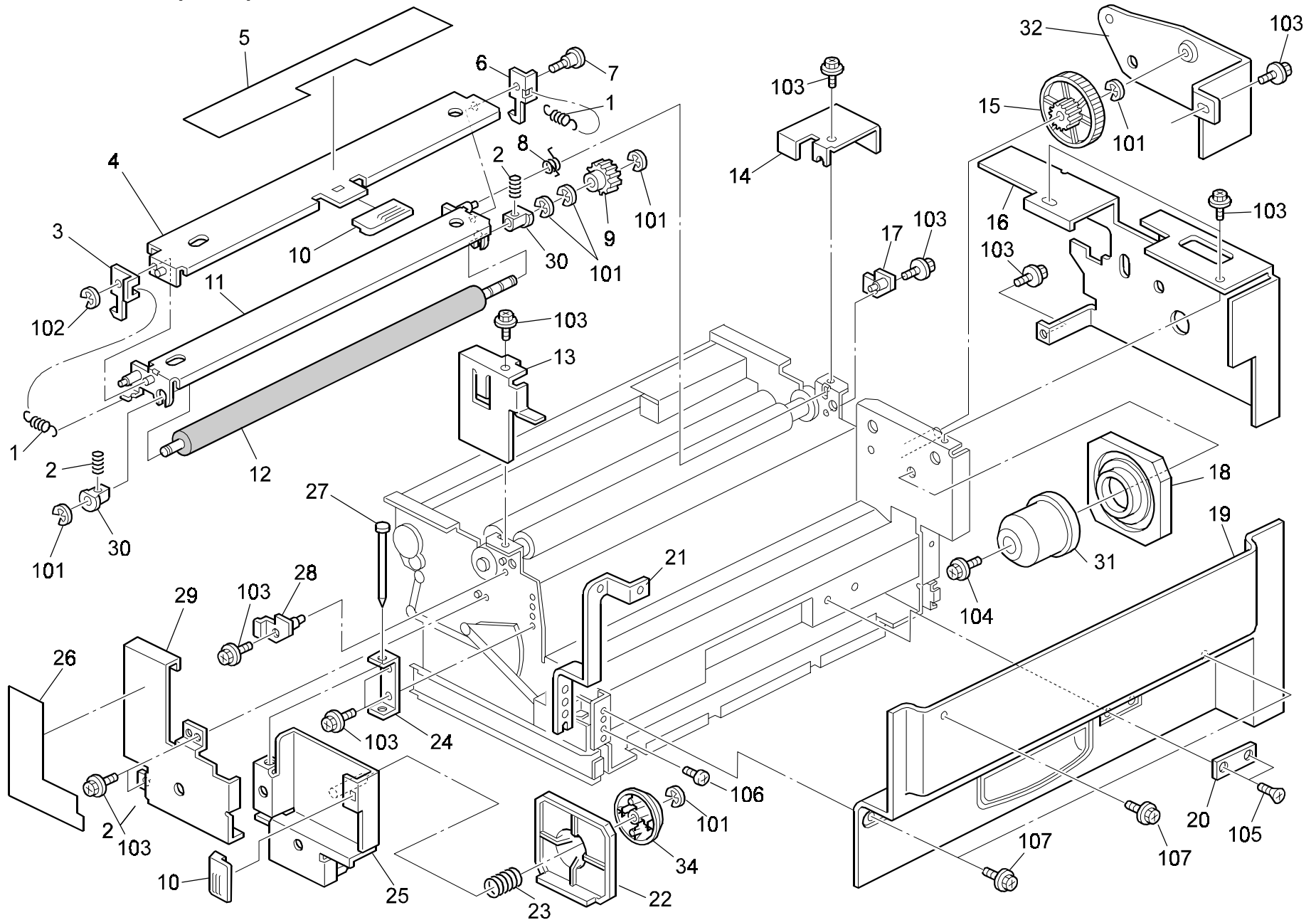


## 28.Scanner Unit 3 (C244)

Index No.	Part No.	Description	Q'ty Per Assembly
1	A267 1811	Front Stay Bracket	1
2	A267 1849	Tension Bracket	1
3	A193 1783	Tension Spring	1
4	A267 1846	Idler Bracket	1
5	A267 1853	Pulley - Front Left	1
6	A267 1817	Slide Rail - 2	1
7	A193 1816	1st Slide Rail	1
8	A267 1777	Mirror Holder	1
9	A267 1776	Guide - FPC	1
10	AC03 0123	3rd Mirror	1
11	A267 1671	Carriage - No.2 Ass'y	1
12	AB03 0630	Timing Pulley - 60T	1
13	A267 1854	Pulley - Rear Left	1
14	A267 1819	Insulating Sheet - Side Plate	1
15	A267 1816	Guide - Flexible Board	1
16	A193 1829	Ball Bearing - M8	1
17	AA05 0107	Scanner Wire	1
18	AB03 2066	Front Pulley - Wire Drive	1
19	A267 1825	Scanner Drive Shaft	1
20	C236 1822	Timing Belt - B60S2M186	1
21	AB03 2067	Rear Pulley - Wire Drive	1
22	C236 1825	Stepper Motor - Ass'y	1
23	C236 1816	Tension Spring 8215mn	1
24	A267 1812	Rear Stay Bracket	1
25	C236 1817	Motor Bracket	1
26	C236 1812	Pulley - Slow Down Ass'y	1
27	C236 1821	Timing Belt - B60S2M140	1
28	C236 1815	Stepper Motor Base	1
29	C236 1829	Slow Down Flange - MM15	1

Index No.	Part No.	Description	Q'ty Per Assembly
101	0451 3006B	Tapping Screw - M3x6	
102	0575 0050E	Hexagon Headless Set Screw - M5x5	
103	0451 3008B	Tapping Screw - M3x8	
104	0313 0050B	Philips Pan Head Screw - M3x5	
105	0951 3006Z	Philips Screw With Flat Washer - M3	

# 29. Plotter Unit 1 (C244)

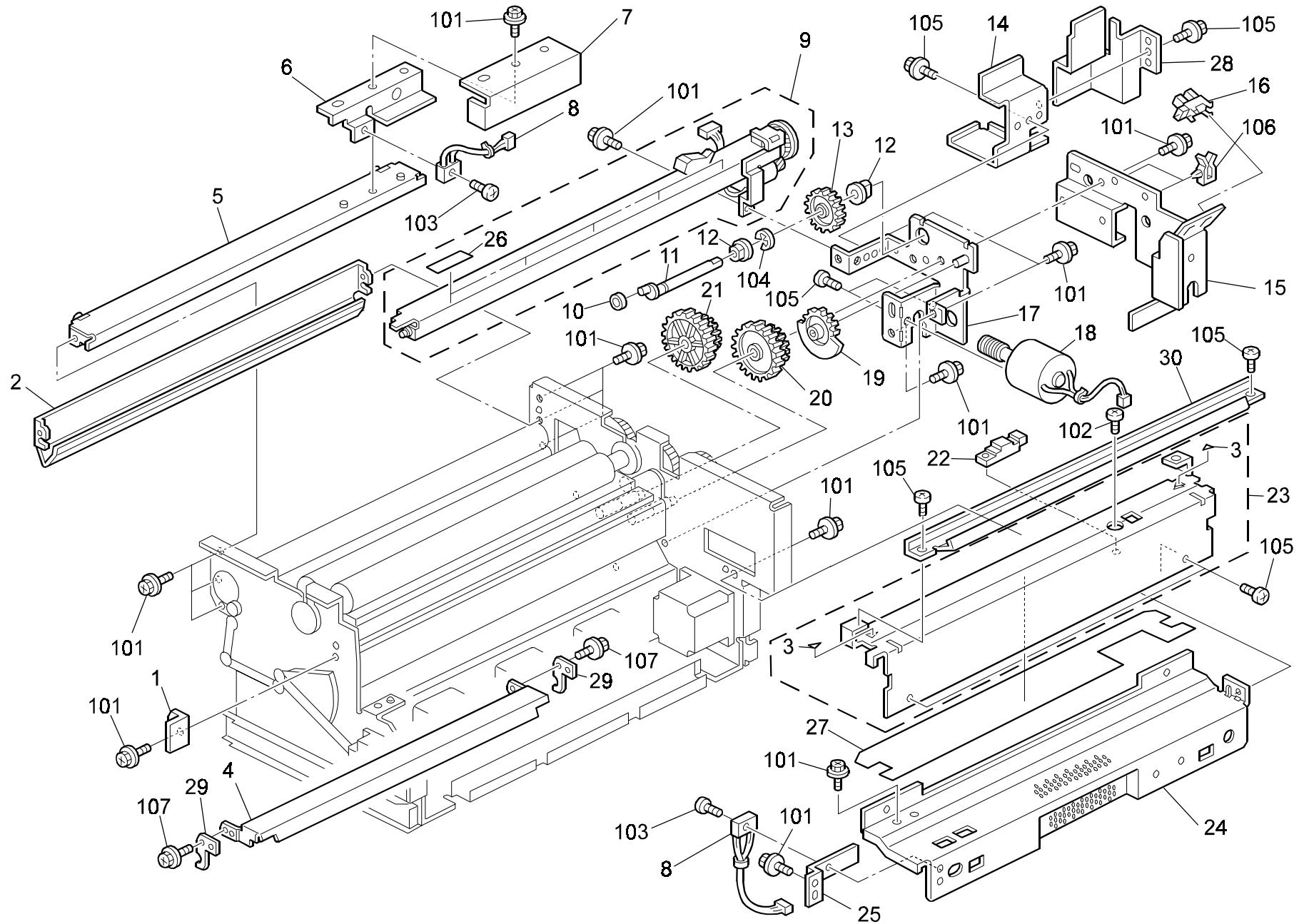


## 29.Plotter Unit 1 (C244)

Index No.	Part No.	Description	Q'ty Per Assembly
1	C229 2159	Pressure Spring	1
2	C236 2004	Compression Spring	1
3	C229 2148	Left Arm - Master Feed Roller	1
4	C239 2150	Master Roller Bracket	1
5	C239 2138	Decal - Master Set	1
6	C229 2149	Right Arm - Master Feed Roller	1
7	A077 4162	Shoulder Screw - M3	1
8	C229 2160	Release Spring	1
9	C229 2161	Master Feed Roller Gear	1
10	C229 2158	Master Feed Roller Knob	1
11	C239 2151	Master Feed Roller Stay	1
12	C233 2157	Master Feed Roller	1
13	C236 1976	Front Stopper	1
14	C236 1983	Platen Stopper Ass'y	1
15	C229 2028	Maser Roll Pulley	1
16	C229 1982	Rear Cover	1
17	C236 2170	Rear Pin - Operation Panel	1
18	C236 2183	Rear Flange	1
19	C239 2132	Plotter Cover	1
20	C213 2435	Magnet Plate	1
21	C229 1979	Stay - Plotter Cover	1
22	C236 2196	Front Flange Ass'y	1
23	C236 2190	Master Pressure Spring	1
24	C229 2188	Front Master Stay	1
25	C229 2193	Front Bracket - Master Flange	1
26	C239 1978	Decal - Master Removal	1
27	C229 2187	Bracket Hinge Pin	1
28	C236 2165	Front Pin - Operation Panel	1
29	C229 1977	Plotter Cover - Front	1
30	C233 2162	Bushing	1
31	C236 2186	Rear Master Flange - P1	1
32	C236 2028	Supporting Plate - Plotter Drive	1
34	C236 2198	Front Master Flange	1

Index No.	Part No.	Description	Q'ty Per Assembly
101	0720 0040E	Retaining Ring - M4	
102	0720 0030E	Retaining Ring - M3	
103	0451 3006B	Tapping Screw - M3x6	
104	0451 3008B	Tapping Screw - M3x8	
105	0324 0140B	Philips Sunken Head Screw - M4x14	
106	0354 0060B	Screw - M4X6	
107	0451 4006H	Tapping Screw - M4x6	

# 30.Plotter Unit 2 (C244)



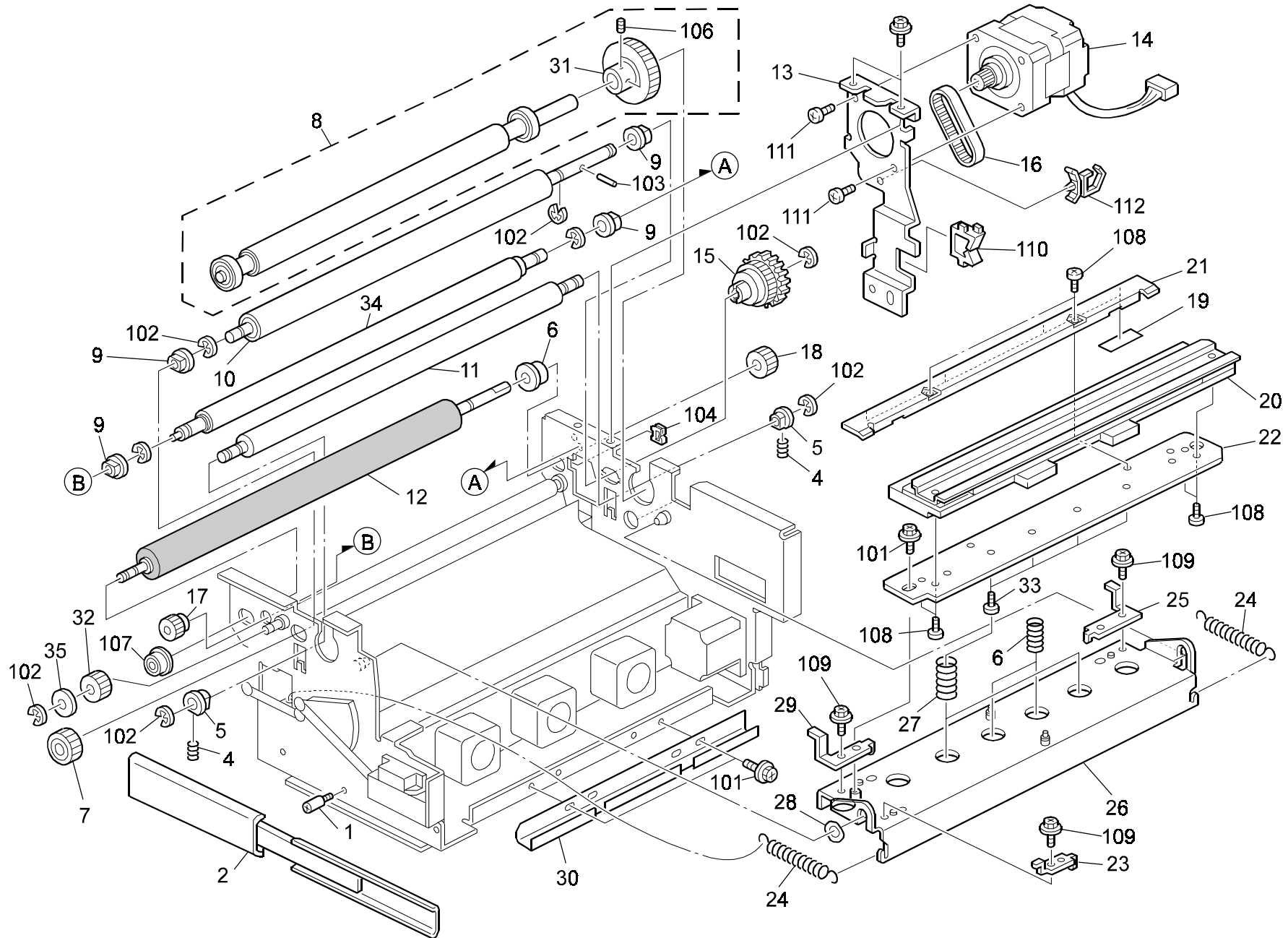


### 30.Plotter Unit 2 (C244)

Index No.	Part No.	Description	Q'ty Per Assembly
1	C229 2189	Master Flange Spring	1
2	C229 2036	Rear Upper Guide Plate	1
3	C229 2142	Decal - Master Position	1
4	C239 2161	Master Stopper Bracket	1
5	C239 1985	Master Unit Stay	1
6	C229 2240	Bracket - Master Sensor	1
7	C229 2239	Master Sensor Cover	1
8	C239 5829	Master Duct Sensor	1
9	C229 2209	Cutter Unit Ass'y	1
10	C229 2113	Release Roller	1
11	C229 2112	Release Cam	1
12	H012 1181	Bushing- 6mm	1
13	C229 2102	Drive Gear - 26Z	1
14	C236 2232	Harness Guide	1
15	C236 2234	Positioning Sensor Bracket	1
16	AW02 0075	Photointerruptor	1
17	C236 2109	Pressure Release Bracket	1
18	C229 5803	DC Motor - 50W	1
19	C229 2107	Actuator Gear	1
20	C229 2104	Idle Gear	1
21	C229 2103	Worm Gear	1
22	C229 5807	Photosensor - GP2A25	1
23	C244 2135	Master Lower Guide Plate Sub - Ass'y	1
24	C229 2139	Lower Master Cover	1
25	C239 2252	Master Sensor Bracket	1
26	C229 2032	Left Guide Mylar	1
27	C236 2137	Thermal Head Master Guide	1
28	C236 2235	Rear Harness Cover	1
29	C239 2162	Master Stopper Arm	1
30	C239 2137	Master Upper Guide Plate	1

Index No.	Part No.	Description	Q'ty Per Assembly
101	0451 3006B	Tapping Screw - M3x6	
102	0353 0060B	Philips Pan Head Screw - M3x6	
103	0352 0080B	Screw M2.5x8	
104	0720 0040E	Retaining Ring - M4	
105	0353 0040B	Screw - M3X4	
106	1105 0283	Clamp	
107	0450 3008B	Tapping Screw - M3x8	

# 31.Plotter Unit 3 (C244)

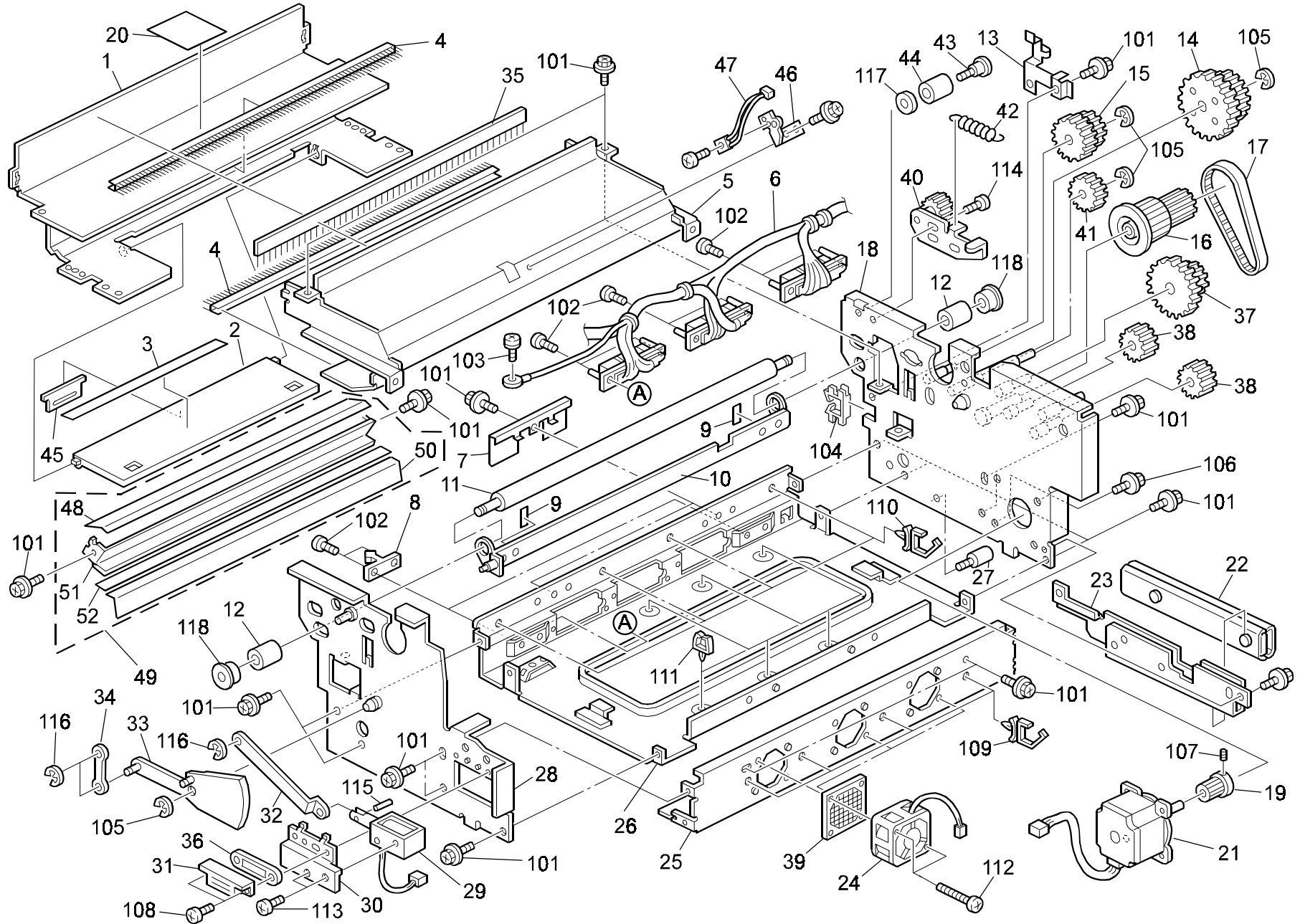


### 31.Plotter Unit 3 (C244)

Index No.	Part No.	Description	Q'ty Per Assembly
1	C239 1994	Plotter Slide Rail Screw	1
2	C239 2275	Plotter Slide Rail	1
3	C229 1993	Slide Rail Spacer	1
4	C236 2004	Compression Spring	1
5	C229 2006	Bushing	1
6	C236 2094	Compression Spring - 5.0n	1
7	C209 4303	Gear -27Z	1
<b>8</b>	<b>C236 2080</b>	<b>Platen Roller Ass'y</b>	<b>1</b>
9	H012 1181	Bushing- 6mm	1
10	C236 2002	Upper Tension Roller	1
11	C232 2003	Lower Tension Roller	1
12	C236 2008	Upper Reverse Roller	1
13	C236 2226	Reverse Motor Bracket	1
14	C236 5808	Stepper Motor Ass'y	1
15	C236 2019	Torque Limiter Gear - 0.15n M	1
16	C236 2018	Timing Belt - B40S2M90	1
17	C209 4305	Gear - 16Z	1
18	C236 2011	Pulley - Upper Reverse Roller	1
19	C229 2122	Right Roller Guide	1
20	C236 5180	Thermal Head - A3	1
21	C236 2119	Left Front Guide Plate	1
22	C236 2120	Thermal Head Spacer	1
23	C232 2098	Base Stopper Bracket	1
24	C236 2095	Tension Spring - Thermal Head	1
25	C232 2097	Right Rear Release Plate	1
26	C236 2087	Thermal Head Stay	1
27	C236 2093	Compression Spring - 6.9n	1
28	C218 4038	Bushing Washer - M8	1
29	C232 2096	Front Left Release Plate	1
30	C229 2249	Grounding Plate	1
31	C236 2082	Platen Gear	1
32	C200 2338	Gear - 20T	1
33	C522 2435	Screw - M3	1
34	C236 2005	Roller Plate	1
35	C236 2026	Spacer Plate - Gear Roller	1

Index No.	Part No.	Description	Q'ty Per Assembly
101	0451 3006B	Tapping Screw - M3x6	
102	0720 0040E	Retaining Ring - M4	
103	0622 0100E	Spring Pin - 2x10mm	
104	1105 0328	Harness Clamp - ES-0505	
105	0353 0060Z	Screw - M3X6	
106	0574 0040E	Hexagon Headless Set Screw - M4x4	
107	0741 3706	Ball Bearing - 6x10x3	
108	0353 0040B	Screw - M3X4	
109	0353 0060B	Philips Pan Head Screw - M3x6	
110	1105 0243	Wire Saddle	
111	0353 0050B	Philips Truss Head Screw - M3x5	
112	1105 0310	Harness Clamp - LWS-1S	

# 32.Plotter Unit 4 (C244)



### 32.Plotter Unit 4 (C244)

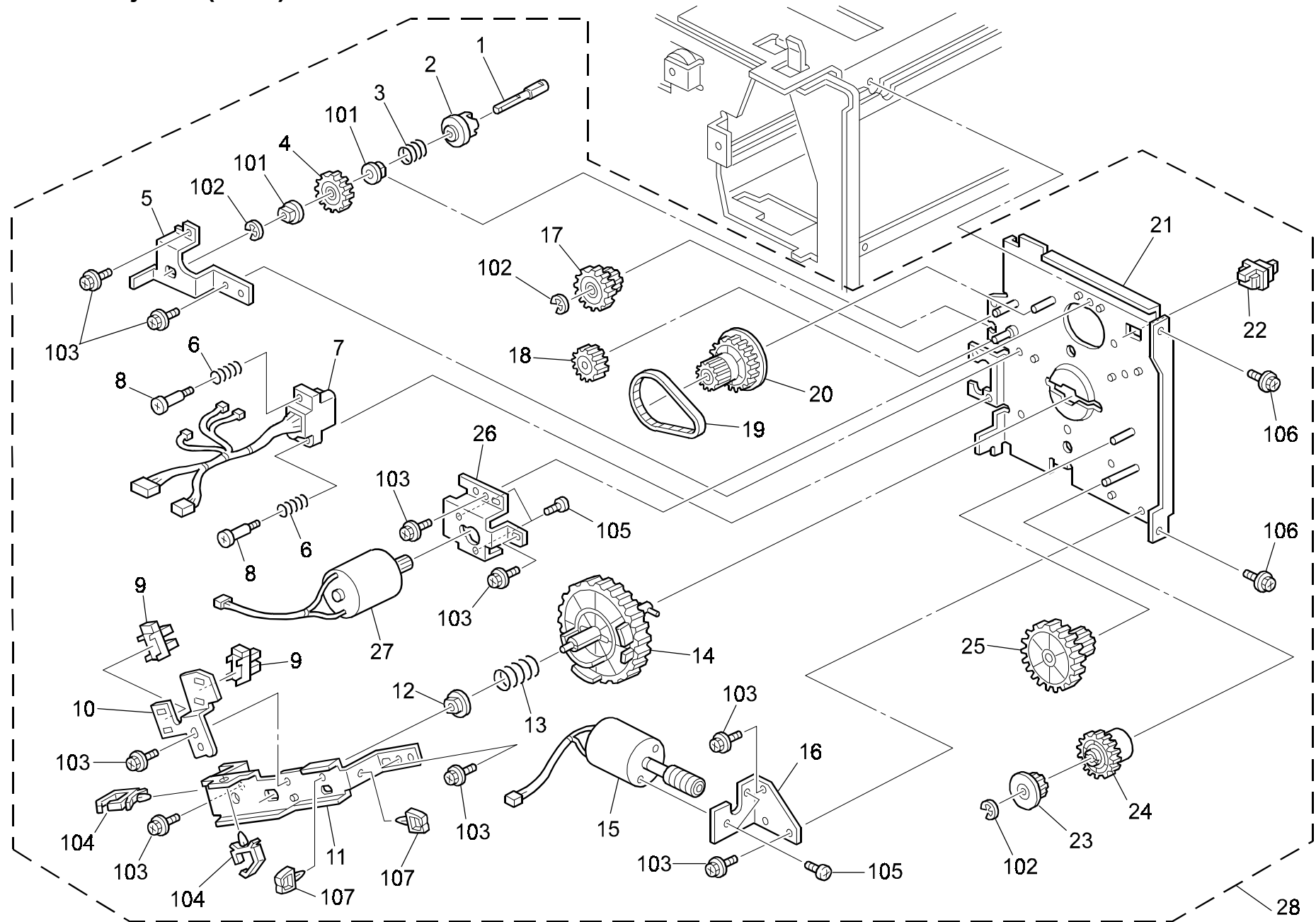
Index No.	Part No.	Description	Q'ty Per Assembly
1	C236 2068	Lower Duct Case Ass'y	1
2	C239 2064	Lower Duct Cover	1
3	C239 2067	Duct Cover Magnet	1
4	C236 2078	Discharge Brush - Lower Duct	1
5	C244 2073	Upper Duct Case Ass'y	1
6	C244 5248	Plotter Harness Ass'y	1
7	C229 2248	Left Grounding Plate	1
8	A659 1272	Door Catch	1
9	C229 2047	Right Reverse Roller Guide	1
10	C233 2042	Release Guide Plate	1
11	C236 2009	Lower Reverse Roller	1
12	C236 2010	Lower Spacer - Reverse Roller	1
13	C229 2254	Harness Cover	1
14	C236 2022	Idler Gear - Platen	1
15	C236 2024	Idler Gear - Tension	1
16	C236 2021	Slow Down Pulley	1
17	C236 2222	Timing Belt - B106MXL9.5	1
18	C236 1963	Plotter Rear Side Plate Ass'y	1
19	C219 4071	Gear - 17Z	1
20	C229 2477	Drum Sensor Sheet	1
21	C236 5802	Stepper Motor - MM50x40	1
22	C239 2275	Plotter Slide Rail	1
23	C239 1993	Rear Plotter Slide Rail Spacer	1
24	C222 8208	Air Knife Motor - DC 5.3W	1
25	C236 2066	Right Duct Guide Plate	1
26	C229 2255	Plotter Bottom Plate	1
27	C239 1994	Plotter Slide Rail Screw	1
28	C244 1951	Plotter Front Side Plate	1
29	C209 8234	Drum Lock Solenoid	1
30	C233 2215	Solenoid Cover	1
31	C230 2198	Magnet Catch	1
32	C229 2058	Lower Guide Link	1
33	C229 2052	Release Guide Arm	1
34	C229 2057	Upper Link Arm	1
35	C229 2071	Antistatic Brush - 310	1

Index No.	Part No.	Description	Q'ty Per Assembly
36	C230 2199	Magnet Catch Spacer	1
37	C236 2023	Idler Gear - Pull Out Roller	1
38	C232 2024	Gear - 16Z	1
39	C229 2066	Fan Cover	1
40	C236 2031	Tension Bracket	1
41	C236 2027	Idler Gear - Torque Limiter	1
42	C236 2015	Tension Spring	1
43	C236 2016	Guide Screw	1
44	A376 1257	Spacer - M4x6x6	1
45	C239 2066	Duct Cover Grip	1
46	C239 2100	Duct Sensor Bracket	1
47	C239 5829	Master Duct Sensor	1
48	C236 2037	Lower Guide Myler	1
49	C236 2042	Rear Guide Plate Ass'y	1
50	C236 2043	Lower Guide Mylar	1
51	C236 2039	Rear Lower Guide Plate	1
52	C236 2038	Guide Plate Cover	1

Index No.	Part No.	Description	Q'ty Per Assembly
101	0451 3006B	Tapping Screw - M3x6	
102	0313 0080B	Philips Pan Head Screw - M3x8	
103	0354 0060B	Screw - M4X6	
104	1105 0328	Harness Clamp - ES-0505	
105	0720 0040E	Retaining Ring - M4	
106	0451 4008B	Philips Tapping Screw - M4x8	
107	0574 0040E	Hexagon Headless Set Screw - M4x4	
108	0453 3010B	Binding Self Tapping Screw - M3x10	
109	1105 0310	Harness Clamp - LWS-1S	
110	1105 0291	Harness Clamp - LWS-3S	
111	1105 0230	Clamp	
112	0353 0350B	Philips Pan Head Screw - M3x35	
113	0353 0040B	Screw - M3X4	
114	0353 0060Z	Screw - M3X6	
115	0623 0120E	Spring Pin - M3x12	
116	0720 0030E	Retaining Ring - M3	
117	0701 0030Z	Flat Washer - M3	
118	0741 3706	Ball Bearing - 6x10x3	

Index No.	Part No.	Description	Q'ty Per Assembly

### 33.Master Eject 1 (C244)



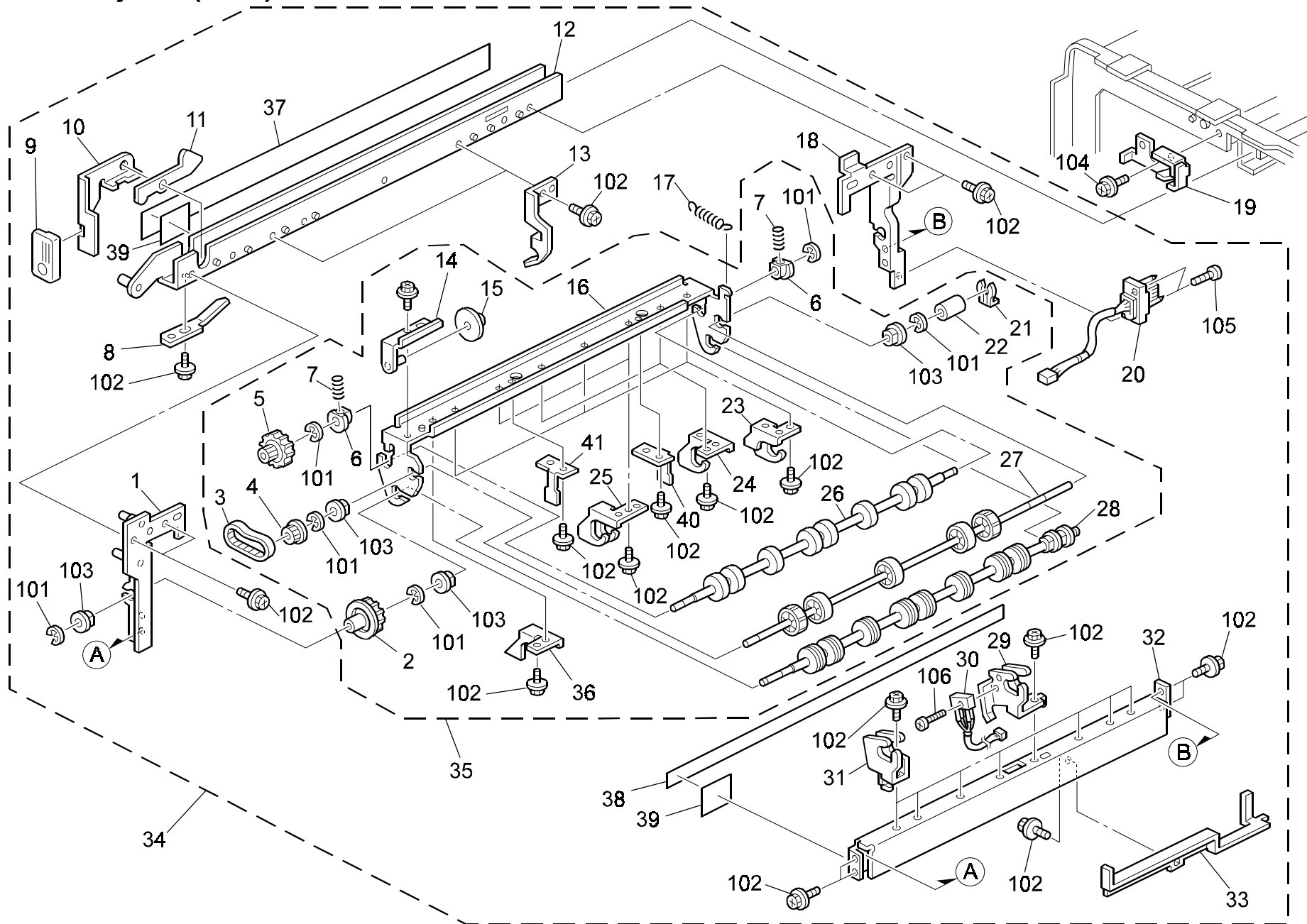
### 33.Master Eject 1 (C244)

Index No.	Part No.	Description	Q'ty Per Assembly
1	C229 3548	Joint Shaft	1
2	C229 3547	Joint Cam	1
3	C229 3541	Joint Pressure Spring	1
4	C229 2102	Drive Gear - 26z	1
5	C229 3549	Joint Gear Bracket	1
6	AA06 3163	Connector Spring	1
7	C236 5228	Relay Harness - Master Eject Unit	1
8	AA14 3120	Stepped Screw - M3x3	1
9	AW02 0075	Photointerruptor	1
10	C229 3582	Positioning Sensor Bracket	1
11	C229 3564	Eject Cam Holder	1
12	C229 3566	Bushing - 8mm	1
13	C229 3565	Master Eject Cam Spring	1
14	C233 3559	Drive Joint Ass'y	1
15	C229 5803	DC Motor - 50W	1
16	C229 3563	Motor Bracket	1
17	C229 3545	2nd Gear - 8Z/32Z	1
18	C229 3542	3rd Gear - 22z	1
19	C229 3551	Timing Belt - S2M160	1
20	C229 3544	Gear Pulley - 18Z/60Z	1
21	C229 3570	Rear Side Plate	1
22	AW50 0012	Push Switch	1
23	C229 3557	Gear - 17Z	1
24	C229 3556	Torque Limiter	1
25	C229 3558	2nd Gear - 18Z/49Z	1
26	C229 3543	Motor Bracket	1
27	C229 5811	DC Motor - 50W	1
28	C236 3401	Side Plate - Master Ejection	1

Index No.	Part No.	Description	Q'ty Per Assembly
101	0805 3385	Bushing - 6mm	
102	0720 0040E	Retaining Ring - M4	
103	0451 3006B	Tapping Screw - M3x6	
104	1105 0310	Harness Clamp - LWS-1S	
105	0353 0040B	Screw - M3X4	
106	0451 4006B	Tapping Screw - 4x6	
107	1105 0199	Clamp	



# 34.Master Eject 2 (C244)

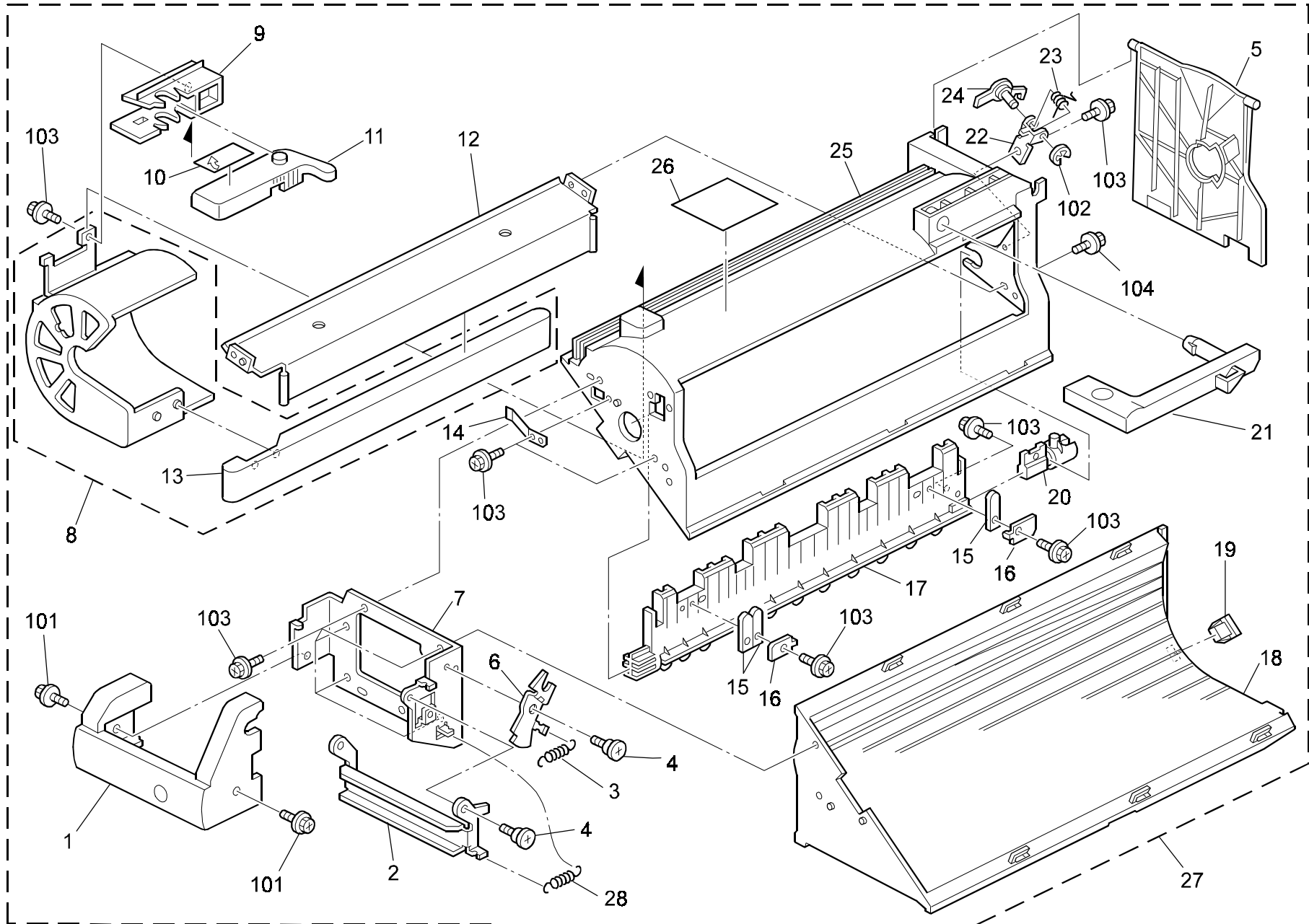


### 34.Master Eject 2 (C244)

Index No.	Part No.	Description	Q'ty Per Assembly
1	C229 3487	Front Slide Plate	1
2	C229 3537	Transport Lower Gear - 26Z	1
3	C229 3532	Timing Belt - S2M76	1
4	C229 3530	Driven Pulley - 18Z	1
5	C229 3531	Gear/Pulley - 26Z/16T	1
6	C229 3486	Bushing - Master Eject Roller	1
7	C229 3459	Pressure Spring	1
8	C229 3476	Spring Plate	1
9	C229 3471	Roller Unit Knob	1
10	C229 3478	Roller Unit Arm	1
11	C236 3474	Roller Unit Rock Arm	1
12	C236 3485	Upper Slide Rail	1
13	C229 3609	Master Edge Guide	1
14	C229 3533	Belt Tension Bracket	1
15	C229 3536	Belt Tension Collar	1
16	C229 3455	Roller Stay	1
17	C233 3482	Tension Spring - Positioning Roller	1
18	C229 3462	Rear Side Plate	1
19	C229 3589	Slide Rail Stopper	1
20	C229 5254	Harness - Master Sensor	1
21	5447 2681	Snap Ring	1
22	C229 3481	Collar - 6mm	1
23	C229 3457	Rear Upper Guide	1
24	C229 3458	Front Upper Guide	1
25	C229 3456	Middle Guide	1
26	C229 3453	Upper Transport Roller	1
27	C239 3454	Separation Roller	1
28	C229 3451	Lower Transport Roller	1
29	C229 3467	Sensor Bracket	1
30	C229 5825	Master Sensor	1
31	C229 3465	Transport Lower Guide	1
32	C229 3464	Lower Stay	1
33	C229 3488	Sensor Harness Cover	1
34	C239 3400	Master Eject Roller Ass'y	1
35	C229 3450	Transport Roller	1

Index No.	Part No.	Description	Q'ty Per Assembly
36	C229 3615	Upper Guide - Eject Roller	1
37	C233 3495	Master Eject Unit Seal - Upper	1
38	C233 3496	Master Eject Roller Unit - Lower	1
39	C233 3497	Master Eject Unit Seal	1
40	C230 3621	Rear Upper Guide - Eject Roller	1
41	C230 3622	Front Upper Guide - Eject Roller	1
101	0720 0040E	Retaining Ring - M4	
102	0451 3006B	Tapping Screw - M3x6	
103	0805 3385	Bushing - 6mm	
104	0451 4006B	Tapping Screw - 4x6	
105	0313 0080B	Philips Pan Head Screw - M3x8	
106	0242 0080Z	Screw - M2X8	

# 35.Master Eject 3 (C244)

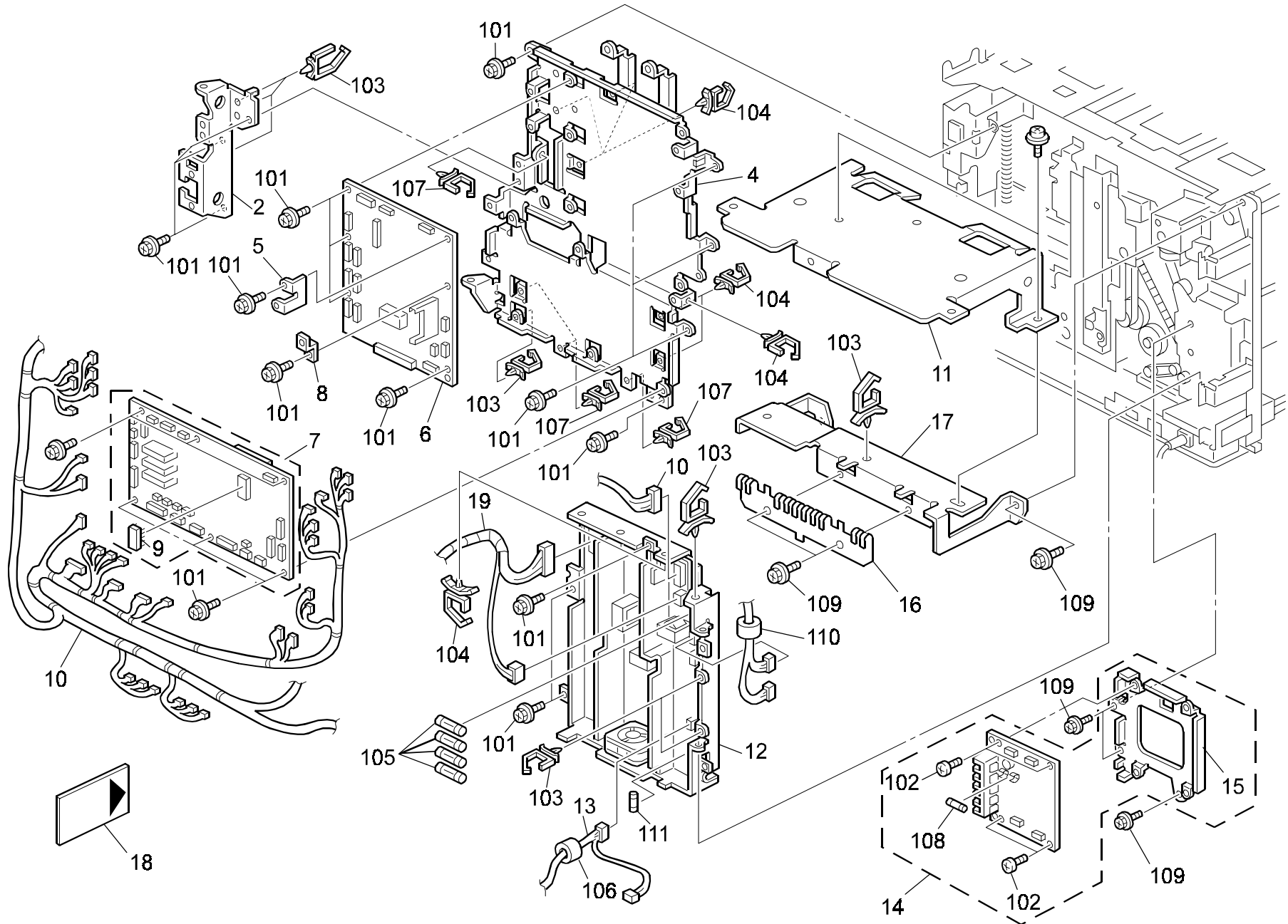


### 35.Master Eject 3 (C244)

Index No.	Part No.	Description	Q'ty Per Assembly
1	C229 3521	Mster Eject Box Grip	1
2	C236 3524	Eject Box Lock Lever	1
3	C229 3525	Release Spring	1
4	C229 3522	Stepped Screw	1
5	C229 3510	Maser Eject Cover	1
6	C236 3523	Eject Box Lock Arm	1
7	C229 3526	Eject Box Grip Bracket	1
8	C229 3497	Eject Box Guide Ass'y	1
9	C236 3501	Eject Box Slider	1
10	C229 3529	Decal - Delivery Table Slider	1
11	C229 3502	Slide Lock Lever	1
12	C229 3518	Eject Box Upper Stay	1
13	C229 3499	Eject Box Lower Stay	1
14	C229 3514	Grounding Plate	1
15	C229 3495	Master Stripper Pawl	1
16	C229 3496	Master Stripper Pawl Holder	1
17	C229 3493	Master Press Arm	1
18	C229 3517	Lower Left Case	1
19	A049 3371	Magnet	1
20	C229 3494	Master Press Arm Shaft	1
21	C229 3513	Upper Case Grip	1
22	C229 3509	Upper Case Bracket	1
23	C229 3508	Release Spring	1
24	C229 3505	Upper Case Release Lever	1
25	C229 3491	Upper Case	1
26	C239 3528	Decal - Master Eject Box	1
27	C239 3401	Master Eject Box Ass'y	1
28	C236 3525	Release Spring	1

Index No.	Part No.	Description	Q'ty Per Assembly
101	0451 4008B	Philips Tapping Screw - M4x8	
102	0720 0040E	Retaining Ring - M4	
103	0450 3008B	Tapping Screw - M3x8	
104	0451 3006B	Tapping Screw - M3x6	

# 36.ELECTRICAL SECTION 1 (C244)

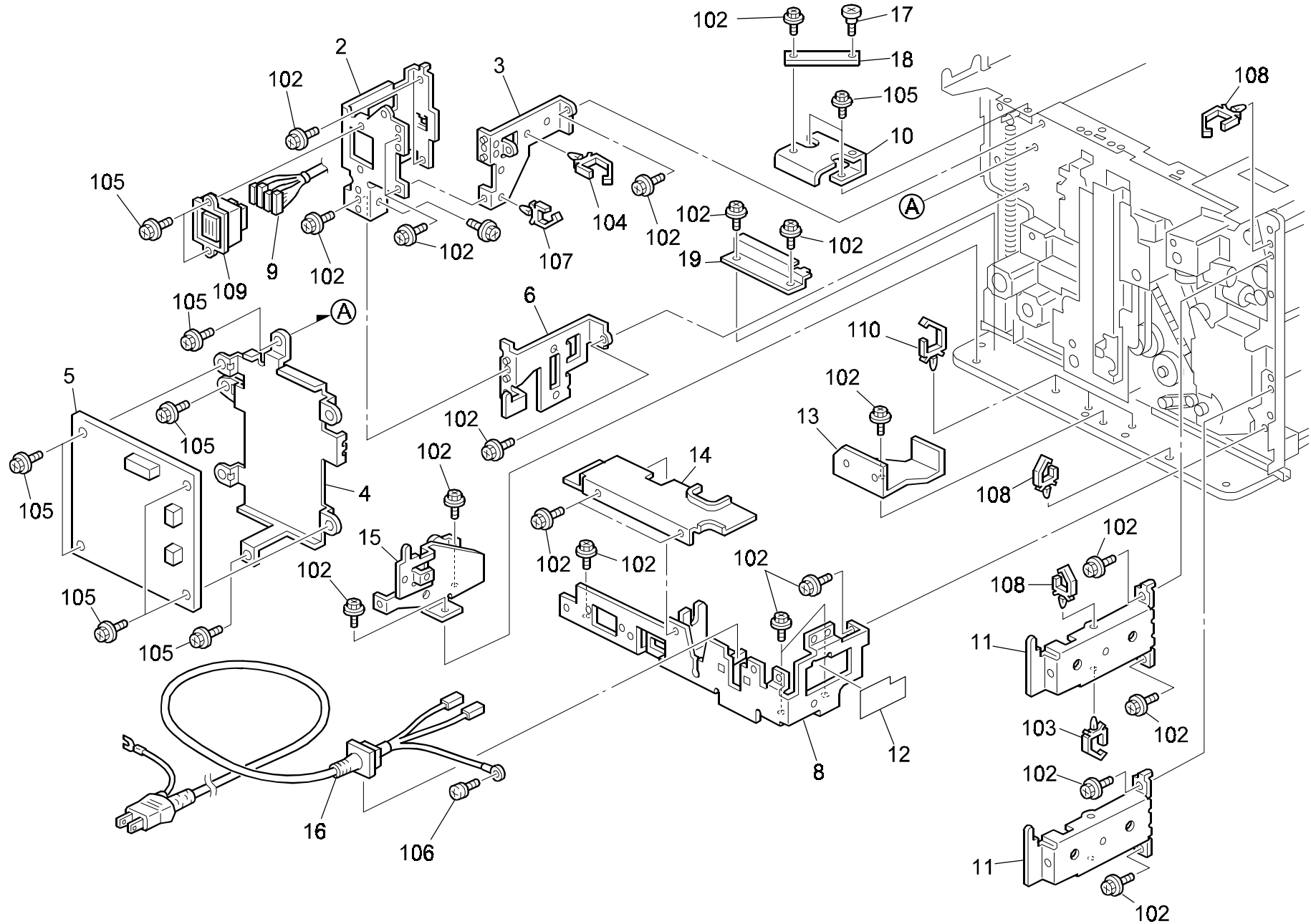


### 36.ELECTRICAL SECTION 1 (C244)

Index No.	Part No.	Description	Q'ty Per Assembly
2	C232 5618	Upper Bracket	1
4	C239 5610	PCB Bracket	1
5	C229 5656	Upper Ground Plate - PCB	1
6	C244 5101	MPU Board	1
7	C236 5115	I/O Control Board Ass'y	1
8	C229 5657	Lower Grounding Plate - PCB	1
9	C236 5124	IC - I/O CONTROL	1
10	C239 5200	DC Drive Harness	1
11	C236 5671	HDD Stay	1
12	C239 5300	DC Power Supply Ass'y - 225W	1
13	C236 5216	Main Switch Harness	1
14	C233 5150	Main Motor Control Board Ass'y	1
15	C229 5622	Motor Control Board Bracket	1
16	C236 5673	HDD Ground Plate	1
17	C236 5679	HDD Base	1
18	C244 5114	IC Card Mpu-with Firmware	1
19	C239 5210	Plotter Relay Harness	1

Index No.	Part No.	Description	Q'ty Per Assembly
101	0451 3006B	Tapping Screw - M3x6	
102	0313 0060B	Philips Pan Head Screw - M3x6	
103	1105 0413	Harness Clamp	
104	1105 0310	Harness Clamp - LWS-1S	
105	1107 0868	Fuse - 5A 125V	
106	1607 0622	Ferrite Core TFC16816	
107	1105 0292	Wire Saddle	
108	1107 0874	Fuse - 10A 125V	
109	0451 4006B	Tapping Screw - 4x6	
110	1607 0638	Ferrite Core - TFC25-15-12	
111	1107 0880	Fuse - 6.3A 250V	

### 37.ELECTRICAL SECTION 2 (C244)



### 37.ELECTRICAL SECTION 2 (C244)

Index No.	Part No.	Description	Q'ty Per Assembly
1	C217 2455	Key Counter Cover	1
2	C229 5624	Key Counter Bracket	1
3	C236 5626	Upper Bracket - MPU Board	1
4	C611 5680	Double Feed Sensor Bracket	1
5	C611 5510	Double Feed Sensor Board	1
6	C229 5625	Interface Bracket	1
8	C229 5611	Power Supply Cord Bracket	1
9	C236 5274	ADF Relay Harness	1
10	C229 5636	Flat Cable Bracket	1
11	C229 5615	Power Supply Unit Bracket	1
12	C232 5610	Outletsheet	1
13	C232 5617	Lower Bracket	1
14	C229 5613	Power Supply Cord Cover	1
15	C229 5619	Lower Bracket - MPU Board	1
16	A193 5711	Power Supply Cord	1
16	C235 5835	Power Supply Cord Ass'y	1
17	A109 4775	Stepped Screw - M5	1
18	C218 3039	Flat Cable Clamp	1
19	C229 1073	Right Grip Cover - Inner Rear	1

Index No.	Part No.	Description	Q'ty Per Assembly
101	0323 0100Z	Philips Sunken Head Screw - M3x10	
102	0451 4006B	Tapping Screw - 4x6	
103	1105 0291	Harness Clamp - LWS-3S	
104	1105 0413	Harness Clamp	
105	0451 3006B	Tapping Screw - M3x6	
106	0801 0150	Philips Screw - M4x8	
107	1105 0292	Wire Saddle	
108	1105 0310	Harness Clamp - LWS-1S	
109	1102 7445	Connector - 46P	
110	1105 0316	Clamp	



## 38.MPU BOARD (C244)

### CAPACITOR

SYMBOL NO.	INDEX NO.	SYMBOL NO.	INDEX NO.	SYMBOL NO.	INDEX NO.	SYMBOL NO.	INDEX NO.	SYMBOL NO.	INDEX NO.	SYMBOL NO.	INDEX NO.	SYMBOL NO.	INDEX NO.
C100	186	C110	185	C120	182	C131	185	C141	185	C151	161	C161	185
C101	185	C111	182	C121	187	---	---	C142	186	C152	185	C162	186
C102	182	C112	182	C122	185	C133	161	C143	184	C153	185	C163	186
C103	186	C113	187	C123	186	C134	182	C144	185	C154	186	C164	186
C104	185	C114	187	C125	160	C135	182	C145	186	C155	186	C165	186
C105	185	C115	184	C126	160	C136	182	C146	185	C156	162	C166	154
C106	186	C116	185	C127	186	C137	185	C147	186	C157	185	C167	186
C107	182	C117	186	C128	185	C138	186	C148	186	C158	182	C168	185
C108	187	C118	182	C129	186	C139	186	C149	185	---	---	C169	185
C109	186	C119	186	C130	186	C140	185	C150	187	---	---	C170	186

### CAPACITOR

SYMBOL NO.	INDEX NO.	SYMBOL NO.	INDEX NO.	SYMBOL NO.	INDEX NO.	SYMBOL NO.	INDEX NO.	SYMBOL NO.	INDEX NO.	SYMBOL NO.	INDEX NO.	SYMBOL NO.	INDEX NO.
C171	185	C181	185	C191	186	C201	186	C211	186	C221	184	C231	186
C172	186	C182	185	C192	184	C202	186	C212	184	C222	184	C232	186
C173	184	C183	186	C193	186	C203	185	C213	185	C223	184	C233	186
C174	185	C184	185	C194	185	C204	187	C214	182	C224	184	C234	186
C175	186	C185	186	C195	185	C205	186	C215	186	C225	182	C235	186
C176	185	C186	185	C196	185	C206	185	C216	186	C226	184	C236	185
C177	186	C187	154	C197	186	C207	185	C217	186	C227	185	C237	185
C178	185	C188	185	C198	185	C208	185	C218	185	C228	186	C238	186
C179	186	C189	186	C199	185	C209	186	C219	185	C229	185	C239	187
C180	186	C190	185	C200	185	C210	185	C220	186	C230	182	C240	186

## 38.MPU BOARD (C244)

### CAPACITOR

SYMBOL NO.	INDEX NO.	SYMBOL NO.	INDEX NO.	SYMBOL NO.	INDEX NO.	SYMBOL NO.	INDEX NO.	SYMBOL NO.	INDEX NO.	SYMBOL NO.	INDEX NO.	SYMBOL NO.	INDEX NO.
C241	187	C251	185	C261	153	C271	185	C281	185	C291	187	C301	185
C242	182	C252	186	C262	186	C272	186	C282	186	C292	186	C302	185
C243	186	C253	186	C263	185	C273	185	C283	182	C293	187	C303	185
C244	185	C254	185	C264	186	C274	186	C284	186	C294	185	C304	185
C245	186	C255	186	C265	186	C275	186	C285	184	C295	183	C305	186
C246	187	C256	186	C266	185	C276	185	C286	185	C296	183	C306	186
C247	186	C257	185	C267	185	C277	186	C287	186	C297	186	C307	185
C248	186	C258	186	C268	184	C278	185	C288	185	C298	185	C308	185
C249	185	C259	186	C269	186	C279	186	C289	186	—	—	C309	185
C250	185	C260	186	C270	185	C280	185	C290	185	C300	186	C310	186

### CAPACITOR

SYMBOL NO.	INDEX NO.	SYMBOL NO.	INDEX NO.	SYMBOL NO.	INDEX NO.	SYMBOL NO.	INDEX NO.	SYMBOL NO.	INDEX NO.	SYMBOL NO.	INDEX NO.	SYMBOL NO.	INDEX NO.
C311	185	C321	185	C331	185	C341	186	C351	186	C361	186	C371	185
C312	186	C322	186	C332	184	C342	185	C352	185	C362	182	C372	185
C313	186	C323	185	C333	186	C343	186	C353	186	C363	185	C373	183
C314	186	C324	186	C334	185	C344	186	C354	185	C364	186	C374	183
C315	187	C325	186	C335	185	C345	186	C355	187	C365	185	C375	187
C316	182	C326	185	C336	186	C346	185	C356	182	C366	185	C376	187
C317	182	C327	185	C337	186	C347	185	C357	182	C367	185	C377	183
C318	182	C328	186	C338	185	C348	186	C358	183	C368	186	C378	183
C319	182	C329	186	C339	186	C349	186	C359	183	C369	186	C379	183
C320	182	C330	185	C340	185	C350	182	C360	185	C370	186	C380	183

### 38.MPU BOARD (C244)

#### CAPACITOR

SYMBOL NO.	INDEX NO.
C381	183
C382	183
C383	183

#### CONNECTOR

SYMBOL NO.	INDEX NO.
CN100	6
CN101	102
CN102	110
CN103	112
CN104	108
CN105	103
CN106	105
CN107	107
CN108	106
CN109	111

SYMBOL NO.	INDEX NO.
CN110	116
CN111	104
CN112	115
CN113	114
CN114	109
CN115	113

#### DIODE

SYMBOL NO.	INDEX NO.
D100	122
D101	121

#### FIB

SYMBOL NO.	INDEX NO.
FIB100	155
FIB101	156
FIB102	156
FIB103	157

#### FUSE

SYMBOL NO.	INDEX NO.
FU100	118
FU101	118

#### IC

SYMBOL NO.	INDEX NO.
IC100	128
IC101	2
IC102	191
IC103	191
IC104	138
IC105	138
IC106	189
IC107	189
IC108	7
IC109	3

#### IC

SYMBOL NO.	INDEX NO.
IC110	142
IC111	133
(Socket)	117
IC112	140
IC113	5
IC114	188
IC115	137
IC116	145
IC117	141
IC118	130

SYMBOL NO.	INDEX NO.
IC119	130
IC120	132
IC121	4
IC122	190
IC123	1
IC124	141
IC125	137
IC126	134
IC127	134
IC128	134

SYMBOL NO.	INDEX NO.
IC129	139
IC130	136
IC131	135
IC132	144
IC133	127
IC134	137
IC135	128
IC136	131
IC137	143
IC138	125

SYMBOL NO.	INDEX NO.
IC139	137
IC140	129
IC141	137
IC142	137
IC143	126
IC144	130
IC145	135
IC146	126

#### LED

SYMBOL NO.	INDEX NO.
LED100	124
LED101	123

#### OSC

SYMBOL NO.	INDEX NO.
OSC100	148
OSC101	147
OSC102	146

#### Q

SYMBOL NO.	INDEX NO.
Q100	120
Q101	120
Q102	120

## 38.MPU BOARD (C244)

### RESISTOR

SYMBOL NO.	INDEX NO.	SYMBOL NO.	INDEX NO.	SYMBOL NO.	INDEX NO.	SYMBOL NO.	INDEX NO.	SYMBOL NO.	INDEX NO.	SYMBOL NO.	INDEX NO.	SYMBOL NO.	INDEX NO.
R100	169	R110	166	R120	166	R131	166	R141	181	R151	164	R161	174
R101	169	R111	166	R121	169	R132	169	R142	166	R152	173	R162	171
R102	165	R112	166	R122	169	R133	166	R143	170	R153	166	R163	166
R103	169	R113	170	R123	169	R134	166	R144	166	R154	166	R164	166
R104	169	R114	169	R124	169	R135	169	R145	169	R155	170	R165	166
R105	167	R115	165	R125	166	R136	169	R146	169	R156	166	R166	166
R106	168	R116	164	R126	166	R137	180	R147	167	R157	166	R167	170
R107	169	R117	166	R128	169	R138	175	R148	166	R158	166	R168	166
R108	158	R118	166	R129	169	R139	179	R149	165	R159	166	R169	169
R109	177	R119	166	R130	169	R140	179	R150	169	R160	165	R170	170

### RESISTOR

SYMBOL NO.	INDEX NO.	SYMBOL NO.	INDEX NO.	SYMBOL NO.	INDEX NO.	SYMBOL NO.	INDEX NO.	SYMBOL NO.	INDEX NO.	SYMBOL NO.	INDEX NO.	SYMBOL NO.	INDEX NO.
R171	166	R181	172	R191	171	R201	163	R211	166	R221	166	R231	166
R172	169	R182	166	R192	176	R202	166	R212	165	R222	165	R232	166
R173	165	R183	166	R193	169	R203	166	R213	166	R223	166	R233	166
R174	165	R184	166	R194	169	R204	166	R214	169	R224	166	R234	165
R175	165	R185	169	R195	169	R205	165	R215	169	R225	166	R235	169
R176	169	R186	166	R196	165	R206	165	R216	169	R226	178	R236	169
R177	169	R187	166	R197	169	R207	165	R217	169	R227	169	R237	169
R178	165	R188	166	R198	169	R208	165	R218	165	R228	169	R238	169
R179	165	R189	171	R199	163	R209	166	R219	165	R229	166	R239	169
R180	172	R190	165	R200	169	R210	166	R220	166	R230	166	R240	169

## 38.MPU BOARD (C244)

### RESISTOR

SYMBOL NO.	INDEX NO.	SYMBOL NO.	INDEX NO.	SYMBOL NO.	INDEX NO.	SYMBOL NO.	INDEX NO.	SYMBOL NO.	INDEX NO.	SYMBOL NO.	INDEX NO.	SYMBOL NO.	INDEX NO.
R241	169	R251	166	R261	166	R271	166	R281	169	R291	166	R301	170
R242	169	R252	166	R262	169	R272	166	R282	166	R292	166	R302	166
R243	166	R253	166	R263	169	R273	166	R283	166	R293	166	R303	166
R244	166	R254	166	R264	166	R274	166	R284	159	R294	166	R304	169
R245	169	R255	169	R265	166	R275	159	R285	166	R295	166	R305	170
R246	166	R256	169	R266	166	---	---	R286	165	R296	171	R306	166
R247	166	R257	170	R267	166	R277	171	R287	165	R297	166	R307	166
R248	159	R258	169	R268	166	R278	169	R288	166	R298	170	R308	166
R249	159	R259	166	R269	166	R279	169	R289	166	R299	166	R309	166
R250	166	R260	166	R270	166	R280	171	R290	165	R300	169	R310	169

### RESISTOR

### RAY

SYMBOL NO.	INDEX NO.	SYMBOL NO.	INDEX NO.	SYMBOL NO.	INDEX NO.	SYMBOL NO.	INDEX NO.	SYMBOL NO.	INDEX NO.	SYMBOL NO.	INDEX NO.	SYMBOL NO.	INDEX NO.
R311	166	RAY100	149	RAY110	149	RAY120	152	RAY130	152	RAY140	149	RAY150	149
		RAY101	149	RAY111	152	RAY121	152	RAY131	149	RAY141	149	RAY151	152
		RAY102	152	RAY112	152	RAY122	152	RAY132	152	RAY142	149	RAY152	149
		RAY103	152	RAY113	152	RAY123	152	RAY133	149	RAY143	151	RAY153	149
		RAY104	149	RAY114	152	RAY124	152	RAY134	152	RAY144	149	RAY154	149
		RAY105	152	RAY115	152	RAY125	149	RAY135	149	RAY145	152	RAY155	149
		RAY106	152	RAY116	152	RAY126	149	RAY136	152	RAY146	152	RAY156	150
		RAY107	152	RAY117	152	RAY127	151	RAY137	149	RAY147	152	RAY157	149
		RAY108	149	RAY118	152	RAY128	151	RAY138	152	RAY148	151	RAY158	152
		RAY109	149	RAY119	152	RAY129	152	RAY139	152	RAY149	152	RAY159	152

### 38.MPU BOARD (C244)

#### RAY

SYMBOL NO.	INDEX NO.	SYMBOL NO.	INDEX NO.	SYMBOL NO.	INDEX NO.	SYMBOL NO.	INDEX NO.	SYMBOL NO.	INDEX NO.	SYMBOL NO.	INDEX NO.	SYMBOL NO.	INDEX NO.
RAY160	152	RAY170	151	RAY180	149	RAY190	149	RAY200	151	RAY210	152	RAY220	149
RAY161	152	RAY171	149	RAY181	149	RAY191	152	RAY201	149	RAY211	152	RAY221	149
RAY162	152	RAY172	152	RAY182	152	RAY192	149	RAY202	149	RAY212	152	RAY222	149
RAY163	152	RAY173	152	RAY183	152	RAY193	149	RAY203	149	RAY213	152	RAY223	149
RAY164	152	RAY174	152	RAY184	149	RAY194	149	RAY204	149	RAY214	152	RAY224	149
RAY165	151	RAY175	152	RAY185	149	RAY195	149	RAY205	149	RAY215	152	RAY225	149
RAY166	149	RAY176	152	RAY186	149	RAY196	149	RAY206	152	RAY216	152	RAY226	149
RAY167	149	RAY177	152	RAY187	149	RAY197	149	RAY207	149	RAY217	149	RAY227	149
RAY168	151	RAY178	152	RAY188	149	RAY198	151	RAY208	152	RAY218	149	RAY228	149
RAY169	149	RAY179	151	RAY189	149	RAY199	151	RAY209	149	RAY219	149	RAY229	149

#### RAY

SYMBOL NO.	INDEX NO.
RAY230	149

#### SW

SYMBOL NO.	INDEX NO.
SW100	119

#### ZD

SYMBOL NO.	INDEX NO.
TP101	101
TP102	101
TP107	101
TP110	101
TP118	101
TP119	101

### 38.MPU BOARD (C244)

Index No.	Part No.	Description	Q'ty Per Assembly
*	C244 5101	MPU Board	1
1	A250 5501	IC - G8 HG71C106FL	1
2	A250 5503	IC - V-IPU	1
3	A267 5508	IC - IMAC R RR5C490	1
4	C228 8030	IC - THERMAL HEAD DRIVE	1
5	C229 5351	IC - UPD65640GF	1
6	C232 5351	Connector - 68POLE	1
7	C236 5353	IC - GATC LC27047C-RJ0	1

Index No.	Part No.	Description	Q'ty Per Assembly
101	1100 1474	Test Pin	
102	1102 4203	CT Header - 4P	
103	1102 5413	Connector - 28P	
104	1102 6662	Connector - 4P	
105	1102 7690	Connector - WR-120P-VF60-1	
106	1102 8063	Connector - 54373-0600	
107	1102 8086	Connector - FX2-120S-1.27SVL	
108	1102 8410	Connector - B28B-CZWHK-B-1	
109	1102 8411	Connector - B32B-CZWHK-B-1	
110	1102 8592	Connector - B09B-CZHK-B-1	
111	1102 8593	Connector - B11B-CZHK-B-1	
112	1102 8594	Connector - B15B-CZHK-B-1	
113	1102 8596	Connector - B30B-CZWHK-B-1	
114	1102 8597	Connector - B32B-CZWKYK-B-1	
115	1102 8598	Connector - B38B-CZWHK-B-1	
116	1102 9053	Connector - FX2CA1-60P-1.27DSAL	
117	1104 0588	DIP Socket - 28p	
118	1107 1014	Fuse - MMCT-10A	
119	1204 2373	Key Board Switch - SKQDPA	
120	1400 0392	Transistor - DTC114EK	
121	1402 1058	Diode Array - DA114	
122	1402 1491	Diode - RB471E	
123	1403 0828	Diode - SEC1901C	
124	1403 0829	Diode - SEC1201C	
125	1407 1600	TTLIC - SN74LS244NS	
126	1407 2187	TTLIC - SN74LS07NS	
127	1407 3357	Comparator - BA10393F	
128	1407 4300	IC - TC74VHC32F	
129	1407 4321	IC - TC74VHC04F	
130	1407 4323	TTL - TD74ABT244F	
131	1407 4404	CMOS - 74VHC157 SOP	
132	1407 4565	IC - TE6251	
133	1407 4696	IC - M48T58Y-70PC1	
134	1407 4715	IC - 74VHC138	
135	1407 4718	IC - TC74VHC08F	

Index No.	Part No.	Description	Q'ty Per Assembly
136	1407 4794	IC - CMOS 74LCX244SJ	
137	1407 4913	IC - 74VHC244	
138	1407 5061	IC - Flash Memory - 16MX8/16 70NS	
139	1407 5084	CMOS Logic - 74VHC11F SOP	
140	1407 5162	IC - HD6412350F20	
141	1407 5331	IC - TC7MB3245FK	
142	1407 5381	CMOS LOGIC - SN74AHC1G126DCK	
143	1408 0575	IC - M51957BFP	
144	1408 0810	IC - BA10358F	
145	1408 1308	Regulator - PQ3RF33	
146	1503 0820	Oscilator - 29.4912mhz	
147	1503 0863	Oscilator - 14.7456mhz	
148	1503 0871	Oscilator - 44mhz	
149	1601 7752	Resistor Array - 10K $\Omega$ $\pm$ 5%	
150	1601 7791	Resistor Array - 1K $\Omega$ $\pm$ 5%	
151	1601 7814	Resistor - 3.3K $\Omega$ $\pm$ 5%	
152	1601 7867	Resistor - 33 $\Omega$ $\pm$ 5% 1/16W	
153	1605 0577	Capacitor - 0.33 $\mu$ F+80-20%	
154	1605 0781	Capacitor - 5pF 50V	
155	1607 0815	BLM41P600SPB	
156	1607 0906	EMI Filter - ACF321825-101	
157	1607 1018	Filter - ACB1608H-120	
158	1610 1220	Resistor - 120 $\Omega$ $\pm$ 5% 1W	
159	1633 0000	Resistor - 0 $\Omega$ 1/10W	
160	1644 0470	Capacitor - 47 $\mu$ F $\pm$ 20% 10V	
161	1644 2100	Capacitor - 10 $\mu$ F $\pm$ 20% 25V	
162	1644 5109	Capacitor - 1 $\mu$ F $\pm$ 20% 25V	
163	1650 2100	Chip Resistor - 10 $\Omega$ $\pm$ 5% 1/4W	
164	1650 4101	Resistor - 100 $\Omega$ $\pm$ 5%1/10W	
165	1650 4102	Resistor - 1K $\Omega$ $\pm$ 5% 1/10W	
166	1650 4103	Resistor - 10K $\Omega$ $\pm$ 5% 1/10W	
167	1650 4105	Resistor - 1M $\Omega$ $\pm$ 5% 1/10W	
168	1650 4271	Resistor - 270 $\Omega$ $\pm$ 5%1/10W	
169	1650 4330	Chip Resistor - 33 $\Omega$ $\pm$ 5% 1/10W	
170	1650 4332	Resistor - 3.3K $\Omega$ $\pm$ 5%1/10W	

Index No.	Part No.	Description	Q'ty Per Assembly
171	1650 4471	Resistor - 470 $\Omega$ $\pm$ 5%1/10W	
172	1650 4821	Chip Resistor - 820 $\Omega$ $\pm$ 5% 1/10W	
173	1653 1002	Chip Resistor - 10K $\Omega$ $\pm$ 1% 1/8W	
174	1653 3741	Chip Resistor -3.74K $\Omega$ $\pm$ 1% 1/8W	
175	1654 1002	Resistor - 10K $\Omega$ $\pm$ 1%1/10W	
176	1654 3002	Resistor - 30K $\Omega$ $\pm$ 1%1/10W	
177	1654 3301	Chip Resistor - 3.3k $\Omega$ $\pm$ 1% 1/10W 1608	
178	1654 5602	Chip Resistor - 56K $\Omega$ $\pm$ 1% 1/10W	
179	1655 1001	Chip Resistor - 1K $\Omega$ $\pm$ 1% 1/16W	
180	1655 1911	Chip Resistor - 1.91K $\Omega$ $\pm$ 1% 1/16W	
181	1655 8871	Chip Resistor - 8.87K $\Omega$ $\pm$ 1% 1/16W	
182	1660 0100	Capacitor - 10PF $\pm$ 0.5pF 50V	
183	1660 2101	Capacitor - 100pF - $\pm$ 10% - 50V	
184	1660 2470	Capacitor - 47pF $\pm$ 5% 50V	
185	1660 2471	Capacitor - 470pF - $\pm$ 5% - 50V	
186	1660 4103	Capacitor - 10000pF - $\pm$ 10% - 50V	
187	1660 8104	Capacitor - 0.1 $\mu$ F+80-20% 25V	
188	1902 0040	SRAM 256kx8 70ns G9	
189	1902 0042	RAM-1M X8 70ns TSOP G2	
190	1904 0013	SRAM - 256k X8 20ns G2	
191	1907 0007	SDRAM - 64k 1MX 16X4 100MHz G3	



## 39.I/O CONTROL BOARD (C244)

### CAPACITOR

SYMBOL NO.	INDEX NO.	SYMBOL NO.	INDEX NO.	SYMBOL NO.	INDEX NO.	SYMBOL NO.	INDEX NO.	SYMBOL NO.	INDEX NO.	SYMBOL NO.	INDEX NO.	SYMBOL NO.	INDEX NO.
C300	197	C310	198	C320	202	C330	203	C340	202	C350	161	C360	203
C301	157	C311	158	C321	203	C331	158	C341	203	C351	203	C361	204
C302	157	C312	199	C322	202	C332	199	C342	202	C352	202	C362	203
C303	157	C313	203	C323	203	C333	199	C343	203	C353	161	C363	203
C304	202	C314	203	C324	158	C334	204	C344	202	C354	161	C364	203
C305	203	C315	203	C325	201	C335	203	C345	203	C355	160	C365	202
C306	198	C316	198	C326	202	C336	202	C346	202	C356	160	C366	203
C307	203	C317	157	C327	203	C337	203	C347	161	C357	160	C367	203
C308	158	C318	199	C328	199	C338	202	C348	160	C358	160	C368	204
C309	198	C319	203	C329	201	C339	203	C349	161	C359	203	C369	204

### CAPACITOR

SYMBOL NO.	INDEX NO.	SYMBOL NO.	INDEX NO.	SYMBOL NO.	INDEX NO.	SYMBOL NO.	INDEX NO.	SYMBOL NO.	INDEX NO.	SYMBOL NO.	INDEX NO.	SYMBOL NO.	INDEX NO.
C370	203	C380	202	C390	203	C400	202	C410	200	C420	203	CN200	114
C371	203	C381	203	C391	159	C401	204	C411	203	C421	203	CN201	111
C372	202	C382	202	C392	203	C402	203	C412	202	C422	202	CN202	112
C373	204	C383	203	C393	202	C403	202	C413	202	C423	203	CN203	102
C374	204	C384	204	C394	202	C404	203	C414	203	C424	203	CN204	103
C375	204	C385	204	C395	204	C405	200	C415	202	C425	203	CN205	115
C376	204	C386	204	C396	204	C406	202	C416	203			CN206	105
C377	203	C387	204	C397	203	C407	202	C417	203			CN207	110
C378	203	C388	202	C398	204	C408	204	C418	202			CN208	108
C379	203	C389	203	C399	203	C409	203	C419	203			CN209	106

### CONNECTOR

## 39.I/O CONTROL BOARD (C244)

### CONNECTOR

SYMBOL NO.	INDEX NO.
CN210	106
CN211	119
CN212	113
CN213	117
---	---
CN215	104
CN216	109
---	---
---	---
CN219	116

SYMBOL NO.	INDEX NO.
CN221	107
CN222	107
CN224	116
CN225	118

### DIODE

SYMBOL NO.	INDEX NO.
D300	126
D301	126
D302	126
D303	126
D304	125
D305	128
D306	128
D307	128
D308	125
D309	125

SYMBOL NO.	INDEX NO.
D310	125
D311	125

### FIB

SYMBOL NO.	INDEX NO.
FIB300	155
FIB301	155
FIB302	155
FIB303	156
FIB304	156
FIB305	156
FIB306	156
FIB307	155

### IC

SYMBOL NO.	INDEX NO.
IC300	146
IC301	147
IC302	124
IC303	144
IC304	147
IC305	145
IC306	134
IC307	134
IC308	134
IC309	148

SYMBOL NO.	INDEX NO.
IC310	130
IC311	133
IC312	133
IC313	145
IC314	145
IC315	145
IC316	145
IC317	138
IC318	140
IC319	133

### IC

SYMBOL NO.	INDEX NO.
IC320	145
IC321	145
IC322	145
IC323	142
IC324	139
IC325	145
IC326	132
IC327	131
IC328	133
IC329	135

SYMBOL NO.	INDEX NO.
IC330	141
IC331	139
IC332	143
IC333	137
IC334	1
(Socket)	120
IC335	133
IC336	130
IC337	139
IC338	136
IC339	133

### LED

SYMBOL NO.	INDEX NO.
LED300	129
LED301	129
LED302	129
LED303	129
LED304	129

### OSC

SYMBOL NO.	INDEX NO.
OSC300	149

### RESISTOR

SYMBOL NO.	INDEX NO.
R300	194
R301	194
R302	---
R303	---
R304	195
R305	195
R306	164
R307	164
R308	164
R309	164

SYMBOL NO.	INDEX NO.
R310	164
R311	164
R312	164
R313	164
R314	185
R315	190
R316	187
R317	189
R318	193
R319	187

SYMBOL NO.	INDEX NO.
R320	189
R321	184
R322	177
R323	177
R324	177
R325	163
R326	179
R327	176
R328	177
R329	177

## 39.I/O CONTROL BOARD (C244)

### RESISTOR

SYMBOL NO.	INDEX NO.	SYMBOL NO.	INDEX NO.	SYMBOL NO.	INDEX NO.	SYMBOL NO.	INDEX NO.	SYMBOL NO.	INDEX NO.	SYMBOL NO.	INDEX NO.	SYMBOL NO.	INDEX NO.
R330	169	R340	169	R350	186	R360	177	R370	183	R380	184	R390	177
R331	166	R341	162	R351	168	R361	181	R371	177	R381	177	R391	184
R332	166	R342	162	R352	184	R362	177	R372	183	R382	184	R392	177
R333	169	R343	166	R353	190	R363	181	R373	177	R383	178	R393	177
R334	169	R344	162	R354	184	R364	168	R374	183	R384	184	R394	177
R335	166	R345	162	R355	184	R365	168	R375	177	R385	182	R395	184
R336	162	R346	177	R356	---	R366	177	R376	192	R386	177	R396	177
R337	162	R347	177	R357	196	R367	177	R377	188	R387	163	R397	177
R338	166	R348	190	R358	169	R368	183	R378	180	R388	177	R398	177
R339	173	R349	186	R359	176	R369	183	R379	177	R389	177	R399	177

### RESISTOR

SYMBOL NO.	INDEX NO.	SYMBOL NO.	INDEX NO.	SYMBOL NO.	INDEX NO.	SYMBOL NO.	INDEX NO.	SYMBOL NO.	INDEX NO.	RAY NO.	INDEX NO.	TP NO.	INDEX NO.
R400	174	R410	169	R420	174	R430	174	R440	177	RAY300	151	TP300	101
R401	169	R411	175	R421	177	R431	171	R441	177	RAY301	151	TP301	101
R402	171	R412	167	R422	175	R432	177	R442	177	RAY302	151	TP302	101
R403	175	R413	177	R423	174	R433	177			RAY303	151	TP303	101
R404	193	R414	165	R424	171	R434	177			RAY304	151	TP304	101
R405	191	R415	177	R425	177	R435	177			RAY305	150	TP305	101
R406	175	R416	172	R426	174	R436	177			RAY306	151	TP306	101
R407	167	R417	169	R427	171	R437	177			RAY307	150	---	---
R408	170	R418	169	R428	177	R438	177					---	---
R409	169	R419	177	R429	171	R439	177					---	---

### 39.I/O CONTROL BOARD (C244)

TP

SYMBOL NO.	INDEX NO.
----	---
TP311	101
TP312	101
TP313	101
TP314	101
TP315	101
TP316	101
TP317	101
TP318	101
TP319	101

VR

SYMBOL NO.	INDEX NO.
----	---
----	---
TP322	101
TP331	101
TP332	101
TP333	101
TP334	101
TP335	101
TP336	101
TP337	101

ZD

SYMBOL NO.	INDEX NO.
ZD300	127

SYMBOL NO.	INDEX NO.
VR303	154
VR304	154
VR305	153
VR306	154
VR307	154
VR308	152

### 39.I/O CONTROL BOARD (C244)

Index No.	Part No.	Description	Q'ty Per Assembly
*	C236 5115	I/O Control Board Ass'y	1
1	C236 5124	IC - I/O Control	1

Index No.	Part No.	Description	Q'ty Per Assembly
101	1100 1474	Test Pin	
102	1102 3822	Connector - 20P	
103	1102 4203	CT Header - 4P	
104	1102 4205	CT Header - 6P	
105	1102 4211	CT Header - 12P	
106	1102 4684	Connector - 5566-06R-210	
107	1102 5003	Fiber Connector - DC1002 - 2P	
108	1102 5305	Connector - 6P	
109	1102 5414	Connector - 30P	
110	1102 6396	Connector - 1P	
111	1102 6594	Connector - 10P	
112	1102 6595	Connector - 11P	
113	1102 7851	Connector - B20B	
114	1102 8085	Connector - FX2CA2-120P-1.27DSAL	
115	1102 8397	Connector - B07B-CZHK-B-1	
116	1102 8408	Connector - B24B-CZW HK-B-1	
117	1102 8410	Connector - B28B-CZW HK-B-1	
118	1102 8593	Connector - B11B-CZHK-B-1	
119	1102 8595	Connector - B17B-CZHK-B-1	
120	1104 0588	DIP Socket - 28P	
121	1400 0455	Transistor - 2SC2873Y	
122	1400 0720	Transistor - DTC143ZSA	
123	1400 0785	Transistor - DTD113ZK	
124	1401 0400	Transistor Array - SLA4060	
125	1401 0835	Diode - 1SS190	
126	1402 0780	Diode - 200V - 1A - 11ES2	
127	1402 1206	Zener Diode	
128	1402 1342	Diode - 1SR154-400	
129	1403 0829	Diode - SEC1201C	
130	1407 1600	TTLIC - SN74LS244NS	
131	1407 1605	TTLIC - SN74LS157NS	
132	1407 1746	TTL - SN74LS240NS	
133	1407 2187	TTLIC - SN74LS07NS	
134	1407 2219	IC - TD62003AP	
135	1407 2231	IC - TD62308AF	

Index No.	Part No.	Description	Q'ty Per Assembly
136	1407 2247	TTL - SN74LS164NS	
137	1407 2261	IC - NJM2902M	
138	1407 3285	IC - TC74HC08AF	
139	1407 3306	IC - TC74HC244AF	
140	1407 4315	IC - TE7751	
141	1407 5162	IC - HD6412350F20	
142	1408 0575	IC - M51957BFP	
143	1408 0595	IC - NJM2904M	
144	1408 0827	IC - TA8429H	
145	1408 1204	IC - TA8083P	
146	1408 1408	IC - STK672-060	
147	1408 1410	IC - STK672-120	
148	1408 1503	IC - STK672-080	
149	1503 0252	Crystal Resonater - 14.7456Mhz	
150	1601 7752	Resistor Array - 10K $\Omega$ $\pm$ 5%	
151	1601 7867	Resistor - 33 $\Omega$ $\pm$ 5% 1/16W	
152	1601 8147	Variable Resistor - 10K $\Omega$ 0.5W	
153	1601 8182	Resistor - 500KORM 0.5W	
154	1601 8186	Variable Resistor - 200K $\Omega$	
155	1602 0987	Capacitor & Coil - 270pF 100V	
156	1602 7011	Capacitor - 270pF $\pm$ 20% 50V	
157	1604 1475	Capacitor - 100 $\mu$ F $\pm$ 20% 50V	
158	1604 4333	Capacitor - 100 $\mu$ F $\pm$ 20% 10V	
159	1605 0850	Capacitor	
160	1606 1985	Capacitor - 0.033 $\mu$ F $\pm$ 5% 50V	
161	1606 1986	Capacitor - 0.1 $\mu$ F $\pm$ 5% 16V	
162	1610 1234	Resistor - 47 $\Omega$ 1W $\pm$ 5%	
163	1630 1121	Resistor - 120 $\Omega$ $\pm$ 5% 1/8W	
164	1630 2221	Resistor - 220 $\Omega$	
165	1630 3100	Resistor - 10 $\Omega$ $\pm$ 5% 1/10W	
166	1630 3151	Resistor - 150 $\Omega$ $\pm$ 5% 1/10W	
167	1630 3221	Resistor - 220 $\Omega$ $\pm$ 5% 1/10W	
168	1630 3222	Resistor - 2.2K $\Omega$ 1/10W $\pm$ 5%	
169	1630 3332	Resistor - 3.3K $\Omega$ 1/10W $\pm$ 5%	
170	1630 3471	Resistor - 470 $\Omega$ - 1/10W	

Index No.	Part No.	Description	Q'ty Per Assembly
171	1630 3472	Resistor - 4.7K $\Omega$ 1/10W $\pm$ 5%	
172	1630 3474	Resistor - 470K $\Omega$ $\pm$ 5% 1/10W	
173	1630 3682	Resistor - 6.8k $\Omega$ - 1/10W	
174	1630 3683	Resistor - 68K $\Omega$ $\pm$ 5% 1/10W	
175	1630 3824	Resistor - 820K $\Omega$ $\pm$ 5% 1/10W	
176	1630 4102	Resistor - 1.0K $\Omega$ $\pm$ 5% 1/16W	
177	1630 4103	Resistor - 10K $\Omega$ $\pm$ 5% 1/16W	
178	1630 4105	Resistor - 1.0M $\Omega$ $\pm$ 5% 1/16W	
179	1630 4153	Resistor - 15K $\Omega$ $\pm$ 5% 1/16W	
180	1630 4222	Resistor - 2.2K $\Omega$ $\pm$ 5%	
181	1630 4243	Resistor - 24K $\Omega$ $\pm$ 5% 1/16W	
182	1630 4562	Resistor - 5.6k $\Omega$ - $\pm$ 5% - 1/16W	
183	1630 4821	Resistor - 820 $\Omega$ $\pm$ 5% 1/16W	
184	1633 0000	Resistor - 0 $\Omega$ 1/10W	
185	1633 6200	Resistor - 620 $\Omega$ - 1/10W	
186	1634 1000	Resistor - 100 $\Omega$ $\pm$ 1% 1/16W	
187	1634 1001	Resistor - 1K $\Omega$ $\pm$ 5% 1/16W	
188	1634 1002	Resistor - 10 $\Omega$ $\pm$ 5% 1/16W	
189	1634 1502	Resistor - 15K $\Omega$ $\pm$ 1% 1/16W	
190	1634 1600	Resistor - 160 $\Omega$ $\pm$ 1% 1/16W	
191	1634 2000	Resistor - 200 $\Omega$ $\pm$ 1% 1/16W	
192	1634 4301	Resistor - 4.3K $\Omega$ $\pm$ 1% 1/8W	
193	1634 4700	Resistor - 470 $\Omega$ $\pm$ 1% 1/16W	
194	1634 6802	Resistor - 68K $\Omega$ $\pm$ 1% 1/16W	
195	1634 7501	Resistor - 7.50k $\Omega$ $\pm$ 1% 1/16W	
196	1634 8200	Resistor - 820 $\Omega$ $\pm$ 1% 1/16W	
197	1640 5101	Capacitor - 100 $\mu$ F $\pm$ 20% 50V	
198	1644 1100	Capacitor - 10 $\mu$ F $\pm$ 20% 16V	
199	1644 5100	Capacitor - 10 $\mu$ F $\pm$ 20% 50V	
200	1660 0100	Capacitor - 10PF $\pm$ 0.5pF 50V	
201	1660 2470	Capacitor - 47pF $\pm$ 5% 50V	
202	1660 2471	Capacitor - 470pF - $\pm$ 5% - 50V	
203	1660 4103	Capacitor - 10000pF - $\pm$ 10% - 50V	
204	1660 8104	Capacitor - 0.1 $\mu$ F+80-20% 25V	

# 40.DECALS AND DOCUMENTS (C244)

**1**

**7**

**14**

**8**

**9**

**2**

**3**

English	Spanish
German	Dutch
French	Chinese
Italian	Portuguese

**4**

**5**

Operating Instructions

**6**

CAUTION

**10**

●左のノブを矢印方向に回し、▲を■に合わせてからドラムを入れてください。

**11**

**13**

English	English
English	English
English	English
English	English

**12**

**15**

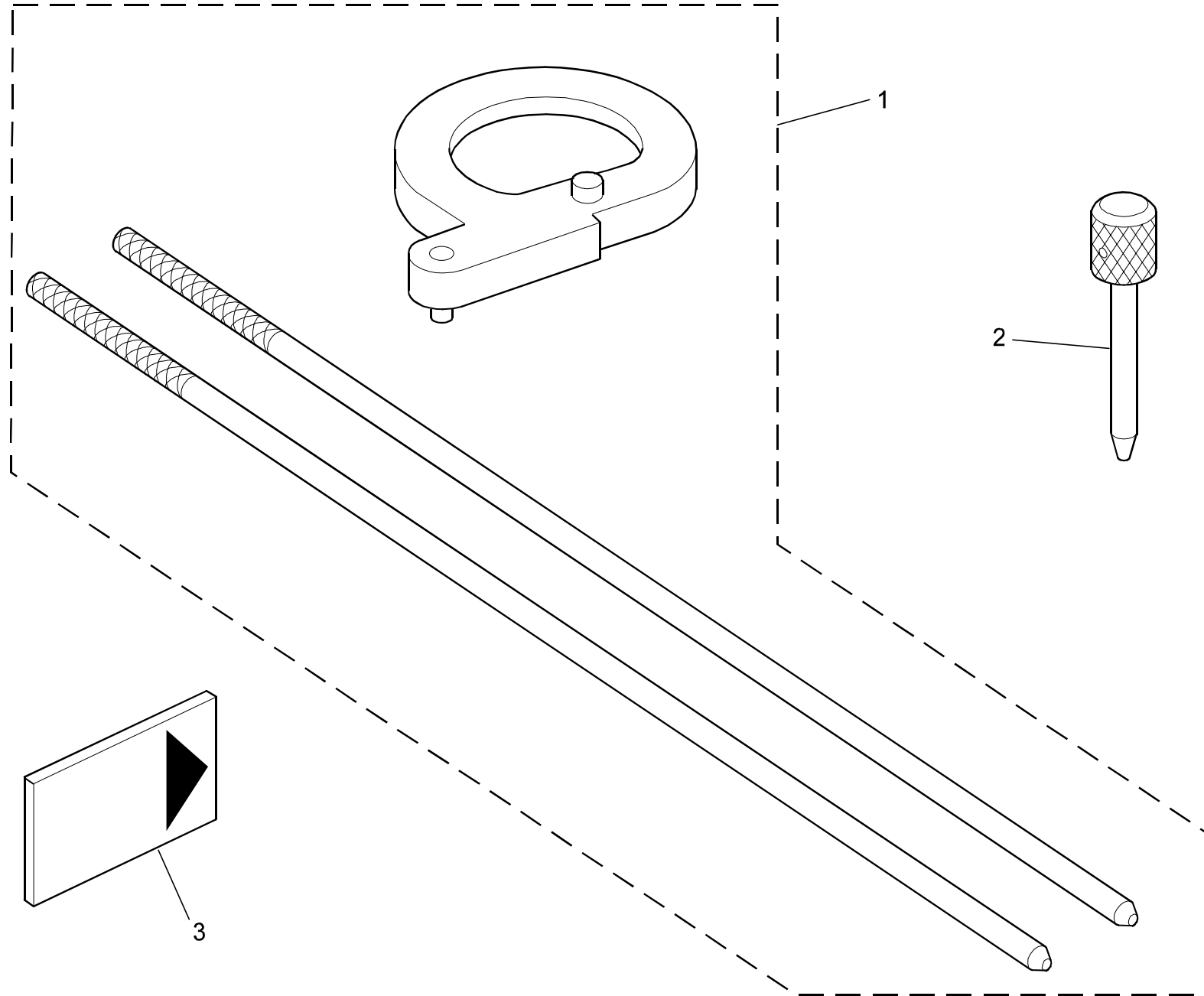
#### 40.DECALS AND DOCUMENTS (C244)

Index No.	Part No.	Description	Q'ty Per Assembly
1	C229 1350	Operation Sheet	1
2	C239 2951	Decal - Paper Size	1
3	C244 1353	Decal - Panel Language	1
4	C229 3529	Decal - Delivery Table Slider	1
5	C244 8690	Operating Instructions - English (NRG EU)	1
5	C244 8697	Operating Instructions - English (RIC/GES/SVN/ NA)	1
5	C244 8698	Operating Instructions - English (STD NA)	1
6	C233 1295	Decal - Ink Supply	1
7	C239 1978	Decal - Master Removal	1
8	C229 2399	Decal - Drum Operation	1
9	C239 2138	Decal - Master Set	1
10	C229 1356	Decal - Cylinder Operation	1
11	C229 3528	Decal - Master Eject Box	1
12	C239 1354	Decal - Paper Feed	1
13	C232 1354	Installation Sheet - Start Key	1
14	C238 1359	Decal - Paper Table	1
15	C233 1290	Decal - Caption LED	1

Index No.	Part No.	Description	Q'ty Per Assembly



41.SPECIAL TOOLS (C244)



### 41.SPECIAL TOOLS (C244)

Index No.	Part No.	Description	Q'ty Per Assembly
1	C229 9000	Drive Adjustment Tool Kit	1
2	A006 9104	Scanner Positioning Pin	1
3	A230 9352	Flash Memory Card	1

Index No.	Part No.	Description	Q'ty Per Assembly
-----------	----------	-------------	-------------------

# Parts Index

## PM Parts Index

Section Name	Part No.	Description in Service Manual	Description in Parts Catalog	Q'ty Per Assembly	Page and Index No.
Drive Section 1 (C244)	C229 5840	Main Motor Gear	Main Motor Gear	1	13- 11
Paper Feed Section 3 (C244)	C229 2835	Paper Feed Roller Ass'y	Paper Feed Roller Ass'y	1	23- 27
Paper Feed Section 4 (C244)	C236 2886	Separation Pad - A Ass'y	Separation Pad - A Ass'y	1	25- 31
	C236 2895	Separation Pad - B Ass'y	Separation Pad - B Ass'y	1	25- 32
Pressure Cylinder 1 (C244)	C236 3005	Drum Clamp Ass'y	Drum Clamp Ass'y	1	29- 22
Paper Exit Section 2 (C244)	C229 3874	Transport Belt	Transport Belt	1	37- 3
Drum Unit 2 (C244)	C236 2316	Drum Cloth Screen Ass'y	Shield Screen Ass'y	1	45- 5
Plotter Unit 3 (C244)	C236 2080	Platen Roller Ass'y	Platen Roller Ass'y	1	63- 8

## Parts Index

Part No.	Description	Page and Index No.
C244 1340	Decal - Emblem JP8500	3- 21
C244 1341	Decal - Emblem 5490+	3- 21
C244 1342	Decal - Emblem 1395+	3- 21
C244 1343	Decal - Emblem CP490+	3- 21
C244 1345	Decal - Emblem SD650	3- 21
C244 1353	Decal - Panel Language	87- 3
C244 1456	Operation Panel Ass'y - NA	5- 6
C244 1456	Operation Panel Ass'y - NA	7- *
C244 1457	Operation Panel Ass'y - EU	5- 6
C244 1457	Operation Panel Ass'y - EU	7- *
C244 1511	Sheet - Display Board Monitor - NA	7- 19
C244 1512	Sheet - On Line - NA	7- 2
C244 1513	Behind Sheet - NA	7- 3
C244 1514	Sheet - Display Board Monitor - EU	7- 19
C244 1515	Sheet - On Line - EU	7- 2
C244 1516	Behind Sheet - EU	7- 3
C244 1951	Plotter Front Side Plate	65- 28
C244 2073	Upper Duct Case Ass'y	65- 5
C244 2135	Master Lower Guide Plate Sub - Ass'y	61- 23
C244 2744	Paper Feed Unit Ass'y	19- 40
C244 2773	Paper Tray	19- 22
C244 2774	Paper Feed Cover	19- 36
C244 2779	Harness Holder	19- 29
C244 5101	MPU Board	73- 6
C244 5101	MPU Board	81- *
C244 5114	IC Card Mpu-with Firmware	73- 18
C244 5248	Plotter Harness Ass'y	65- 6
C244 8690	Operating Instructions - English (NRG EU)	87- 5
C244 8697	Operating Instructions - English	87- 5
C244 8698	Operating Instructions - English (STD NA)	87- 5

Part No.	Description	Page and Index No.
A006 9104	Scanner Positioning Pin	89- 2
A030 1339	Plate Nut - Key Counter	5- 12
A049 3371	Magnet	71- 19
A077 4162	Shoulder Screw - M3	59- 7
A109 4775	Stepped Screw - M5	75- 17
A109 4775	Stepped Screw - M5	19- 3
A193 1752	Left Scale Guide	5- 22
A193 1759	Stepped Screw	5- 18
A193 1759	Stepped Screw	53- 7
A193 1766	Wire Clamp	55- 4
A193 1767	1st Mirror Holder	55- 7
A193 1769	Clamp - Rear Wire	55- 6
A193 1783	Tension Spring	57- 3
A193 1816	1st Slide Rail	57- 7
A193 1829	Ball Bearing - M8	57- 16
A193 5711	Power Supply Cord	75- 16
A230 9352	Flash Memory Card	89- 3
A250 1752	Exposure Glass	5- 10
A250 1752	Exposure Glass	53- 9
A250 1761	Original Sensor - H=2-66	55- 9
A250 1784	1st Mirror	55- 8
A250 5501	IC - G8 HG71C106FL	81- 1
A250 5503	IC - V-IPU	81- 2
A250 5736	Lamp Stabilizer	55- 14
A267 1089	Grounding Plate - Upper Rear	9- 28
A267 1671	Carriage - No.2 Ass'y	57- 11
A267 1743	Bracket - Scale	53- 5
A267 1752	1st Scanner Housing	55- 5
A267 1758	Harness Guide - Exposure Lamp	55- 2
A267 1776	Guide - FPC	57- 9
A267 1777	Mirror Holder	57- 8
A267 1811	Front Stay Bracket	57- 1
A267 1812	Rear Stay Bracket	57- 24
A267 1813	Scanner Frame	53- 2
A267 1814	Hinge Bracket - Platen Cover	53- 1

Part No.	Description	Page and Index No.
A267 1815	Right Inner Cover	53- 11
A267 1816	Guide - Flexible Board	57- 15
A267 1817	Slide Rail - 2	57- 6
A267 1819	Insulating Sheet - Side Plate	57- 14
A267 1820	Sheet - Photointerrupter	53- 10
A267 1825	Scanner Drive Shaft	57- 19
A267 1846	Idler Bracket	57- 4
A267 1849	Tension Bracket	57- 2
A267 1853	Pulley - Front Left	57- 5
A267 1854	Pulley - Rear Left	57- 13
A267 5508	IC - IMAC R RR5C490	81- 3
A267 5703	Flexible Cable	55- 3
A376 1257	Spacer - M4x6x6	65- 44
A659 1272	Door Catch	65- 8
A659 1272	Door Catch	3- 8
B024 1680	Left Scale	53- 6
B024 1700	Left Scale	5- 8
B024 1701	Inner Back Scale	53- 8
B024 1701	Inner Back Scale	5- 11
C200 2266	Bearing Holder	27- 1
C200 2338	Gear - 20T	63- 32
C200 3712	Pulley	23- 7
C201 4604	Drum Rail Roller	43- 23
C201 4604	Drum Rail Roller	25- 45
C201 4665	Bearing Holder	51- 2
C201 5125	Stepped Screw - M6	51- 6
C201 5125	Stepped Screw - M6	43- 29
C201 5125	Stepped Screw - M6	15- 6
C201 5125	Stepped Screw - M6	13- 21
C207 4672	Gear - 36Z	13- 9
C209 3133	Retaining Ring - M6	23- 17
C209 4303	Gear -27Z	63- 7
C209 4305	Gear - 16Z	63- 17
C209 4713	Hose Band	49- 19
C209 5092	Rubber Plate Lever	19- 15

Part No.	Description	Page and Index No.
C209 8117	Drum Master Detection Sensor	27- 27
C209 8234	Drum Lock Solenoid	65- 29
C209 8288	Table Down Switch	11- 14
C213 2435	Magnet Plate	59- 20
C217 2455	Key Counter Cover	75- 1
C217 4426	Shoulder Screw	33- 11
C217 4426	Shoulder Screw	40- 35
C217 5102	Spring Washer	43- 3
C217 5126	Cam Follower Plate	27- 24
C217 8447	DC Motor - 24V/7.2W	23- 15
C217 8447	DC Motor - 24V/7.2W	25- 11
C218 2525	Stepped Screw - M4	35- 7
C218 3039	Flat Cable Clamp	75- 18
C218 4038	Bushing Washer - M8	63- 28
C219 3950	Stepped Screw	43- 2
C219 4071	Gear - 17Z	65- 19
C222 8208	Air Knife Motor - DC 5.3W	65- 24
C224 4715	Pump Spring - 13 Mm	47- 14
C225 6135	Stepped Screw	51- 12
C227 6156	Upper Guide Shaft	40- 5
C228 8030	IC - THERMAL HEAD DRIVE	81- 4
C229 1028	Pressure Cylinder Drive Shaft	13- 15
C229 1036	Drive Bracket	13- 22
C229 1039	Motor Gear	13- 33
C229 1040	Bearing Holder	13- 27
C229 1043	Dial Shaft	33- 19
C229 1044	Spacer	33- 45
C229 1048	Tension Bracket	13- 18
C229 1048	Tension Bracket	15- 4
C229 1050	Base	9- 1
C229 1063	Hexagon Screw - M5x4	13-104
C229 1064	Ball Bearing 68000ZZ	13- 31
C229 1066	Main Motor Base	13- 29
C229 1067	Tension Holder	13- 19
C229 1070	Grip Plate - Long	9- 3

Part No.	Description	Page and Index No.
C229 1071	Grip Plate - Short	9- 6
C229 1072	Grip Guide Bracket	9- 4
C229 1073	Right Grip Cover - Inner Rear	75- 19
C229 1073	Right Grip Cover - Inner Rear	9- 5
C229 1075	Left Stay	33- 20
C229 1078	Harness Cover	9- 15
C229 1082	Front Guide Shaft	33- 10
C229 1083	Rear Guide Shaft	33- 25
C229 1093	Timing Pulley Bracket	15- 28
C229 1094	Timing Pulley - Pressure Cylinder	15- 9
C229 1096	Stand M28	9- 2
C229 1101	Drum Drive Support Plate	13- 10
C229 1121	Relay Gear Shaft	15- 26
C229 1123	Left Image Shaft Support Plate	15- 13
C229 1124	Sector Gear - Image Shift	15- 15
C229 1126	Sensor Acuator	15- 16
C229 1127	Right Support Plate	15- 8
C229 1128	Drive Support Bracket	15- 3
C229 1130	Relay Gear Ass'y	15- 14
C229 1136	Timing Pulley - Job Separator	33- 29
C229 1137	Drive Relay Gear	33- 38
C229 1139	Timing Belt - S2M190	33- 26
C229 1140	Feed Roller Drive Gear	13- 8
C229 1142	Timing Belt - S5M780	15- 11
C229 1143	Tension Spring	13- 20
C229 1143	Tension Spring	15- 7
C229 1145	Belt Tension Roller	13- 17
C229 1145	Belt Tension Roller	15- 27
C229 1151	Gear Pulley	13- 24
C229 1154	Timing Belt	13- 25
C229 1155	Driven Shaft Gear	33- 40
C229 1160	Dial Adjuster	33- 4
C229 1161	Dial Drive Pulley - 20Z	33- 3
C229 1162	Pulley Spacer	33- 2
C229 1163	Timing Belt - S3M118Z	33- 1

Part No.	Description	Page and Index No.
C229 1173	Dial Spring	13- 23
C229 1174	Image Shift Motor Bracket	15- 18
C229 1175	Worm Wheel	15- 20
C229 1176	Worm Gear	15- 24
C229 1177	Shift Sensor Encoder	47- 41
C229 1177	Shift Sensor Encoder	15- 25
C229 1178	Sensor Bracket	15- 22
C229 1179	Image Shift Drive Shaft	15- 21
C229 1187	Timing Belt - Pressure Cylinder Drive	15- 10
C229 1192	Drum Guide Pin	13- 16
C229 1198	Lower Timing Pulley - Cylinder Drive	13- 7
C229 1254	Cushion - Front Door	3- 5
C229 1258	Door Support Plate	3- 4
C229 1259	Door Catch Bracket	3- 9
C229 1260	Door Hinge Ass'y	3- 6
C229 1264	Safety Switch Bracket	3- 3
C229 1272	Left Cover Bracket	11- 2
C229 1288	Knob Cover - Cylinder Cleaning	5- 2
C229 1289	Small Cap	5- 1
C229 1290	Upper Right Support Plate	11- 15
C229 1291	Support Plate - Right Lower	19- 1
C229 1294	Inner Cover Seal	5- 9
C229 1299	Inner Cover	5- 4
C229 1350	Operation Sheet	3- 7
C229 1350	Operation Sheet	87- 1
C229 1356	Decal - Cylinder Operation	87- 10
C229 1474	LED Display	7- 7
C229 1480	Key - Top Start	7- 15
C229 1509	Dust Protection Sheet	7- 17
C229 1977	Plotter Cover - Front	59- 29
C229 1979	Stay - Plotter Cover	59- 21
C229 1982	Rear Cover	59- 16
C229 1993	Slide Rail Spacer	63- 3
C229 2006	Bushing	63- 5
C229 2028	Maser Roll Pulley	59- 15

Part No.	Description	Page and Index No.
C229 2032	Left Guide Mylar	61- 26
C229 2036	Rear Upper Guide Plate	61- 2
C229 2047	Right Reverse Roller Guide	65- 9
C229 2052	Release Guide Arm	65- 33
C229 2057	Upper Link Arm	65- 34
C229 2058	Lower Guide Link	65- 32
C229 2066	Fan Cover	65- 39
C229 2071	Antistatic Brush - 310	65- 35
C229 2102	Drive Gear - 26z	67- 4
C229 2102	Drive Gear - 26Z	61- 13
C229 2103	Worm Gear	61- 21
C229 2104	Idle Gear	61- 20
C229 2107	Actuator Gear	61- 19
C229 2112	Release Cam	61- 11
C229 2113	Release Roller	61- 10
C229 2122	Right Roller Guide	63- 19
C229 2139	Lower Master Cover	61- 24
C229 2142	Decal - Master Position	61- 3
C229 2148	Left Arm - Master Feed Roller	59- 3
C229 2149	Right Arm - Master Feed Roller	59- 6
C229 2158	Master Feed Roller Knob	59- 10
C229 2159	Pressure Spring	59- 1
C229 2160	Release Spring	59- 8
C229 2161	Master Feed Roller Gear	59- 9
C229 2187	Bracket Hinge Pin	59- 27
C229 2188	Front Master Stay	59- 24
C229 2189	Master Flange Spring	61- 1
C229 2193	Front Bracket - Master Flange	59- 25
C229 2209	Cutter Unit Ass'y	61- 9
C229 2239	Master Sensor Cover	61- 7
C229 2240	Bracket - Master Sensor	61- 6
C229 2248	Left Grounding Plate	65- 7
C229 2249	Grounding Plate	63- 30
C229 2254	Harness Cover	65- 13
C229 2255	Plotter Bottom Plate	65- 26

Part No.	Description	Page and Index No.
C229 2260	Plotter Connector Bracket	25- 5
C229 2261	Connector Plate	25- 4
C229 2279	Tension Bracket	11- 16
C229 2281	Master Tension Roller	11- 13
C229 2313	Drum Rail Ass'y	43- 27
C229 2357	Switch Lever Knob	43- 6
C229 2362	Drum Release Grip	43- 17
C229 2364	Front Inner Cover	43- 1
C229 2369	Bearing Shaft	49- 9
C229 2371	Bearing Shaft - Lower Left	49- 14
C229 2377	Magnet Catch Bracket	43- 13
C229 2379	Drum Guide Disk	45- 15
C229 2385	Grip Rail	43- 20
C229 2390	Stepped Screw	43- 36
C229 2391	Stopper Bracket	43- 34
C229 2392	Stopper Guide	43- 35
C229 2394	Spring Plate	43- 28
C229 2396	Spring Plate	43- 22
C229 2397	Left Bracket	43- 37
C229 2398	Right Bracket	43- 38
C229 2399	Decal - Drum Operation	87- 8
C229 2399	Decal - Drum Operation	43- 21
C229 2405	Drum Stopper Arm	43- 18
C229 2406	Drum Lock Spring	43- 19
C229 2413	Stepped Screw - Drum Lock	43- 24
C229 2419	Rear Drum Disk	45- 10
C229 2422	Rear Outer Flange	45- 14
C229 2423	Fixing Plate	45- 12
C229 2424	Plate Nut	45- 13
C229 2428	Slider	45- 9
C229 2431	Drum Positioning Pin	45- 11
C229 2434	Switch Acuator	45- 6
C229 2435	Drive Gear - 50Z	45- 24
C229 2441	Rear Drum Frame	43- 25
C229 2442	Rear Drum Flange	45- 16



Part No.	Description	Page and Index No.
C229 2450	Front Bank Plate	51- 18
C229 2451	Ink Roller	51- 16
C229 2458	Doctor Roller	51- 19
C229 2459	Gear - 37Z	51- 4
C229 2466	Rear Bank Plate	51- 20
C229 2470	Front Ink Blade	51- 1
C229 2471	Rear Ink Blade	51- 23
C229 2473	Adjusting Plate - Doctor Roller	51- 5
C229 2477	Drum Sensor Sheet	65- 20
C229 2478	Gear - 19Z	51- 3
C229 2479	Support Stay	51- 35
C229 2487	Ink Holder Knob	47- 7
C229 2488	Ink Holder Slider	47- 5
C229 2490	Ink Bottle Bracket	49- 4
C229 2491	Ink Sensor Bracket	49- 7
C229 2493	Right Ink Holder	47- 2
C229 2494	Left Slide Rail	49- 10
C229 2495	Right Slide Rail	49- 11
C229 2496	Right Guide - Slide Rail	47- 1
C229 2498	Ink Cartridge Cover	47- 9
C229 2499	Left Guide - Slide Rail	47- 4
C229 2500	Left Ink Holder	47- 3
C229 2502	Ink Pump Ass'y	47- 44
C229 2509	Ink Supply Pump	47- 11
C229 2510	Pump Cap	47- 16
C229 2511	Pump Shaft	47- 18
C229 2514	O-ring P9	47- 8
C229 2515	O-ring P10	47- 10
C229 2516	O-ring P14	47- 12
C229 2517	O-ring P16	47- 17
C229 2518	Pump Shaft Holder	47- 20
C229 2519	Pump Shaft Guide	47- 19
C229 2520	Pump Drive Bracket	47- 21
C229 2525	Bushing - Pump Drive Gear	47- 25
C229 2526	Large Drive Gear	47- 26

Part No.	Description	Page and Index No.
C229 2527	Pump Gear	47- 24
C229 2528	Worm Gear	47- 23
C229 2529	Ink Supply Motor	47- 46
C229 2530	Ink Pump Sensor Bracket	47- 31
C229 2531	Pump Shaft Bushing	47- 22
C229 2532	Pump Case	47- 15
C229 2534	Distributor Bracket	49- 17
C229 2535	Ink Distributor	49- 18
C229 2537	Pump Motor Cover	47- 27
C229 2538	Ink Tube	49- 20
C229 2542	Harness Cover	49- 16
C229 2550	Sensor Actuator	51- 7
C229 2557	Ink Supply Roller Arm	51- 8
C229 2558	Motor Bracket	49- 2
C229 2563	Sensor Bracket	49- 12
C229 2571	Shift Motor Bracket	47- 40
C229 2576	Worm Gear	47- 37
C229 2580	Slide Fixed Plate	47- 33
C229 2581	Drum H.P Sensor Bracket	47- 35
C229 2582	Drum Shift Sensor Bracket	47- 39
C229 2583	Slider	47- 34
C229 2589	Drum Shift Cover	47- 38
C229 2590	Shift Motor Cover	47- 43
C229 2596	Front Screen Clamper	45- 3
C229 2601	Front Stepped Screw	45- 22
C229 2605	Clamper Seal	45- 7
C229 2609	Spring Plate	47- 32
C229 2615	Slide Rail Roller	9- 17
C229 2621	Spring Plate	33- 31
C229 2624	Shift Drive Gear	47- 36
C229 2626	Drum Position Plate - Small	11- 20
C229 2630	Drum H.P Sensor Ass'y	33- 47
C229 2631	Limit Sensor Bracket	33- 33
C229 2633	Stepped Screw	25- 34
C229 2644	Rear Drum Frame Aux.	43- 31

Part No.	Description	Page and Index No.
C229 2646	Gear Z16	51- 22
C229 2647	Drum Shaft	45- 17
C229 2751	Right Side Plate	21- 10
C229 2754	Left Side Plate	21- 6
C229 2755	Lift Up Rack - Paper Table	21- 1
C229 2757	Paper Table Lower Stay	21- 19
C229 2761	Cushion	21- 31
C229 2763	Lower Shield Plate	5- 17
C229 2764	Lower Shield Plate A	5- 15
C229 2765	Lower Shield Plate B	5- 16
C229 2775	Right Stay - Paper Table	21- 28
C229 2776	Left Stay - Paper Table	21- 18
C229 2780	Side Fence Rack - Right	19- 31
C229 2781	Side Fence Rack	19- 34
C229 2784	Grounding Plate	19- 27
C229 2793	Side Fence Stopper	19- 8
C229 2794	Tension Spring Plate	19- 32
C229 2805	Paper Table Ass'y	21- *
C229 2806	Paper Tray	21- 9
C229 2807	Paper Table - Fixed	21- 29
C229 2810	Paper Set Sensor Bracket	21- 27
C229 2814	Right Adjusting Plate	21- 25
C229 2815	Left Adjusting Plate	21- 24
C229 2816	Pressure Release Arm - Right	21- 23
C229 2817	Pressure Release Arm - Left	21- 22
C229 2820	Pressure Release Plate	21- 21
C229 2823	Table Lift Shaft	21- 20
C229 2824	Gear - 20Z	21- 3
C229 2826	Spring Anchor - Right	21- 7
C229 2827	Spring Anchor - Left	21- 2
C229 2828	Lift Up Spring - Paper Tray	19- 2
C229 2829	Lift Up Shaft	21- 4
C229 2833	Paper Feed Arm	23- 30
C229 2834	Balancer Arm	23- 24
C229 2835	Paper Feed Roller Ass'y	23- 27

Part No.	Description	Page and Index No.
C229 2836	Paper Feed Roller	23- 28
C229 2837	Paper Feed Roller - Center	23- 29
C229 2838	Pick-up Roller Shaft	23- 20
C229 2839	Paper Feed Roller Shaft	23- 19
C229 2840	Pad	21- 14
C229 2845	Paper Feed Guide Plate	23- 3
C229 2850	Paper Feed Stay	23- 22
C229 2856	Worm Wheel Gear - 14Z/40Z	23- 12
C229 2857	Gear - 14Z/42Z	25- 18
C229 2857	Gear - 14Z/42Z	23- 8
C229 2858	Separation Control Rack	23- 6
C229 2860	Spring Bracket	23- 4
C229 2861	Paper Pressure Spring	23- 10
C229 2862	Paper Pressure Lever	23- 11
C229 2863	Bushing	23- 9
C229 2864	Paper Sensor Feeler	23- 25
C229 2866	Height Sensor Bracket	23- 21
C229 2893	Right Pressure Arm	27- 12
C229 2894	Left Pressure Arm	27- 10
C229 2898	Pressure Release Lock Arm - Right	27- 13
C229 2899	Pressure Release Lock Arm - Left	27- 9
C229 2900	Pressure Release Shaft	27- 11
C229 2901	Pressure Roller Spring	27- 7
C229 2906	Lower Registration Roller	27- 22
C229 2907	Registration Roller Pulley - 14z	27- 25
C229 2919	Guide Plate Spacer	27- 19
C229 2921	Registration Sensor Bracket	27- 14
C229 2922	Right Bracket - Guide Plate	27- 23
C229 2923	Left Bracket - Guide Plate	27- 21
C229 2927	Pressure Release Gear	17- 15
C229 2930	Guide Plate	17- 14
C229 2931	Pulley Cover	17- 13
C229 2946	Motor Pulley	17- 18
C229 2947	Drive Pulley - Paper Separation	23- 1
C229 2948	Timing Belt - 80-XL-050	17- 21

Part No.	Description	Page and Index No.
C229 2949	Timing Belt - 75-MXL-64	23- 26
C229 2950	Feed Roller Drive Pulley	23- 32
C229 2952	Spring Plate - Paper Tray	19- 25
C229 2954	Spring Plate	19- 26
C229 2955	Ground Plate	19- 24
C229 3092	Front Encoder Flange	29- 1
C229 3093	Encoder	29- 5
C229 3094	Encoder Holder	29- 4
C229 3096	Paper Feed Actuator	29- 2
C229 3133	Control Plate - Cam Drive	33- 41
C229 3135	Bushing - Cam Shaft	33- 6
C229 3143	Rack - Exchange Ass'y	33- 12
C229 3145	Worm Wheel - 50Z/16Z	37- 25
C229 3145	Worm Wheel - 50Z/16Z	33- 16
C229 3146	Gear - 80Z/16Z	33- 15
C229 3148	Bushing	33- 13
C229 3150	Job Motor Bracket	33- 43
C229 3161	Pressure Shaft Bracket - Front	31- 3
C229 3163	Solenoid Bracket	31- 13
C229 3164	Release Shaft Arm	31- 8
C229 3165	Pressure Release Shaft	31- 6
C229 3166	Release Spring	31- 9
C229 3181	Adjusting Cam	13- 6
C229 3182	Pressure Cylinder Gear	13- 5
C229 3183	Pressure Cylinder Sub Gear	13- 2
C229 3184	Stopper Flange	13- 4
C229 3185	Gear Adjuster	13- 1
C229 3186	Pressure Spring	13- 3
C229 3194	Pressure Cylinder Gear	33- 42
C229 3195	Gear Spacer	33- 34
C229 3196	Joint Flange	13- 14
C229 3196	Joint Flange	29- 3
C229 3205	Position Shaft	31- 17
C229 3206	Shaft Stopper	31- 1
C229 3207	Ring - M14	31- 12

Part No.	Description	Page and Index No.
C229 3220	Front Arm	31- 11
C229 3226	Pressure Cylinder Shaft Holder	31- 14
C229 3227	Pressure Cylinder Shaft Guide	31- 16
C229 3230	Rear Arm	31- 23
C229 3234	Encoder Guide	31- 22
C229 3275	Front Spring Bracket	31- 4
C229 3276	Rear Spring Bracket	31- 24
C229 3450	Transport Roller	69- 35
C229 3451	Lower Transport Roller	69- 28
C229 3453	Upper Transport Roller	69- 26
C229 3455	Roller Stay	69- 16
C229 3456	Middle Guide	69- 25
C229 3457	Rear Upper Guide	69- 23
C229 3458	Front Upper Guide	69- 24
C229 3459	Pressure Spring	69- 7
C229 3462	Rear Side Plate	69- 18
C229 3464	Lower Stay	69- 32
C229 3465	Transport Lower Guide	69- 31
C229 3467	Sensor Bracket	69- 29
C229 3471	Roller Unit Knob	69- 9
C229 3476	Spring Plate	69- 8
C229 3478	Roller Unit Arm	69- 10
C229 3481	Collar - 6mm	69- 22
C229 3486	Bushing - Master Eject Roller	69- 6
C229 3487	Front Slide Plate	69- 1
C229 3488	Sensor Harness Cover	69- 33
C229 3491	Upper Case	71- 25
C229 3493	Master Press Arm	71- 17
C229 3494	Master Press Arm Shaft	71- 20
C229 3495	Master Stripper Pawl	71- 15
C229 3496	Master Stripper Pawl Holder	71- 16
C229 3497	Eject Box Guide Ass'y	71- 8
C229 3499	Eject Box Lower Stay	71- 13
C229 3502	Slide Lock Lever	71- 11
C229 3505	Upper Case Release Lever	71- 24

Part No.	Description	Page and Index No.
C229 3508	Release Spring	71- 23
C229 3509	Upper Case Bracket	71- 22
C229 3510	Maser Eject Cover	71- 5
C229 3513	Upper Case Grip	71- 21
C229 3514	Grounding Plate	71- 14
C229 3517	Lower Left Case	71- 18
C229 3518	Eject Box Upper Stay	71- 12
C229 3521	Mster Eject Box Grip	71- 1
C229 3522	Stepped Screw	71- 4
C229 3522	Stepped Screw	17- 5
C229 3525	Release Spring	71- 3
C229 3526	Eject Box Grip Bracket	71- 7
C229 3528	Decal - Master Eject Box	87- 11
C229 3529	Decal - Delivery Table Slider	71- 10
C229 3529	Decal - Delivery Table Slider	87- 4
C229 3530	Driven Pulley - 18Z	69- 4
C229 3531	Gear/Pulley - 26Z/16T	69- 5
C229 3532	Timing Belt - S2M76	69- 3
C229 3533	Belt Tension Bracket	69- 14
C229 3536	Belt Tension Collar	69- 15
C229 3537	Transport Lower Gear - 26Z	69- 2
C229 3541	Joint Pressure Spring	67- 3
C229 3542	3rd Gear - 22z	67- 18
C229 3543	Motor Bracket	67- 26
C229 3544	Gear Pulley - 18Z/60Z	67- 20
C229 3545	2nd Gear - 8Z/32Z	67- 17
C229 3547	Joint Cam	67- 2
C229 3548	Joint Shaft	67- 1
C229 3549	Joint Gear Bracket	67- 5
C229 3551	Timing Belt - S2M160	67- 19
C229 3556	Torque Limiter	67- 24
C229 3557	Gear - 17Z	67- 23
C229 3558	2nd Gear - 18Z/49Z	67- 25
C229 3563	Motor Bracket	67- 16
C229 3564	Eject Cam Holder	67- 11

Part No.	Description	Page and Index No.
C229 3565	Master Eject Cam Spring	67- 13
C229 3566	Bushing - 8mm	67- 12
C229 3570	Rear Side Plate	67- 21
C229 3582	Positioning Sensor Bracket	67- 10
C229 3585	Sector Gear	33- 35
C229 3586	Driven Gear	33- 36
C229 3589	Slide Rail Stopper	69- 19
C229 3596	Lower Guide Stay - Transfer Roller	9- 14
C229 3597	Lower Stay	9- 13
C229 3609	Master Edge Guide	69- 13
C229 3615	Upper Guide - Eject Roller	69- 36
C229 3872	Timing Pulley	37- 13
C229 3874	Transport Belt	37- 3
C229 3875	Transport Belt Drive Shaft	37- 12
C229 3878	Knob	37- 1
C229 3911	Gear - 25Z/51Z	37- 24
C229 3912	Vacuum Plate Guide Arm	37- 8
C229 3913	Motor Bracket	37- 22
C229 3930	Gear Holder	33- 30
C229 3951	Lower Paper Exit Sensor Bracket	33- 22
C229 3952	Paper Exit Guide Plate	31- 7
C229 3961	Drive Pulley	33- 27
C229 3966	Drive Gear	33- 28
C229 3968	Paper Exit Pawl Lever	9- 12
C229 3973	Paper Exit Pawl Bracket	9- 10
C229 3975	Paper Exit Pawl Spring	9- 11
C229 3976	Lever Stopper	33- 39
C229 3977	Paper Exit Pawl Shaft	9- 9
C229 4001	Eject Clamper Open Arm	17- 1
C229 4050	Sector Guide Ass'y	17- 2
C229 4051	Joint Link	17- 3
C229 4053	Guide Pin	17- 4
C229 4054	Sector Arm	17- 8
C229 4056	Worm Gear	17- 10
C229 4057	Clamper Motor Bracket	17- 11

Part No.	Description	Page and Index No.
C229 4376	End Fence Cushion	40- 29
C229 4671	Sensor Bracket	39- 5
C229 4674	Separator Cover Hinge	35- 16
C229 4675	Separator Cover Shaft	35- 15
C229 4676	Separator Cover Spring	35- 18
C229 4677	Cushion	35- 20
C229 4701	Lift Motor Bracket	39- 8
C229 4702	Lift Motor Gurd Plate	39- 1
C229 4703	Separator Slider Bracket	39- 24
C229 4708	Screw Shaft	39- 10
C229 4709	Screw Shaft Boss	39- 14
C229 4711	Timing Pulley	39- 11
C229 4712	Timing Belt	39- 7
C229 4715	Slide Drive Gear	39- 13
C229 4718	Slider Holder	39- 16
C229 4724	Harness Clamp	39- 9
C229 4725	Separator Slider	39- 17
C229 4726	Separator Arm Link	39- 19
C229 4729	Separator Arm	39- 21
C229 4730	Separator Arm Holder	39- 22
C229 4733	Arm Spring	39- 20
C229 4734	Slider Spring Plate	39- 15
C229 5140	Ink Detection Board	43- 15
C229 5155	Paper Size Sensor Board	19- 28
C229 5157	Paper Pressure Board	23- 13
C229 5254	Harness - Master Sensor	69- 20
C229 5256	Harness - Oil Supply Motor	49- 1
C229 5351	IC - UPD65640GF	81- 5
C229 5611	Power Supply Cord Bracket	75- 8
C229 5613	Power Supply Cord Cover	75- 14
C229 5614	Total Counter Bracket	11- 17
C229 5615	Power Supply Unit Bracket	75- 11
C229 5619	Lower Bracket - MPU Board	75- 15
C229 5622	Motor Control Board Bracket	73- 15
C229 5624	Key Counter Bracket	75- 2

Part No.	Description	Page and Index No.
C229 5625	Interface Bracket	75- 6
C229 5628	Board Holder Stay	15- 1
C229 5631	Main Switch Bracket	11- 4
C229 5636	Flat Cable Bracket	75- 10
C229 5636	Flat Cable Bracket	9- 27
C229 5638	Grounding Plate	9- 19
C229 5644	Safety Switch Bracket	11- 5
C229 5645	Safety Switch Lever	11- 8
C229 5646	Safety Switch Spring	11- 9
C229 5656	Upper Ground Plate - PCB	73- 5
C229 5657	Lower Grounding Plate - PCB	73- 8
C229 5730	Paper Table Motor Bracket	21- 30
C229 5732	Feed Pressuer Motor Bracket	23- 14
C229 5739	Master Sensor Cover	27- 5
C229 5800	Main Motor - DC24V 100W	13- 30
C229 5801	Stepper Motor - DC 7W	17- 17
C229 5803	DC Motor - 50W	67- 15
C229 5803	DC Motor - 50W	61- 18
C229 5803	DC Motor - 50W	17- 12
C229 5803	DC Motor - 50W	47- 28
C229 5804	DC Motor - 20W	49- 3
C229 5804	DC Motor - 20W	33- 18
C229 5804	DC Motor - 20W	37- 23
C229 5805	Stepper Motor - DC24V	39- 12
C229 5807	Photosensor - Gp2a25	27- 16
C229 5807	Photosensor - GP2A25	33- 21
C229 5807	Photosensor - GP2A25	21- 13
C229 5807	Photosensor - Gp2a25	19- 30
C229 5807	Photosensor - GP2A25	61- 22
C229 5811	DC Motor - 50W	67- 27
C229 5812	Print Counter	11- 18
C229 5813	Switch	39- 18
C229 5814	DC Motor - 24V	21- 11
C229 5820	DC Motor - 20W	15- 5
C229 5820	DC Motor - 20W	47- 42

Part No.	Description	Page and Index No.
C229 5823	DC Motor - 20W	39- 3
C229 5825	Master Sensor	69- 30
C229 5825	Master Sensor	37- 14
C229 5828	Stepper Motor - DC 55W	17- 22
C229 5830	Release Solenoid	31- 18
C229 5840	Main Motor Gear	13- 11
C229 9000	Drive Adjustment Tool Kit	89- 1
C230 2198	Magnet Catch	65- 31
C230 2199	Magnet Catch Spacer	65- 36
C230 3621	Rear Upper Guide - Eject Roller	69- 40
C230 3622	Front Upper Guide - Eject Roller	69- 41
C231 4409	Support Plate	40- 37
C231 4413	Delivery Table Spring	40- 15
C231 4415	Upper Side Fence Pin	40- 19
C231 4420	Slider Spring Plate	40- 11
C232 1164	Bracket Dial Ass'y	33- 9
C232 1167	Pulley Ass'y	33- 8
C232 1170	Cover Dial Print	33- 7
C232 1354	Installation Sheet - Start Key	87- 13
C232 2003	Lower Tension Roller	63- 11
C232 2024	Gear - 16Z	65- 38
C232 2096	Front Left Release Plate	63- 29
C232 2097	Right Rear Release Plate	63- 25
C232 2098	Base Stopper Bracket	63- 23
C232 2841	Magnetic Guide Plate	21- 12
C232 3090	Feed Encoder Bracket	31- 19
C232 5351	Connector - 68POLE	81- 6
C232 5610	Outletsheet	75- 12
C232 5617	Lower Bracket	75- 13
C232 5618	Upper Bracket	73- 2
C232 5627	Bracket Circuit Board LED	11- 21
C232 5802	Circuit Board LED Ass'y	11- 22
C233 1011	Paper Delivery Hinge Ass'y	40- 47
C233 1035	Torque Limiter Drive Ass'y	13- 35
C233 1036	Torque Limiter Ass'y	13- 26

Part No.	Description	Page and Index No.
C233 1065	Screw M3x4	13- 34
C233 1074	Torque Limiter 55kgf·cm	13- 28
C233 1079	Shielded Sleeve - Torque Limiter	13- 32
C233 1090	Drum Drive Shaft Ass'y	13- 12
C233 1092	Timing Pulley - Drum Drive	15- 12
C233 1093	Hexagonal Set Screw - M4x20	15- 30
C233 1138	Drive Shaft	33- 37
C233 1290	Decal - Caption LED	87- 15
C233 1290	Decal - Caption LED	5- 7
C233 1295	Decal - Ink Supply	43- 32
C233 1295	Decal - Ink Supply	87- 6
C233 2042	Release Guide Plate	65- 10
C233 2157	Master Feed Roller	59- 12
C233 2162	Bushing	59- 30
C233 2215	Solenoid Cover	65- 30
C233 2491	Ink Sensor Shield	49- 23
C233 2493	Ink Sensor Terminal	49- 8
C233 2496	Ink Sensor Terminal - Center	49- 21
C233 2541	Drum Unit Frame	47- 45
C233 2616	Right Drum Lock Pin	11- 12
C233 2625	Drum Position Plate	11- 11
C233 2645	Rear Drum Frame Stand	43- 30
C233 3191	Joint Core	13- 13
C233 3270	Pressure Spring	31- 5
C233 3482	Tension Spring - Positioning Roller	69- 17
C233 3495	Master Eject Unit Seal - Upper	69- 37
C233 3496	Master Eject Roller Unit - Lower	69- 38
C233 3497	Master Eject Unit Seal	69- 39
C233 3559	Drive Joint Ass'y	67- 14
C233 3902	Discharge Brush - Adjusting Plate	37- 11
C233 4399	Delivery Table Front Stay	40- 33
C233 4400	Delivery Table Rear Stay	40- 32
C233 4405	Antistatic Brush	35- 13
C233 4409	Base Spacer - Paper Exit Sub-unit	40- 48
C233 4414	Pin - Lower Side Fence	40- 8

Part No.	Description	Page and Index No.
C233 4423	End Fence Sheet	40- 28
C233 4424	Pin - Lower End Fence	40- 34
C233 4426	Front Exit Guide	40- 10
C233 4427	Rear Exit Guide	40- 3
C233 4430	Antistatic Brush	40- 21
C233 4446	Adjusting Plate - Base	35- 11
C233 4655	Harness Cover Sheet	39- 26
C233 5150	Main Motor Control Board Ass'y	73- 14
C235 2769	Side Fence Pad Ass'y	19- 13
C235 2771	Side Fence Pad	19- 14
C235 2786	Right Side Fence Slider Ass'y	19- 17
C235 2791	Right Side Fence	19- 21
C235 2796	Left Side Fence Slider Ass'y	19- 7
C235 2802	Left Side Fence Ass'y	19- 16
C235 2804	Side Fence Grip	19- 5
C235 2812	Spacer - Magnet Catch	19- 9
C235 2813	Decal - Side Fence - Right	19- 39
C235 2814	Decal - Side Fence - Left	19- 6
C235 2815	Lock Lever - Right Side Fence	19- 18
C235 2816	Right Lock Lever Spring Plate Ass'y	19- 19
C235 2819	Lock Lever - Left Side Fence	19- 4
C235 2820	Left Lock Lever Spring Plate Ass'y	19- 11
C235 2832	Drum Stay - Paper Feed Ass'y	25- 19
C235 2898	Cover - Separation Sub-unit	25- 42
C235 3004	Press Drum Unit - Ass'y	29- 6
C235 4492	Right Front Paper Guide	35- 8
C235 4494	Right Rear Paper Guide	35- 21
C235 4495	Antistatic Brush	35- 22
C235 4497	Side Fence Spacer Shield Small	40- 49
C235 5160	Operation Panel Board	7- 18
C235 5236	Paper Size Harness Ass'y	19- 23
C235 5835	Power Supply Cord Ass'y	75- 16
C236 1079	Scanner Right Stay Ass'y	9- 20
C236 1655	Carriage No.1 Ass'y	55- 13
C236 1672	Xenon Lamp - 10	55- 1

Part No.	Description	Page and Index No.
C236 1673	Lens Ass'y	55- 11
C236 1719	Ground Plate - Scanner Unit	55- 15
C236 1812	Pulley - Slow Down Ass'y	57- 26
C236 1815	Stepper Motor Base	57- 28
C236 1816	Tension Spring 8215mn	57- 23
C236 1817	Motor Bracket	57- 25
C236 1821	Timing Belt - B60S2M140	57- 27
C236 1822	Timing Belt - B60S2M186	57- 20
C236 1825	Stepper Motor - Ass'y	57- 22
C236 1829	Slow Down Flange - MM15	57- 29
C236 1861	Left Guide Plate	9- 25
C236 1862	Hinge Spacer	9- 26
C236 1963	Plotter Rear Side Plate Ass'y	65- 18
C236 1976	Front Stopper	59- 13
C236 1983	Platen Stopper Ass'y	59- 14
C236 2002	Upper Tension Roller	63- 10
C236 2004	Compression Spring	63- 4
C236 2004	Compression Spring	59- 2
C236 2005	Roller Plate	63- 34
C236 2008	Upper Reverse Roller	63- 12
C236 2009	Lower Reverse Roller	65- 11
C236 2010	Lower Spacer - Reverse Roller	65- 12
C236 2011	Pulley - Upper Reverse Roller	63- 18
C236 2015	Tension Spring	65- 42
C236 2016	Guide Screw	65- 43
C236 2018	Timing Belt - B40S2M90	63- 16
C236 2019	Torque Limiter Gear - 0.15n M	63- 15
C236 2021	Slow Down Pulley	65- 16
C236 2022	Idler Gear - Platen	65- 14
C236 2023	Idler Gear - Pull Out Roller	65- 37
C236 2024	Idler Gear - Tension	65- 15
C236 2026	Spacer Plate - Gear Roller	63- 35
C236 2027	Idler Gear - Torque Limiter	65- 41
C236 2028	Supporting Plate - Plotter Drive	59- 32
C236 2031	Tension Bracket	65- 40

Part No.	Description	Page and Index No.
C236 2037	Lower Guide Myler	65- 48
C236 2038	Guide Plate Cover	65- 52
C236 2039	Rear Lower Guide Plate	65- 51
C236 2042	Rear Guide Plate Ass'y	65- 49
C236 2043	Lower Guide Mylar	65- 50
C236 2066	Right Duct Guide Plate	65- 25
C236 2068	Lower Duct Case Ass'y	65- 1
C236 2078	Discharge Brush - Lower Duct	65- 4
C236 2080	Platen Roller Ass'y	63- 8
C236 2082	Platen Gear	63- 31
C236 2087	Thermal Head Stay	63- 26
C236 2093	Compression Spring - 6.9n	63- 27
C236 2094	Compression Spring - 5.0n	63- 6
C236 2095	Tension Spring - Thermal Head	63- 24
C236 2109	Pressure Release Bracket	61- 17
C236 2119	Left Front Guide Plate	63- 21
C236 2120	Thermal Head Spacer	63- 22
C236 2137	Thermal Head Master Guide	61- 27
C236 2165	Front Pin - Operation Panel	59- 28
C236 2170	Rear Pin - Operation Panel	59- 17
C236 2183	Rear Flange	59- 18
C236 2186	Rear Master Flange - P1	59- 31
C236 2190	Master Pressure Spring	59- 23
C236 2196	Front Flange Ass'y	59- 22
C236 2198	Front Master Flange	59- 34
C236 2222	Timing Belt - B106MXL9.5	65- 17
C236 2226	Reverse Motor Bracket	63- 13
C236 2232	Harness Guide	61- 14
C236 2234	Positioning Sensor Bracket	61- 15
C236 2235	Rear Harness Cover	61- 28
C236 2262	Sensor Stay	25- 3
C236 2265	Sensor Bracket	25- 2
C236 2305	Oil Supply Roller Ass'y	51- 34
C236 2316	Shield Screen Ass'y	45- 5
C236 2351	Front Side Plate Ass'y	43- 11

Part No.	Description	Page and Index No.
C236 2353	Front Bracket - Magnet Catch	43- 16
C236 2359	Connector Slider	43- 10
C236 2360	Connector Bracket	43- 9
C236 2365	Switch Lever Bracket	43- 7
C236 2367	Switch Lever	43- 4
C236 2370	Lever Collar	43- 33
C236 2420	Front Outer Flange - S	45- 1
C236 2461	Front Side Plate	51- 24
C236 2462	Rear Side Plate	51- 25
C236 2464	Side Plate Stay	51- 13
C236 2465	Ground Plate - Ink Roller	51- 21
C236 2466	Middle Drive Gear	51- 15
C236 2479	Rear Screen Stay	45- 2
C236 2491	Drum Metal Screen Sub Ass'y	45- 8
C236 2493	Drum Metal Screen Shield Sub Ass'y	45- 4
C236 2495	Drum Metal Screen Ass'y - DLT	45- 8
C236 2496	Drum Metal Screen Shield - DLT	45- 4
C236 2498	Drum Metal Screen Shield	45- 25
C236 2501	Drum Pump Ass'y	47- 29
C236 2540	Oil Supply Roller Ass'y	51- 14
C236 2543	Idling Roller Arm-front	51- 9
C236 2544	Idling Roler Arm-rear	51- 17
C236 2558	Blade Bracket	51- 30
C236 2559	Blade Stay	51- 31
C236 2560	Oil Blade	51- 32
C236 2561	Ink Shield	51- 33
C236 2562	Front Spring	51- 26
C236 2563	Rear Spring	51- 27
C236 2564	Worm Wheel Gear	51- 28
C236 2565	Ink Middle Gear	51- 29
C236 2566	Return Gear	51- 11
C236 2567	Arm Shaft	51- 10
C236 2590	Clamper Ass'y	45- 21
C236 2591	Clamper Base	45- 23
C236 2595	Clamp Protection	45- 20



Part No.	Description	Page and Index No.
C236 2596	Clamp Spring	45- 19
C236 2608	Switch Arm	43- 26
C236 2611	Rail	9- 18
C236 2620	Drum Left Bracket	11- 10
C236 2840	Guide Rail Base	25- 30
C236 2844	Stepped Screw	25- 29
C236 2845	Upper Pressure Plate Ass'y	25- 44
C236 2847	Upper Pressure Plate	25- 28
C236 2848	Slider Bushing	25- 25
C236 2850	Magnetic	25- 41
C236 2851	Upper Slider	25- 26
C236 2852	Upper Guide Pin	25- 27
C236 2855	Lower Pressure Plate	25- 23
C236 2858	Compression Spring	25- 24
C236 2860	Separation Rack Ass'y	25- 21
C236 2862	Gear - 32Z/14Z	25- 40
C236 2863	Gear - 24Z	25- 16
C236 2864	Worm Wheel - Gear	25- 39
C236 2865	Worm Wheel - Gear	25- 14
C236 2866	Rubber Washer	25- 15
C236 2867	Compression Spring	25- 17
C236 2871	Motor Bracket	25- 20
C236 2875	Motor Bracket	25- 12
C236 2879	Sensor Bracket	25- 38
C236 2880	Separation Pad Holder Bracket	25- 35
C236 2886	Separation Pad - A Ass'y	25- 31
C236 2895	Separation Pad - B Ass'y	25- 32
C236 2905	Feed Roller-upper	27- 8
C236 2927	Paper Feed Guide Plate Ass'y	27- 29
C236 2941	Bracket - Master Sensor	27- 6
C236 2998	Tension Spring 18N	17- 23
C236 3005	Drum Clamp Ass'y	29- 22
C236 3084	Spacer0.3	29- 23
C236 3125	Cam Shaft Ass'y	33- 24
C236 3230	Large Clamp Cam Ass'y	31- 10

Part No.	Description	Page and Index No.
C236 3234	Clamp Sttoper Pawl	29- 17
C236 3237	Collar 6x11.2x1.5	29- 8
C236 3238	Collar 6x8x12.5	29- 20
C236 3239	Cushion - Clamp	29- 7
C236 3244	Clamper Spring	29- 19
C236 3245	Clamper Shaft	29- 18
C236 3247	Clamper Exit Pawl	29- 13
C236 3248	Slider Exit Pawl	29- 11
C236 3249	Tension Spring - 2n	29- 12
C236 3251	Exit Pawl Shaft	29- 14
C236 3252	Exit Pawl Drive Guide	29- 16
C236 3256	Clamper Arm Ass'y	29- 9
C236 3259	Ball Bearing-5x11x4	29- 24
C236 3261	Arm Ass'y	29- 10
C236 3264	Clamper Base	29- 21
C236 3269	Small Clamp Cam	31- 25
C236 3301	Air Knife Base	35- 2
C236 3302	Air Knife Duct	35- 1
C236 3401	Side Plate - Master Ejection	67- 28
C236 3474	Roller Unit Rock Arm	69- 11
C236 3485	Upper Slide Rail	69- 12
C236 3501	Eject Box Slider	71- 9
C236 3523	Eject Box Lock Arm	71- 6
C236 3524	Eject Box Lock Lever	71- 2
C236 3525	Release Spring	71- 28
C236 3570	Upper Stay	9- 16
C236 3942	Pickoff Pawl - Scraper	37- 10
C236 3978	Exit Pawl	9- 7
C236 4004	Vacuum Unit Ass'y	37- 29
C236 4650	Assortment Ass'y	39- 25
C236 5115	I/O Control Board Ass'y	85- *
C236 5115	I/O Control Board Ass'y	73- 7
C236 5124	IC - I/O Control	85- 1
C236 5124	IC - I/O CONTROL	73- 9
C236 5157	Paper Feed Control Board	25- 13

Part No.	Description	Page and Index No.
C236 5180	Thermal Head - A3	63- 20
C236 5206	Paper Feed Pressure Harness	23- 16
C236 5208	Ink Sensor Relay Harness	25- 33
C236 5209	Sbu Harness	55- 12
C236 5212	Ink Sensor Harness	43- 8
C236 5214	Drum Unit Harness	49- 15
C236 5216	Main Switch Harness	73- 13
C236 5216	Main Switch Harness	11- 3
C236 5220	Scanner Harness	55- 10
C236 5222	Vacuum Unit Harness	37- 16
C236 5224	Drum H.P Harness	33- 32
C236 5226	Feed Encoder Harness	31- 20
C236 5228	Relay Harness - Master Eject Unit	67- 7
C236 5232	Encoder Harness	15- 23
C236 5232	Encoder Harness	27- 17
C236 5234	Air Knife Harness	35- 3
C236 5238	Separation Harness	25- 36
C236 5240	Feed Harness	27- 15
C236 5262	Change Harness	33- 23
C236 5269	Assortment Sensor Harness	39- 2
C236 5270	Assortment Harness	39- 23
C236 5274	ADF Relay Harness	75- 9
C236 5353	IC - GATC LC27047C-RJ0	81- 7
C236 5626	Upper Bracket - MPU Board	75- 3
C236 5671	HDD Stay	73- 11
C236 5673	HDD Ground Plate	15- 29
C236 5673	HDD Ground Plate	73- 16
C236 5679	HDD Base	73- 17
C236 5731	Paper Feed Motor Bracket	17- 20
C236 5733	Harness Cover	23- 2
C236 5802	Stepper Motor - MM50x40	65- 21
C236 5808	Stepper Motor Ass'y	63- 14
C236 5824	Fan Motor - DC24V 0.85A	35- 5
C236 5825	Sensor	27- 4
C238 1359	Decal - Paper Table	87- 14

Part No.	Description	Page and Index No.
C238 4390	Paper Exit Base	40- 27
C238 4395	Front Lower Guide	40- 30
C238 4396	Rear Lower Guide	40- 20
C238 4406	End Plate Knob	40- 23
C238 4411	Front Side Fence	40- 13
C238 4412	Rear Side Fence	40- 1
C238 4413	Side Fence Base	40- 14
C238 4415	Front Wing	40- 9
C238 4416	Rear Wing	40- 2
C238 4417	Wing Stopper	40- 4
C238 4421	Slider Cover	40- 12
C238 4422	End Fence Case	40- 22
C238 4425	Wing Link	40- 7
C238 4456	Slider Cover	40- 46
C239 1253	Door Cover	3- 1
C239 1265	Lower Panel Cover	5- 5
C239 1266	Front Right Cover Ass'y	3- 20
C239 1270	Rear Right Cover	3- 19
C239 1274	Rear Cover Ass'y	3- 24
C239 1276	Left Cover	3- 11
C239 1280	Rear Cover	3- 16
C239 1290	Control Board Guard Cap	3- 15
C239 1291	Interface Control Board Cap	3- 14
C239 1292	Drum Exit Stay Ass'y	35- 12
C239 1293	Paper Bank Connector Cap	3- 25
C239 1295	Upper Rear Cover	3- 13
C239 1296	Right Scanner Cover	3- 18
C239 1297	Left Scanner Cover	3- 12
C239 1354	Decal Paper Feed	3- 23
C239 1354	Decal - Paper Feed	87- 12
C239 1356	Decal- Cylinder Operation	5- 3
C239 1472	Cover Behind	7- 4
C239 1473	Operation Panel Lower Case	7- 1
C239 1481	Key - Top Stop	7- 16
C239 1482	Key - Top Start	7- 14

Part No.	Description	Page and Index No.
C239 1484	Key - Top 10 Key	7- 9
C239 1485	Key - Top Contenance	7- 12
C239 1486	Key - Top Clear Modes	7- 11
C239 1487	Key - Top Block Diagram	7- 10
C239 1488	Key - Top Initialize	7- 6
C239 1489	Key - Top Display Monitor	7- 8
C239 1490	Key - Top Behind	7- 5
C239 1978	Decal - Master Removal	59- 26
C239 1978	Decal - Master Removal	87- 7
C239 1985	Master Unit Stay	61- 5
C239 1993	Rear Plotter Slide Rail Spacer	65- 23
C239 1994	Plotter Slide Rail Screw	65- 27
C239 1994	Plotter Slide Rail Screw	63- 1
C239 2064	Lower Duct Cover	65- 2
C239 2066	Duct Cover Grip	65- 45
C239 2067	Duct Cover Magnet	65- 3
C239 2100	Duct Sensor Bracket	65- 46
C239 2132	Plotter Cover	59- 19
C239 2137	Master Upper Guide Plate	61- 30
C239 2138	Decal - Master Set	87- 9
C239 2138	Decal - Master Set	59- 5
C239 2150	Master Roller Bracket	59- 4
C239 2151	Master Feed Roller Stay	59- 11
C239 2161	Master Stopper Bracket	61- 4
C239 2162	Master Stopper Arm	61- 29
C239 2252	Master Sensor Bracket	61- 25
C239 2266	Optics Sensor Cover	25- 43
C239 2267	Paper Tray Holder	25- 7
C239 2275	Plotter Slide Rail	65- 22
C239 2275	Plotter Slide Rail	63- 2
C239 2276	Plotter Front Slide Rail Spacer	9- 24
C239 2277	Plotter Rear Slide Rail Bracket	9- 23
C239 2454	Cap - Paper Bank	3- 2
C239 2455	Key Counter Cover	5- 13
C239 2756	Paper Feed Unit Upper Stay	21- 8

Part No.	Description	Page and Index No.
C239 2766	Upper Shield Plate	5- 14
C239 2820	Paper Feed Guide Plate Cover	21- 32
C239 2915	Upper Feed Roller Guide Plate	27- 26
C239 2922	Upper Feed Roller Guide Plate Ass'y	27- 18
C239 2925	Double Feed Sensor Upper Bracket	27- 33
C239 2927	Lower Feed Roller Guide Plate	27- 20
C239 2929	Cable Bracket	27- 30
C239 2935	Master Optics Sensor Bracket Ass'y	27- 3
C239 2937	Pressure Release Cam	17- 16
C239 2951	Decal - Paper Size	19- 20
C239 2951	Decal - Paper Size	87- 2
C239 3008	Separation Unit Ass'y	35- 19
C239 3303	Exit Cover	35- 4
C239 3400	Master Eject Roller Ass'y	69- 34
C239 3401	Master Eject Box Ass'y	71- 27
C239 3454	Separation Roller	69- 27
C239 3528	Decal - Master Eject Box	71- 26
C239 3857	Left Support Cover	35- 6
C239 3858	Right Support Cover	35- 14
C239 4052	Sector Gear	17- 6
C239 4401	Front Exit Bracket	35- 24
C239 4401	Front Exit Bracket	40- 18
C239 4404	Rear Exit Bracket	40- 16
C239 4404	Rear Exit Bracket	35- 23
C239 4491	Paper Guide - Front	35- 10
C239 4492	Paper Guide - Rear	35- 9
C239 4673	Separator Cover	35- 17
C239 5200	DC Drive Harness	73- 10
C239 5210	Plotter Relay Harness	25- 10
C239 5210	Plotter Relay Harness	73- 19
C239 5300	DC Power Supply Ass'y - 225W	73- 12
C239 5610	PCB Bracket	73- 4
C239 5734	Grip Cover Sheet	23- 33
C239 5825	Photosensor	27- 32
C239 5829	Master Duct Sensor	61- 8

Part No.	Description	Page and Index No.
C239 5829	Master Duct Sensor	65- 47
C239 5831	Optics Sensor - EE-SF5-B	25- 1
C240 2775	Paper Tray - Sub	19- 35
C403 1899	Rubber Bushing - M4	17- 19
C522 2435	Screw - M3	63- 33
C593 3120	Magnet Catch Screw M3x6	49- 24
C593 4100	Vacuum Plate	37- 6
C593 4101	Antistatic Brush	37- 17
C593 4102	Transport Belt Case	37- 2
C593 4103	Transport Belt Shaft	37- 27
C593 4104	Transport Belt Roller	37- 26
C593 4105	Center Roller - Delivery Table	37- 4
C593 4106	Front Vacuum Plate	37- 5
C593 4107	Rear Vacuum Plate	37- 7
C593 4108	Wing Position Sensor Bracket	37- 20
C593 4109	Transport Belt Drive Shaft	37- 9
C593 4111	Tapping Screw	37- 19
C593 4112	Grounding Plate	37- 15
C593 4113	Grounding Plate	37- 28
C593 4201	Side Fence Spacer Shield	40- 50
C593 5824	Fan - DC24V 0.9A	37- 21
C604 4203	End Fence Ass'y	40- 38
C604 4410	End Plate Bracket	40- 24
C604 4413	Spacer - End Plate	40- 40
C604 4414	Cover - End Plate	40- 41
C604 4415	Sheet - End Plate	40- 25
C604 4416	Adjusting Screw	40- 42
C604 4420	Side Fence Spacer - Front	40- 45
C604 4421	Side Fence Spacer - Rear	40- 43
C604 4422	Exit Table Cover	40- 44
C604 4423	Spring Plate	40- 6
C604 4432	Cushion End Plate	40- 39
C604 4440	Remover/Install - Exit Front	40- 17
C604 4450	Remover/Install - Exit Rear	40- 31
C604 4453	Knob Screw	40- 36

Part No.	Description	Page and Index No.
C605 2491	Drum Metal Screen Ass'y - A4	45- 8
C605 2493	Drum Metal Screen Shield - A4	45- 4
C611 5510	Double Feed Sensor Board	75- 5
C611 5680	Double Feed Sensor Bracket	75- 4
G011 3305	Gear - 16T	19- 33
H012 1181	Bushing- 6mm	61- 12
H012 1181	Bushing- 6mm	63- 9
H522 1100	Sensor Guide	33- 46

Part No.	Description	Page and Index No.
AA05 0107	Scanner Wire	57- 17
AA06 3163	Connector Spring	67- 6
AA06 3163	Connector Spring	25- 9
AA13 2080	Spacer - Cleaning Brush	43- 5
AA13 2115	Collar - Cam Follower	29- 15
AA14 3005	Stepped Screw - M4x2.5	11- 7
AA14 3062	Shoulder Screw - M4	31- 15
AA14 3120	Stepped Screw - M3x3	25- 8
AA14 3120	Stepped Screw - M3x3	67- 8
AA14 3718	Stepped Screw - M4	33- 14
AB03 0630	Timing Pulley - 60T	57- 12
AB03 2066	Front Pulley - Wire Drive	57- 18
AB03 2067	Rear Pulley - Wire Drive	57- 21
AC03 0123	3rd Mirror	57- 10
AG07 1009	Rotary Catch	11- 1
AG07 1010	Magnet Catch	11- 6
AW02 0075	Photointerruptor	61- 16
AW02 0075	Photointerruptor	67- 9
AW02 0075	Photointerruptor	49- 13
AW02 0075	Photointerruptor	47- 30
AW02 0075	Photointerruptor	37- 18
AW02 0075	Photointerruptor	39- 6
AW02 0075	Photointerruptor	33- 44
AW02 0075	Photointerruptor	33- 17
AW02 0075	Photointerruptor	25- 37
AW02 0075	Photointerruptor	23- 23
AW02 0075	Photointerruptor	21- 26
AW02 0075	Photointerruptor	17- 9
AW02 0075	Photointerruptor	15- 17
AW02 0086	Photointerruptor	53- 4
AW10 0022	Optics Thermistor	49- 22
AW50 0012	Push Switch	49- 5
AW50 0012	Push Switch	25- 6
AW50 0012	Push Switch	67- 22
AX31 0024	Total Counter	11- 19

Part No.	Description	Page and Index No.
0241 6060B	Screw - M1.6X6	39-114
0242 0080Z	Screw - M2X8	69-106
0252 0080B	Screw - M2X8	37-106
0312 5050Z	Philips Pan Head Screw - M2.5x5	51-106
0313 0040Z	Philips Pan Head Screw - M3x4	51-102
0313 0050B	Philips Pan Head Screw - M3x5	57-104
0313 0060B	Philips Pan Head Screw - M3x6	33-109
0313 0060B	Philips Pan Head Screw - M3x6	73-102
0313 0060B	Philips Pan Head Screw - M3x6	25-105
0313 0080B	Philips Pan Head Screw - M3x8	65-102
0313 0080B	Philips Pan Head Screw - M3x8	69-105
0313 0120B	Philips Pan Head Screw - M3x12	13-111
0313 0350B	Philips Pan Head Screw - M3x35	11-106
0314 0060Z	Philips Pan Head Screw - M4x6	47-112
0314 0060Z	Philips Pan Head Screw - M4x6	51-105
0314 0080Z	Philips Screw - 4x8	45-108
0314 0080Z	Philips Screw - 4x8	51-111
0314 0120Z	Philips Screw - 4x12	47-101
0314 0160B	Philips Pan Head Screw - M4x16	13-103
0314 0350Z	Screw - M4X35	35-104
0323 0060Z	Philips Sunk Screw - M3x6	51-101
0323 0100Z	Philips Sunken Head Screw - M3x10	5-108
0323 0100Z	Philips Sunken Head Screw - M3x10	75-101
0324 0140B	Philips Sunken Head Screw - M4x14	59-105
0352 0080B	Screw M2.5x8	25-102
0352 0080B	Screw M2.5x8	61-103
0352 0080B	Screw M2.5x8	27-107
0352 5040B	Bind Screw - M2.5x4	39-107
0353 0040B	Screw - M3x4	49-101
0353 0040B	Screw - M3X4	31-109
0353 0040B	Screw - M3X4	15-109
0353 0040B	Screw - M3X4	47-106
0353 0040B	Screw - M3X4	37-110
0353 0040B	Screw - M3X4	47-103
0353 0040B	Screw - M3X4	33-106

Part No.	Description	Page and Index No.
0353 0040B	Screw - M3X4	67-105
0353 0040B	Screw - M3X4	63-108
0353 0040B	Screw - M3X4	61-105
0353 0040B	Screw - M3X4	21-107
0353 0040B	Screw - M3X4	25-106
0353 0040B	Screw - M3X4	65-113
0353 0040B	Screw - M3X4	21-104
0353 0040B	Screw - M3X4	23-105
0353 0040B	Screw - M3X4	17-104
0353 0040B	Screw - M3X4	51-107
0353 0040Z	Binding Head Screw M3x4 (100pcs)	9-110
0353 0040Z	Binding Head Screw M3x4 (100pcs)	5-106
0353 0050B	Philips Truss Head Screw - M3x5	11-103
0353 0050B	Philips Truss Head Screw - M3x5	27-115
0353 0050B	Philips Truss Head Screw - M3x5	63-111
0353 0050B	Philips Truss Head Screw - M3x5	39-105
0353 0050Z	Philips Truss Head Screw - M3x5	53-102
0353 0060B	Philips Pan Head Screw - M3x6	29-103
0353 0060B	Philips Pan Head Screw - M3x6	19-108
0353 0060B	Philips Pan Head Screw - M3x6	63-109
0353 0060B	Philips Pan Head Screw - M3x6	61-102
0353 0060Z	Screw - M3X6	43-109
0353 0060Z	Screw - M3X6	45-102
0353 0060Z	Screw - M3X6	65-114
0353 0060Z	Screw - M3X6	63-105
0353 0080B	Screw - M3X8	31-110
0353 0100Z	Bind Screw - M3x10	45-105
0353 0350B	Philips Pan Head Screw - M3x35	65-112
0354 0040Z	Screw - M4X4	45-103
0354 0040Z	Screw - M4X4	49-110
0354 0050B	Bind Screw - M4x5	21-101
0354 0060B	Screw - M4X6	33-105
0354 0060B	Screw - M4X6	59-106
0354 0060B	Screw - M4X6	27-109
0354 0060B	Screw - M4X6	65-103

Part No.	Description	Page and Index No.
0354 0060Z	Philips Truss Head Screw - M4x6	45-101
0354 0080B	Screw - M4X8	33-114
0354 0080B	Screw - M4X8	23-111
0354 0140B	Screw - M4X14	17-110
0450 3006B	Tapping Screw - M3x6	19-107
0450 3006B	Tapping Screw - M3x6	39-113
0450 3008B	Tapping Screw - M3x8	47-102
0450 3008B	Tapping Screw - M3x8	71-103
0450 3008B	Tapping Screw - M3x8	61-107
0450 3008H	Tapping Screw - M3x8	3-103
0450 3008W	Philips Tapping Screw - M3x8	5-102
0450 3012B	Tapping Screw - 3x12	40-102
0450 4006B	Tapping Screw - 4x6	23-104
0450 4008B	Tapping Screw - 4x8	37-101
0450 4008B	Tapping Screw - 4x8	31-105
0450 4008B	Tapping Screw - 4x8	3-101
0450 4008B	Tapping Screw - 4x8	40-107
0450 4008B	Tapping Screw - 4x8	49-105
0450 4010B	Tapping Screw - 4x10	3-102
0450 4010B	Tapping Screw - 4x10	17-108
0450 4025B	Tapping Screw With Washer - M4x25	21-110
0451 3006B	Tapping Screw - M3x6	53-101
0451 3006B	Tapping Screw - M3x6	61-101
0451 3006B	Tapping Screw - M3x6	9-104
0451 3006B	Tapping Screw - M3x6	55-105
0451 3006B	Tapping Screw - M3x6	57-101
0451 3006B	Tapping Screw - M3x6	67-103
0451 3006B	Tapping Screw - M3x6	15-110
0451 3006B	Tapping Screw - M3x6	25-103
0451 3006B	Tapping Screw - M3x6	63-101
0451 3006B	Tapping Screw - M3x6	27-103
0451 3006B	Tapping Screw - M3x6	59-103
0451 3006B	Tapping Screw - M3x6	11-111
0451 3006B	Tapping Screw - M3x6	69-102
0451 3006B	Tapping Screw - M3x6	71-104

Part No.	Description	Page and Index No.
0451 3006B	Tapping Screw - M3x6	73-101
0451 3006B	Tapping Screw - M3x6	11-109
0451 3006B	Tapping Screw - M3x6	5-105
0451 3006B	Tapping Screw - M3x6	31-103
0451 3006B	Tapping Screw - M3x6	17-102
0451 3006B	Tapping Screw - M3x6	39-101
0451 3006B	Tapping Screw - M3x6	21-105
0451 3006B	Tapping Screw - M3x6	75-105
0451 3006B	Tapping Screw - M3x6	65-101
0451 3006H	Tapping Screw - 3x6	35-105
0451 3008B	Tapping Screw - M3x8	39-111
0451 3008B	Tapping Screw - M3x8	59-104
0451 3008B	Tapping Screw - M3x8	57-103
0451 3008B	Tapping Screw - M3x8	40-103
0451 3008B	Tapping Screw - M3x8	53-104
0451 3008H	Tapping Screw - M3x8	3-107
0451 4006B	Tapping Screw - 4x6	15-101
0451 4006B	Tapping Screw - 4x6	31-101
0451 4006B	Tapping Screw - 4x6	13-107
0451 4006B	Tapping Screw - 4x6	33-101
0451 4006B	Tapping Screw - 4x6	37-111
0451 4006B	Tapping Screw - 4x6	69-104
0451 4006B	Tapping Screw - 4x6	75-102
0451 4006B	Tapping Screw - 4x6	11-104
0451 4006B	Tapping Screw - 4x6	27-105
0451 4006B	Tapping Screw - 4x6	39-104
0451 4006B	Tapping Screw - 4x6	19-101
0451 4006B	Tapping Screw - 4x6	21-102
0451 4006B	Tapping Screw - 4x6	40-106
0451 4006B	Tapping Screw - 4x6	9-103
0451 4006B	Tapping Screw - 4x6	25-101
0451 4006B	Tapping Screw - 4x6	17-105
0451 4006B	Tapping Screw - 4x6	67-106
0451 4006B	Tapping Screw - 4x6	5-104
0451 4006B	Tapping Screw - 4x6	23-101

Part No.	Description	Page and Index No.
0451 4006B	Tapping Screw - 4x6	73-109
0451 4006H	Tapping Screw - M4x6	59-107
0451 4006H	Tapping Screw - M4x6	35-103
0451 4006H	Tapping Screw - M4x6	3-108
0451 4006H	Tapping Screw - M4x6	40-105
0451 4008B	Philips Tapping Screw - M4x8	11-108
0451 4008B	Philips Tapping Screw - M4x8	65-106
0451 4008B	Philips Tapping Screw - M4x8	3-105
0451 4008B	Philips Tapping Screw - M4x8	71-101
0451 4008B	Philips Tapping Screw - M4x8	27-113
0451 4008B	Philips Tapping Screw - M4x8	29-102
0451 4008B	Philips Tapping Screw - M4x8	13-113
0451 4008H	Tapping Screw - 4x8	35-107
0451 4008H	Tapping Screw - 4x8	3-109
0451 4008H	Tapping Screw - 4x8	5-103
0451 4010B	Tapping Screw - 4x10	3-106
0451 4010B	Tapping Screw - 4x10	31-107
0451 4010B	Tapping Screw - 4x10	9-101
0452 3006B	Tapping Screw - M3x6	19-102
0452 3006B	Tapping Screw - M3x6	37-105
0452 3008H	Binding Self-tapping Screw - 3x8	40-101
0452 3008Z	Bind Tapping Screw - M3x8	19-104
0453 3006B	Tapping Screw - M3x6	19-103
0453 3006B	Tapping Screw - M3x6	27-112
0453 3006B	Tapping Screw - M3x6	3-104
0453 3010B	Binding Self Tapping Screw - M3x10	65-108
0453 3014B	Tapping Screw - M3x14	55-101
0453 4006B	Tapping Screw - 4x6	35-102
0453 4006H	Tapping Screw - M4x6	5-107
0453 4006H	Tapping Screw - M4x6	33-111
0453 4008Z	Tapping Screw - M4x8	19-106
0453 4010B	Tapping Bind Screw - M4X10	29-105
0573 0040E	Hexagon Headless Set Screw - M3x4	15-107
0574 0040E	Hexagon Headless Set Screw - M4x4	65-107
0574 0040E	Hexagon Headless Set Screw - M4x4	33-112

Part No.	Description	Page and Index No.
0574 0040E	Hexagon Headless Set Screw - M4x4	63-106
0574 0040E	Hexagon Headless Set Screw - M4x4	47-107
0574 0040E	Hexagon Headless Set Screw - M4x4	17-109
0574 0040E	Hexagon Headless Set Screw - M4x4	45-109
0574 0040E	Hexagon Headless Set Screw - M4x4	27-111
0574 0040E	Hexagon Headless Set Screw - M4x4	51-103
0574 0050E	Hexagon Headless Set Screw - M4x5	33-104
0575 0050E	Hexagon Headless Set Screw - M5x5	57-102
0586 0451Z	Hexagon Bolt - M6x45	31-104
0594 0100Z	Bolt - M4x10	45-110
0595 0080E	Hexagon Bolt - M5x8	13-101
0622 0100E	Spring Pin - 2x10mm	63-103
0623 0120E	Spring Pin - M3x12	65-115
0623 0120E	Spring Pin - M3x12	37-107
0623 0140E	Spring Pin - 3x14mm	31-108
0633 0140G	Parallel Pin - 3x14	23-102
0701 0030Z	Flat Washer - M3	65-117
0701 0080Z	Flat Washer - M8	19-105
0710 0040B	Hexagon Nut - M4	13-102
0720 0020E	Retaining Ring - M2	35-106
0720 0020E	Retaining Ring - M2	39-106
0720 0030E	Retaining Ring - M3	65-116
0720 0030E	Retaining Ring - M3	11-110
0720 0030E	Retaining Ring - M3	59-102
0720 0030E	Retaining Ring - M3	39-102
0720 0030Z	Retaining Ring - M3	40-104
0720 0030Z	Retaining Ring - M3	29-104
0720 0040E	Retaining Ring - M4	63-102
0720 0040E	Retaining Ring - M4	31-102
0720 0040E	Retaining Ring - M4	33-107
0720 0040E	Retaining Ring - M4	65-105
0720 0040E	Retaining Ring - M4	69-101
0720 0040E	Retaining Ring - M4	15-108
0720 0040E	Retaining Ring - M4	43-111
0720 0040E	Retaining Ring - M4	37-104

Part No.	Description	Page and Index No.
0720 0040E	Retaining Ring - M4	67-102
0720 0040E	Retaining Ring - M4	71-102
0720 0040E	Retaining Ring - M4	27-106
0720 0040E	Retaining Ring - M4	29-106
0720 0040E	Retaining Ring - M4	59-101
0720 0040E	Retaining Ring - M4	39-108
0720 0040E	Retaining Ring - M4	9-108
0720 0040E	Retaining Ring - M4	61-104
0720 0050Z	Retaining Ring - M5	47-105
0720 0050Z	Retaining Ring - M5	43-112
0720 0050Z	Retaining Ring - M5	23-112
0720 0050Z	Retaining Ring - M5	21-103
0720 0050Z	Retaining Ring - M5	49-106
0720 0060E	Retaining Ring - M6	13-106
0720 0060E	Retaining Ring - M6	23-103
0720 0060E	Retaining Ring - M6	27-101
0720 0060E	Retaining Ring - M6	9-105
0720 0060E	Retaining Ring - M6	17-101
0720 0060E	Retaining Ring - M6	25-104
0720 0060E	Retaining Ring - M6	15-103
0720 0060E	Retaining Ring - M6	33-102
0720 0080E	Retaining Ring - M8	13-105
0720 0080E	Retaining Ring - M8	15-102
0720 0080E	Retaining Ring - M8	33-103
0720 0080E	Retaining Ring - M8	37-102
0720 0080E	Retaining Ring - M8	29-101
0720 0080Z	Retaining Ring - M8	51-108
0725 0160E	Retaining Ring C - M16	51-109
0740 3008	Ball Bearing - 8x22x7	27-104
0740 3010	Ball Bearing - 10x26x8mm	37-103
0740 3206	Ball Bearing - 6x19x6	49-107
0741 3706	Ball Bearing - 6x10x3	63-107
0741 3706	Ball Bearing - 6x10x3	65-118
0741 3706	Ball Bearing - 6x10x3	27-110
0801 0103	Screw - M4X8	43-113



Part No.	Description	Page and Index No.
0801 0150	Philips Screw - M4x8	75-106
0801 1004	Screw - M4X4	25-108
0801 1004	Screw - M4X4	9-102
0802 5276	Tapping Screw With Washer - M3x6	53-103
0802 5276	Tapping Screw With Washer - M3x6	55-102
0804 6058	Knob Screw	5-101
0805 3134	Ball Bearing - 10x26x8mm	15-105
0805 3205	Ball Bearing - 10x19x7mm	13-109
0805 3205	Ball Bearing - 10x19x7mm	33-113
0805 3368	Ball Bearing - 8x16x5mm	23-109
0805 3385	Bushing - 6mm	69-103
0805 3385	Bushing - 6mm	67-101
0805 3386	Bushing - 8mm	27-102
0805 3444	Ball Bearing - 25x37x7	13-112
0807 3033	Washer - M4.5	13-114
0807 5037	Washer - 8.1mm	23-110
0807 5044	Spacer - 8.1mm X 11.5mm X 0.2	25-107
0807 7013	Spacer - 10.2x14x0.2 mm	37-108
0807 7114	Washer - 16x24x0.3mm	45-104
0807 7114	Washer - 16x24x0.3mm	51-110
0951 3006Z	Philips Screw With Flat Washer - M3	43-102
0951 3006Z	Philips Screw With Flat Washer - M3	47-104
0951 3006Z	Philips Screw With Flat Washer - M3	57-105
0951 3006Z	Philips Screw With Flat Washer - M3	49-109
0951 3006Z	Philips Screw With Flat Washer - M3	9-106
0951 3006Z	Philips Screw With Flat Washer - M3	51-104
0951 3008Z	Philips Screw With Flat Washer - M3	43-103
0951 4006Z	Philips Screw With Flat Washer - M4	43-101
0951 4006Z	Philips Screw With Flat Washer - M4	45-106
0951 4006Z	Philips Screw With Flat Washer - M4	47-110
0951 4006Z	Philips Screw With Flat Washer - M4	49-102
0951 4008B	Philips Screw With Washer - M4x8	13-108
0951 4008Z	Philips Screw With Flat Washer - M4x8	43-104
0951 4008Z	Philips Screw With Flat Washer - M4x8	45-107
0951 4008Z	Philips Screw With Flat Washer - M4x8	47-109

Part No.	Description	Page and Index No.
0951 4008Z	Philips Screw With Flat Washer - M4x8	49-104
1100 1474	Test Pin	85-101
1100 1474	Test Pin	81-101
1102 3822	Connector - 20P	85-102
1102 4203	CT Header - 4P	81-102
1102 4203	CT Header - 4P	85-103
1102 4205	CT Header - 6P	85-104
1102 4211	CT Header - 12P	85-105
1102 4684	Connector - 5566-06R-210	85-106
1102 5003	Fiber Connector - DC1002 - 2P	85-107
1102 5305	Connector - 6P	85-108
1102 5413	Connector - 28P	81-103
1102 5414	Connector - 30P	85-109
1102 6396	Connector - 1P	85-110
1102 6594	Connector - 10P	85-111
1102 6595	Connector - 11P	85-112
1102 6662	Connector - 4P	81-104
1102 7445	Connector - 46P	75-109
1102 7690	Connector - WR-120P-VF60-1	81-105
1102 7851	Connector - B20B	85-113
1102 8063	Connector - 54373-0600	81-106
1102 8085	Connector - FX2CA2-120P-1.27DSAL	85-114
1102 8086	Connector - FX2-120S-1.27SVL	81-107
1102 8397	Connector - B07B-CZHK-B-1	85-115
1102 8408	Connector - B24B-CZW HK-B-1	85-116
1102 8410	Connector - B28B-CZW HK-B-1	85-117
1102 8410	Connector - B28B-CZW HK-B-1	81-108
1102 8411	Connector - B32B-CZW HK-B-1	81-109
1102 8592	Connector - B09B-CZHK-B-1	81-110
1102 8593	Connector - B11B-CZHK-B-1	81-111
1102 8593	Connector - B11B-CZHK-B-1	85-118
1102 8594	Connector - B15B-CZHK-B-1	81-112
1102 8595	Connector - B17B-CZHK-B-1	85-119
1102 8596	Connector - B30B-CZW HK-B-1	81-113
1102 8597	Connector - B32B-CZWYK-B-1	81-114

Part No.	Description	Page and Index No.
1102 8598	Connector - B38B-CZW HK-B-1	81-115
1102 9053	Connector - FX2CA1-60P-1.27DSAL	81-116
1104 0588	DIP Socket - 28p	81-117
1104 0588	DIP Socket - 28P	85-120
1105 0005	Nylon Clamp - 3n	21-106
1105 0008	Nylon Clamp - 2n	33-110
1105 0016	Nylon Clamp - 4n	49-103
1105 0016	Nylon Clamp - 4n	21-111
1105 0016	Nylon Clamp - 4n	43-105
1105 0113	Edge - P108	43-106
1105 0119	Clamp - UAMS-05L-0(V0)	25-109
1105 0193	Nylon Stud	43-110
1105 0195	PCB Stud	55-104
1105 0199	Clamp	47-108
1105 0199	Clamp	11-101
1105 0199	Clamp	43-108
1105 0199	Clamp	35-101
1105 0199	Clamp	33-108
1105 0199	Clamp	23-108
1105 0199	Clamp	17-103
1105 0199	Clamp	27-108
1105 0199	Clamp	31-106
1105 0199	Clamp	39-103
1105 0199	Clamp	67-107
1105 0199	Clamp	15-106
1105 0229	Clamp	25-110
1105 0229	Clamp	21-108
1105 0229	Clamp	15-111
1105 0229	Clamp	39-110
1105 0229	Clamp	37-109
1105 0230	Clamp	23-107
1105 0230	Clamp	65-111
1105 0234	Clamp	27-114
1105 0243	Wire Saddle	63-110
1105 0283	Clamp	61-106

Part No.	Description	Page and Index No.
1105 0283	Clamp	27-116
1105 0291	Harness Clamp - LWS-3S	17-106
1105 0291	Harness Clamp - LWS-3S	75-103
1105 0291	Harness Clamp - LWS-3S	65-110
1105 0292	Wire Saddle	75-107
1105 0292	Wire Saddle	73-107
1105 0310	Harness Clamp - LWS-1S	11-102
1105 0310	Harness Clamp - LWS-1S	49-108
1105 0310	Harness Clamp - LWS-1S	65-109
1105 0310	Harness Clamp - LWS-1S	67-104
1105 0310	Harness Clamp - LWS-1S	47-111
1105 0310	Harness Clamp - LWS-1S	73-104
1105 0310	Harness Clamp - LWS-1S	21-109
1105 0310	Harness Clamp - LWS-1S	63-112
1105 0310	Harness Clamp - LWS-1S	25-111
1105 0310	Harness Clamp - LWS-1S	75-108
1105 0310	Harness Clamp - LWS-1S	9-109
1105 0316	Clamp	75-110
1105 0328	Harness Clamp - ES-0505	63-104
1105 0328	Harness Clamp - ES-0505	39-112
1105 0328	Harness Clamp - ES-0505	65-104
1105 0329	Clamp - ES-0510	43-107
1105 0329	Clamp - ES-0510	23-106
1105 0413	Harness Clamp	17-107
1105 0413	Harness Clamp	15-104
1105 0413	Harness Clamp	13-110
1105 0413	Harness Clamp	73-103
1105 0413	Harness Clamp	39-109
1105 0413	Harness Clamp	75-104
1105 0460	Clamp	53-105
1105 0460	Clamp	55-103
1105 0511	Harness Clamp - LWS-0306ZC	25-112
1105 0511	Harness Clamp - LWS-0306ZC	9-107
1107 0868	Fuse - 5A 125V	73-105
1107 0874	Fuse - 10A 125V	73-108

Part No.	Description	Page and Index No.
1107 0880	Fuse - 6.3A 250V	73-111
1107 1014	Fuse - MMCT-10A	81-118
1204 2356	Microswitch - AM51612A531	11-107
1204 2373	Key Board Switch - SKQDPA	81-119
1204 2501	Main Switch	11-105
1400 0392	Transistor - DTC114EK	81-120
1400 0455	Transistor - 2SC2873Y	85-121
1400 0720	Transistor - DTC143ZSA	85-122
1400 0785	Transistor - DTD113ZK	85-123
1401 0400	Transistor Array - SLA4060	85-124
1401 0835	Diode - 1SS190	85-125
1402 0780	Diode - 200V - 1A - 11ES2	85-126
1402 1058	Diode Array - DA114	81-121
1402 1206	Zener Diode	85-127
1402 1342	Diode - 1SR154-400	85-128
1402 1491	Diode - RB471E	81-122
1403 0828	Diode - SEC1901C	81-123
1403 0829	Diode - SEC1201C	81-124
1403 0829	Diode - SEC1201C	85-129
1407 1600	TTLIC - SN74LS244NS	85-130
1407 1600	TTLIC - SN74LS244NS	81-125
1407 1605	TTLIC - SN74LS157NS	85-131
1407 1746	TTL - SN74LS240NS	85-132
1407 2187	TTLIC - SN74LS07NS	85-133
1407 2187	TTLIC - SN74LS07NS	81-126
1407 2219	IC - TD62003AP	85-134
1407 2231	IC - TD62308AF	85-135
1407 2247	TTL - SN74LS164NS	85-136
1407 2261	IC - NJM2902M	85-137
1407 3285	IC - TC74HC08AF	85-138
1407 3306	IC - TC74HC244AF	85-139
1407 3357	Comparator - BA10393F	81-127
1407 4300	IC - TC74VHC32F	81-128
1407 4315	IC - TE7751	85-140
1407 4321	IC - TC74VHC04F	81-129

Part No.	Description	Page and Index No.
1407 4323	TTL - TD74ABT244F	81-130
1407 4404	CMOS - 74VHC157 SOP	81-131
1407 4565	IC - TE6251	81-132
1407 4696	IC - M48T58Y-70PC1	81-133
1407 4715	IC - 74VHC138	81-134
1407 4718	IC - TC74VHC08F	81-135
1407 4794	IC - CMOS 74LCX244SJ	81-136
1407 4913	IC - 74VHC244	81-137
1407 5061	IC - Flash Memory - 16MX8/16 70NS	81-138
1407 5084	CMOS Logic - 74VHC11F SOP	81-139
1407 5162	IC - HD6412350F20	81-140
1407 5162	IC - HD6412350F20	85-141
1407 5331	IC - TC7MB3245FK	81-141
1407 5381	CMOS LOGIC - SN74AHC1G126DCK	81-142
1408 0575	IC - M51957BFP	81-143
1408 0575	IC - M51957BFP	85-142
1408 0595	IC - NJM2904M	85-143
1408 0810	IC - BA10358F	81-144
1408 0827	IC - TA8429H	85-144
1408 1204	IC - TA8083P	85-145
1408 1308	Regulator - PQ3RF33	81-145
1408 1408	IC - STK672-060	85-146
1408 1410	IC - STK672-120	85-147
1408 1503	IC - STK672-080	85-148
1503 0252	Crystal Resonator - 14.7456Mhz	85-149
1503 0820	Oscillator - 29.4912mhz	81-146
1503 0863	Oscillator - 14.7456mhz	81-147
1503 0871	Oscillator - 44mhz	81-148
1601 7752	Resistor Array - 10K $\Omega$ $\pm$ 5%	85-150
1601 7752	Resistor Array - 10K $\Omega$ $\pm$ 5%	81-149
1601 7791	Resistor Array - 1K $\Omega$ $\pm$ 5%	81-150
1601 7814	Resistor - 3.3K $\Omega$ $\pm$ 5%	81-151
1601 7867	Resistor - 33 $\Omega$ $\pm$ 5% 1/16W	85-151
1601 7867	Resistor - 33 $\Omega$ $\pm$ 5% 1/16W	81-152
1601 8147	Variable Resistor - 10K $\Omega$ 0.5W	85-152

Part No.	Description	Page and Index No.
1601 8182	Resistor - 500KORM 0.5W	85-153
1601 8186	Variable Resistor - 200K $\Omega$	85-154
1602 0987	Capacitor & Coil - 270pF 100V	85-155
1602 7011	Capacitor - 270pF $\pm 20\%$ 50V	85-156
1604 1475	Capacitor - 100 $\mu$ F $\pm 20\%$ 50V	85-157
1604 4333	Capacitor - 100 $\mu$ F $\pm 20\%$ 10V	85-158
1605 0577	Capacitor - 0.33 $\mu$ F +80-20%	81-153
1605 0781	Capacitor - 5pF 50V	81-154
1605 0850	Capacitor	85-159
1606 1985	Capacitor - 0.033 $\mu$ F $\pm 5\%$ 50V	85-160
1606 1986	Capacitor - 0.1 $\mu$ F $\pm 5\%$ 16V	85-161
1607 0622	Ferrite Core TFC16816	73-106
1607 0638	Ferrite Core - TFC25-15-12	73-110
1607 0815	BLM41P600SPB	81-155
1607 0906	EMI Filter - ACF321825-101	81-156
1607 1018	Filter - ACB1608H-120	81-157
1610 1220	Resistor - 120 $\Omega$ $\pm 5\%$ 1W	81-158
1610 1234	Resistor - 47 $\Omega$ 1W $\pm 5\%$	85-162
1630 1121	Resistor - 120 $\Omega$ $\pm 5\%$ 1/8W	85-163
1630 2221	Resistor - 220 $\Omega$	85-164
1630 3100	Resistor - 10 $\Omega$ $\pm 5\%$ 1/10W	85-165
1630 3151	Resistor - 150 $\Omega$ $\pm 5\%$ 1/10W	85-166
1630 3221	Resistor - 220 $\Omega$ $\pm 5\%$ 1/10W	85-167
1630 3222	Resistor - 2.2K $\Omega$ 1/10W $\pm 5\%$	85-168
1630 3332	Resistor - 3.3K $\Omega$ 1/10W $\pm 5\%$	85-169
1630 3471	Resistor - 470 $\Omega$ - 1/10W	85-170
1630 3472	Resistor - 4.7K $\Omega$ 1/10W $\pm 5\%$	85-171
1630 3474	Resistor - 470K $\Omega$ $\pm 5\%$ 1/10W	85-172
1630 3682	Resistor - 6.8k $\Omega$ - 1/10W	85-173
1630 3683	Resistor - 68K $\Omega$ $\pm 5\%$ 1/10W	85-174
1630 3824	Resistor - 820K $\Omega$ $\pm 5\%$ 1/10W	85-175
1630 4102	Resistor - 1.0K $\Omega$ $\pm 5\%$ 1/16W	85-176
1630 4103	Resistor - 10K $\Omega$ $\pm 5\%$ 1/16W	85-177
1630 4105	Resistor - 1.0M $\Omega$ $\pm 5\%$ 1/16W	85-178
1630 4153	Resistor - 15K $\Omega$ $\pm 5\%$ 1/16W	85-179

Part No.	Description	Page and Index No.
1630 4222	Resistor - 2.2K $\Omega$ $\pm 5\%$	85-180
1630 4243	Resistor - 24K $\Omega$ $\pm 5\%$ 1/16W	85-181
1630 4562	Resistor - 5.6k $\Omega$ - $\pm 5\%$ - 1/16W	85-182
1630 4821	Resistor - 820 $\Omega$ $\pm 5\%$ 1/16W	85-183
1633 0000	Resistor - 0 $\Omega$ 1/10W	85-184
1633 0000	Resistor - 0 $\Omega$ 1/10W	81-159
1633 6200	Resistor - 620 $\Omega$ - 1/10W	85-185
1634 1000	Resistor - 100 $\Omega$ $\pm 1\%$ 1/16W	85-186
1634 1001	Resistor - 1K $\Omega$ $\pm 5\%$ 1/16W	85-187
1634 1002	Resistor - 10 $\Omega$ $\pm 5\%$ 1/16W	85-188
1634 1502	Resistor - 15K $\Omega$ $\pm 1\%$ 1/16W	85-189
1634 1600	Resistor - 160 $\Omega$ $\pm 1\%$ 1/16W	85-190
1634 2000	Resistor - 200 $\Omega$ $\pm 1\%$ 1/16W	85-191
1634 4301	Resistor - 4.3K $\Omega$ $\pm 1\%$ 1/8W	85-192
1634 4700	Resistor - 470 $\Omega$ $\pm 1\%$ 1/16W	85-193
1634 6802	Resistor - 68K $\Omega$ $\pm 1\%$ 1/16W	85-194
1634 7501	Resistor - 7.50k $\Omega$ $\pm 1\%$ 1/16W	85-195
1634 8200	Resistor - 820 $\Omega$ $\pm 1\%$ 1/16W	85-196
1640 5101	Capacitor - 100 $\mu$ F $\pm 20\%$ 50V	85-197
1644 0470	Capacitor - 47 $\mu$ F $\pm 20\%$ 10V	81-160
1644 1100	Capacitor - 10 $\mu$ F $\pm 20\%$ 16V	85-198
1644 2100	Capacitor - 10 $\mu$ F $\pm 20\%$ 25V	81-161
1644 5100	Capacitor - 10 $\mu$ F $\pm 20\%$ 50V	85-199
1644 5109	Capacitor - 1 $\mu$ F $\pm 20\%$ 25V	81-162
1650 2100	Chip Resistor - 10 $\Omega$ $\pm 5\%$ 1/4W	81-163
1650 4101	Resistor - 100 $\Omega$ $\pm 5\%$ 1/10W	81-164
1650 4102	Resistor - 1K $\Omega$ $\pm 5\%$ 1/10W	81-165
1650 4103	Resistor - 10K $\Omega$ $\pm 5\%$ 1/10W	81-166
1650 4105	Resistor - 1M $\Omega$ $\pm 5\%$ 1/10W	81-167
1650 4271	Resistor - 270 $\Omega$ $\pm 5\%$ 1/10W	81-168
1650 4330	Chip Resistor - 33 $\Omega$ $\pm 5\%$ 1/10W	81-169
1650 4332	Resistor - 3.3K $\Omega$ $\pm 5\%$ 1/10W	81-170
1650 4471	Resistor - 470 $\Omega$ $\pm 5\%$ 1/10W	81-171
1650 4821	Chip Resistor - 820 $\Omega$ $\pm 5\%$ 1/10W	81-172
1653 1002	Chip Resistor - 10K $\Omega$ $\pm 1\%$ 1/8W	81-173

Part No.	Description	Page and Index No.
1653 3741	Chip Resistor -3.74K $\Omega$ $\pm$ 1% 1/8W	81-174
1654 1002	Resistor - 10K $\Omega$ $\pm$ 1%1/10W	81-175
1654 3002	Resistor - 30K $\Omega$ $\pm$ 1%1/10W	81-176
1654 3301	Chip Resistor - 3.3k $\Omega$ $\pm$ 1% 1/10W 1608	81-177
1654 5602	Chip Resistor - 56K $\Omega$ $\pm$ 1% 1/10W	81-178
1655 1001	Chip Resistor - 1K $\Omega$ $\pm$ 1% 1/16W	81-179
1655 1911	Chip Resistor - 1.91K $\Omega$ $\pm$ 1% 1/16W	81-180
1655 8871	Chip Resistor - 8.87K $\Omega$ $\pm$ 1% 1/16W	81-181
1660 0100	Capacitor - 10PF $\pm$ 0.5pF 50V	85-200
1660 0100	Capacitor - 10PF $\pm$ 0.5pF 50V	81-182
1660 2101	Capacitor - 100pF - $\pm$ 10% - 50V	81-183
1660 2470	Capacitor - 47pF $\pm$ 5% 50V	85-201
1660 2470	Capacitor - 47pF $\pm$ 5% 50V	81-184
1660 2471	Capacitor - 470pF - $\pm$ 5% - 50V	81-185
1660 2471	Capacitor - 470pF - $\pm$ 5% - 50V	85-202
1660 4103	Capacitor - 10000pF - $\pm$ 10% - 50V	81-186
1660 4103	Capacitor - 10000pF - $\pm$ 10% - 50V	85-203
1660 8104	Capacitor - 0.1 $\mu$ F +80-20% 25V	81-187
1660 8104	Capacitor - 0.1 $\mu$ F +80-20% 25V	85-204
1902 0040	SRAM 256kx8 70ns G9	81-188
1902 0042	RAM-1M X8 70ns TSOP G2	81-189
1904 0013	SRAM - 256k X8 20ns G2	81-190
1907 0007	SDRAM - 64k 1MX 16X4 100MHz G3	81-191

Part No.	Description	Page and Index No.
5053 0223	Bushing - 8mm	21- 15
5053 0223	Bushing - 8mm	23- 18
5053 0223	Bushing - 8mm	9- 8
5053 0419	Bushing - 10mm	15- 2
5053 0447	Bushing - 6mm	15- 19
5053 0447	Bushing - 6mm	31- 2
5054 0536	Magnet Catch Ass'y	49- 6
5054 0536	Magnet Catch Ass'y	43- 12
5054 0536	Magnet Catch Ass'y	19- 10
5070 0923	Spring Washer - Rotating Table	19- 12
5151 1009	Shoulder Screw - M4	21- 16
5205 5250	LED Sensor Type S	31- 21
5219 1957	Stepped Screw - M4	23- 31
5304 1639	Bushing - 8mm	33- 5
5324 1658	Bushing- 4x8x4.5mm	39- 4
5350 1754	Stud - M5x4	45- 18
5419 5714	Stepped Screw - M4	23- 5
5419 5714	Stepped Screw - M4	25- 22
5442 1924	Exposure Glass Cushion	53- 3
5443 2713	Wave Washer	19- 37
5447 2681	Snap Ring	69- 21
5447 2681	Snap Ring	17- 7
5506 1536	Screw - M4X6	19- 38
5600 1403	Ball	47- 13
5606 2310	Roller	21- 5
5607 3927	Stepped Screw - M3x8	21- 17
5875 2088	Shoulder Screw - M4	43- 14

